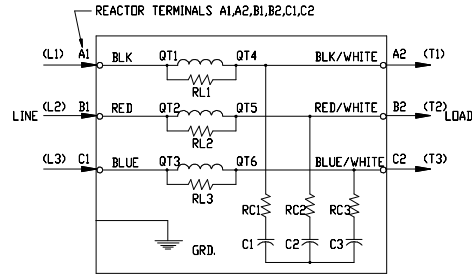


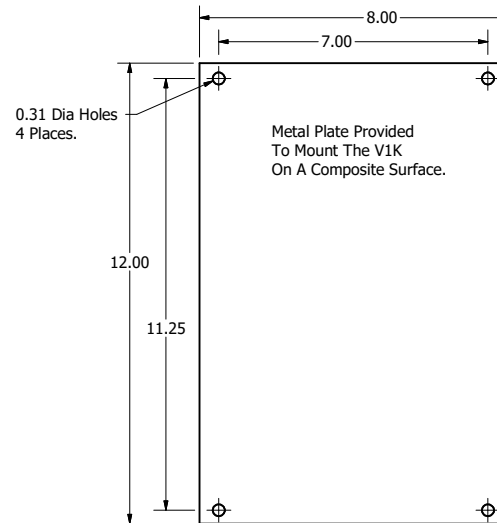
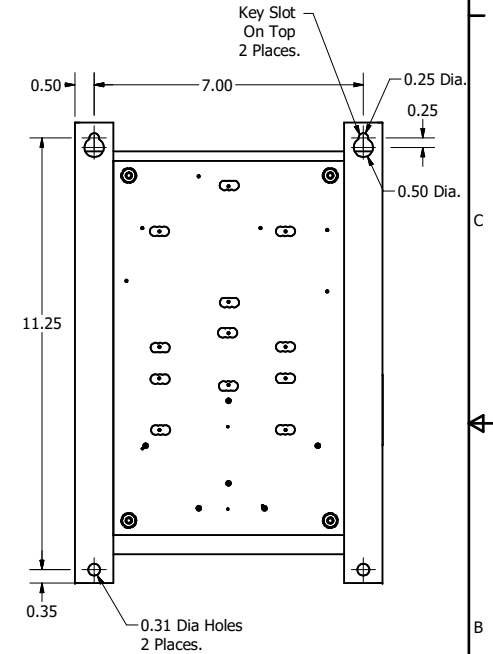
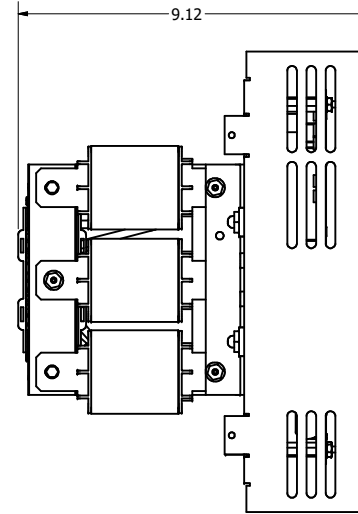
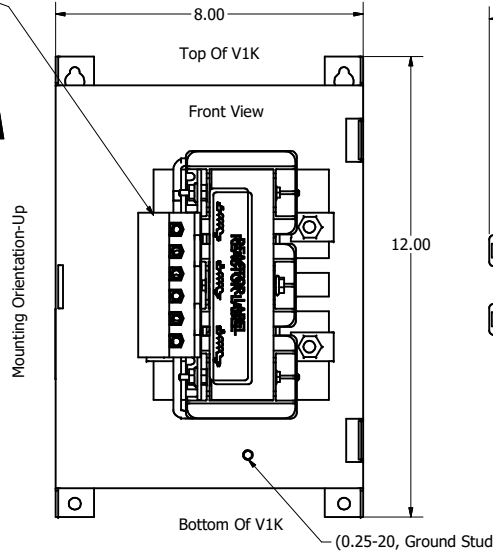
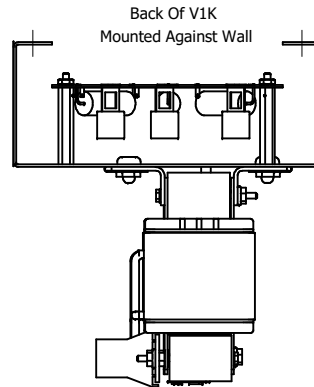
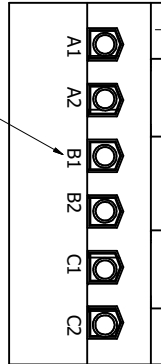
See V1K Installation Guide For Terminal Wire Size And Torque Information.  
 Note: Maintain Clearance of 3 Inches On All Sides To Other Equipment.

V1K Part Number	Max Voltage	Amps	Phase	Weight (LBS)
V1K80A00	600	80	3	23
V1K80A00EX	600	80	3	23



REACTOR AND BOARD ASSEMBLY CONNECTIONS

(Customer Connections) Markings On Terminal Block For Reference Only.



Customer Is Responsible For Installation to Meet All National And Local Electrical Codes.

Material(s) Shall be RoHS Compliant

TCI, LLC CLAIMS PROPRIETARY RIGHTS IN THE MATERIAL HEREIN DISCLOSED. IT IS SUPPLIED WITHOUT PREJUDICE TO ANY PATENT RIGHTS OF TCI AND MAY NOT BE REPRODUCED OR USED TO MANUFACTURE ANYTHING SHOWN THEREIN WITHOUT WRITTEN PERMISSION FROM TCI.				TOLERANCES (EXCEPT AS NOTED) DECIMAL .XX ± .25 .XXX ± .10 FRACTIONAL ± 1/16 ANGULAR ± 1°		W132 N10611 Grant Drive Germantown, WI 53022 <b>TCI</b> V1K, Open 80 Amps 102400DG	
HI	4658 Rated To Max Voltage	03/04/19	JRN	DRN BY	DSW	DATE	4/26/17
G	4030, Combine V1k Drawings	6/7/17	DSW	SCALE	TO FIT	REVISED	CS
NO	REVISION	DATE	BY	SHT 1 OF 1			