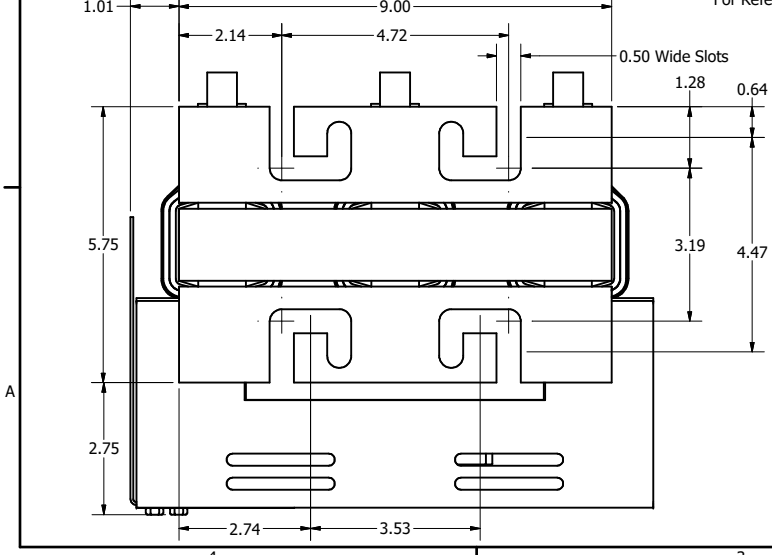
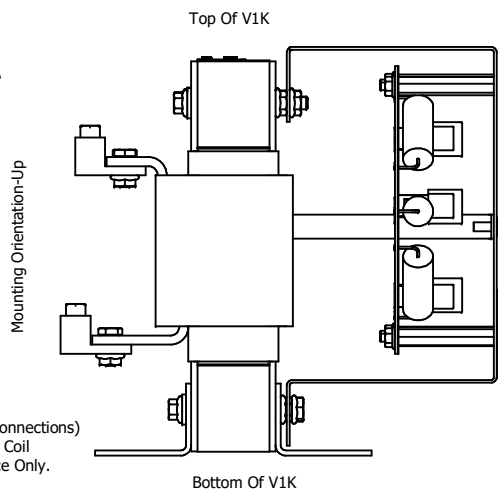
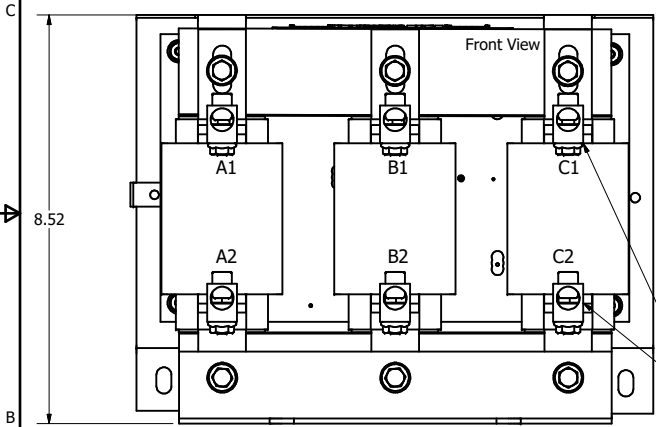
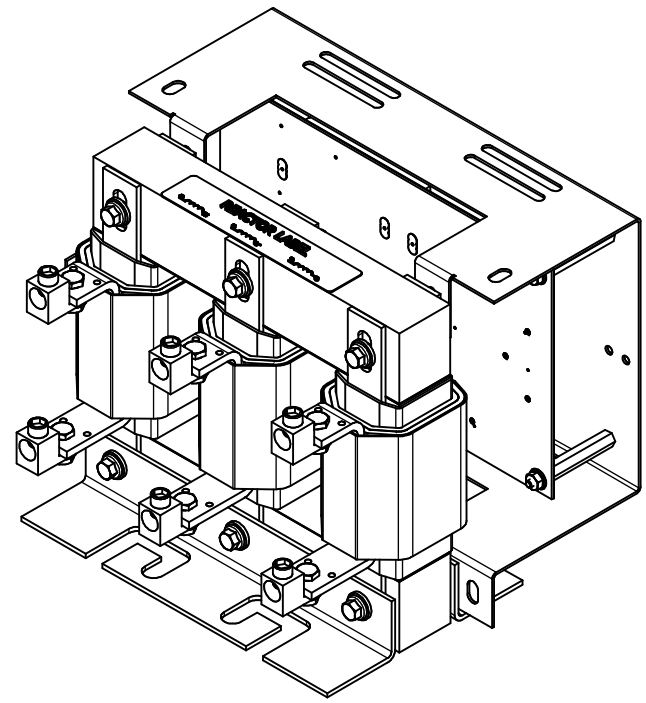
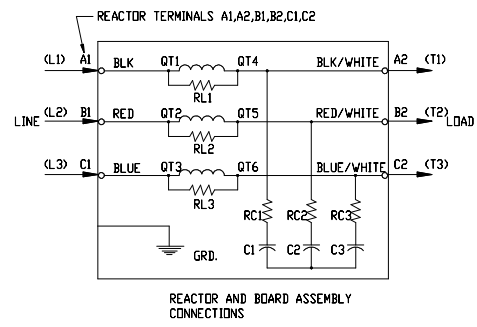


See V1K Installation Guide For Terminal Wire Size And Torque Information.
 Note: Maintain Clearance of 3 Inches On All Sides To Other Equipment.

V1K Part Number	Max Voltage	Amps	Phase	Weight (LBS)
V1K130A00	600	130	3	55
V1K130A00EX	600	130	3	55



(Customer Connections) Markings On Coil For Reference Only.

Customer Is Responsible For Installation to Meet All National And Local Electrical Codes.
 Material(s) Shall be RoHS Compliant

TCI, LLC CLAIMS PROPRIETARY RIGHTS IN THE MATERIAL HEREIN DISCLOSED. IT IS SUPPLIED WITHOUT PREJUDICE TO ANY PATENT RIGHTS OF TCI AND MAY NOT BE REPRODUCED OR USED TO MANUFACTURE ANYTHING SHOWN THEREIN WITHOUT WRITTEN PERMISSION FROM TCI.	TOLERANCES (EXCEPT AS NOTED) DECIMAL .XX ± .25 .XXX ± .10		W132 N10611 Grant Drive Germantown, WI 53022	
	FRACTIONAL 1/16 ANGLAR ± 1°			
	4658 Rated To Max Voltage 03/04/19 JRN	4030, Combine V1k Drawings 6/7/17 DSW		DATE 4/26/17
	REVISION	DATE		BY

V1K, Open
130 Amps

DRN BY: DSW DATE: 4/26/17
 SCALE: TO FIT

102651DG
 SHEET 1 OF 1