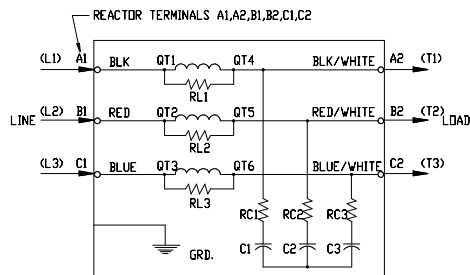
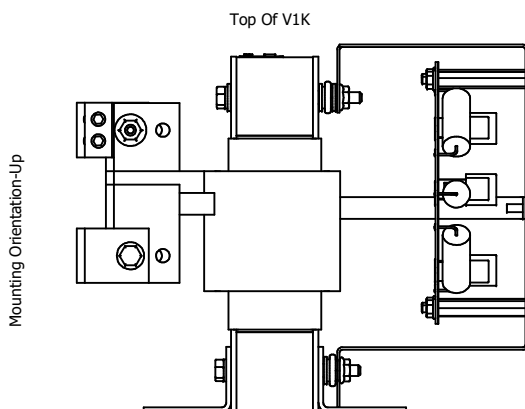
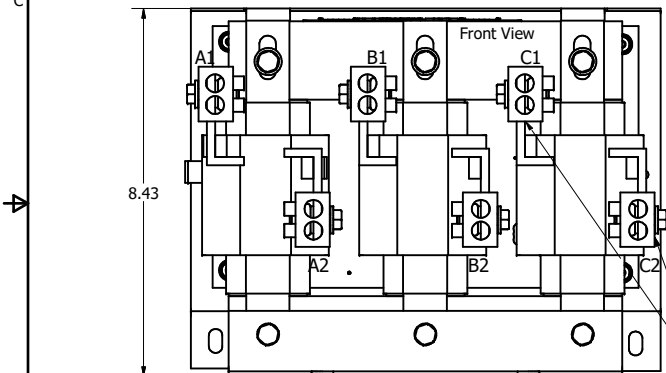
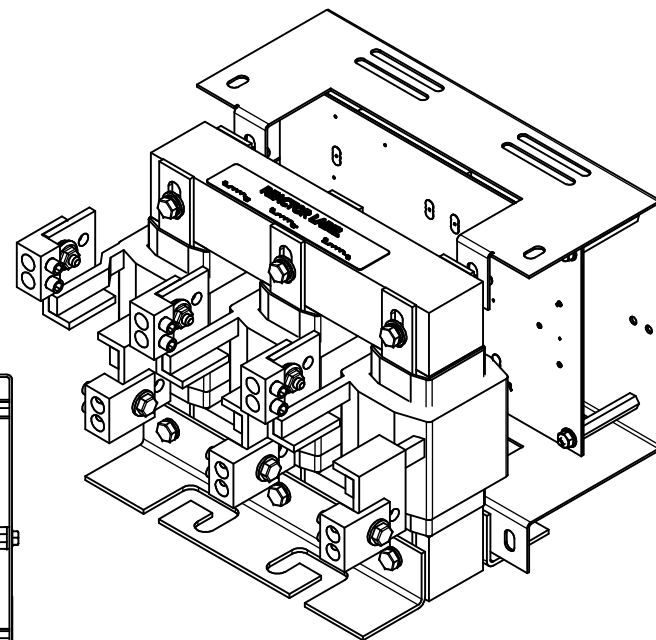


See V1K Installation Guide For Terminal Wire Size And Torque Information.  
 Note: Maintain Clearance of 3 Inches On All Sides To Other Equipment.

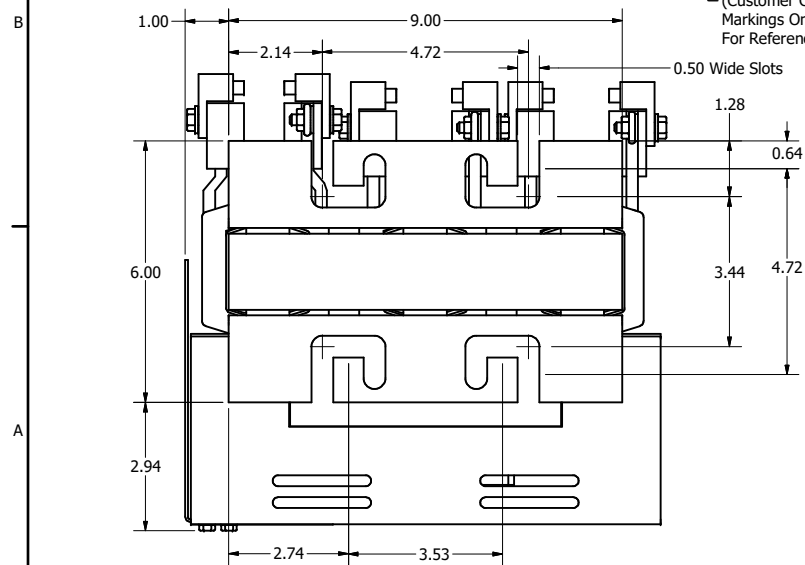


REACTOR AND BOARD ASSEMBLY CONNECTIONS

V1K Part Number	Max Voltage	Amps	Phase	Weight (LBS)
V1K200A00	600	200	3	60
V1K200A00EX	600	200	3	60
V1K250A00	600	250	3	65
V1K250A00EX	600	250	3	65



(Customer Connections) Markings On Coil For Reference Only.



Customer Is Responsible For Installation to Meet All National And Local Electrical Codes.  
 Material(s) Shall be RoHS Compliant

TCI, LLC CLAIMS PROPRIETARY RIGHTS IN THE MATERIAL HEREIN DISCLOSED. IT IS SUPPLIED WITHOUT PREJUDICE TO ANY PATENT RIGHTS OF TCI AND MAY NOT BE REPRODUCED OR USED TO MANUFACTURE ANYTHING SHOWN THEREIN WITHOUT WRITTEN PERMISSION FROM TCI.	G 4658 Rated To Max Voltage J 4030, Combine V1k Drawings NO REVISION	03/04/19 6/12/17 DATE	JRN DSW BY	TOLERANCES (EXCEPT AS NOTED) DECIMAL .XX ± .25 .XXX ± .10 FRACTIONAL ± 1/16 ANGULAR ± 1°	<b>TCI</b> W132 N10611 Grant Drive Germantown, WI 53022 <b>V1K, Open</b> <b>200 Amps and 250 Amps</b> DWN BY: DSW DATE: 4/26/17 SCALE: TO FIT DRAWN BY: CFC <b>102653DG</b> SHT 1 OF 1
--	--	-----------------------------	------------------	---	---