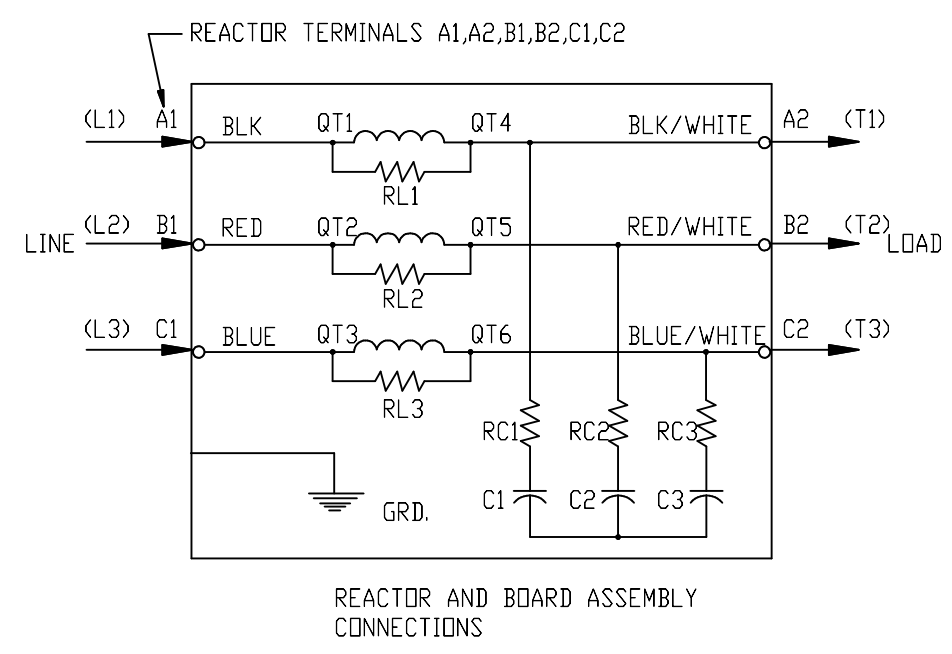
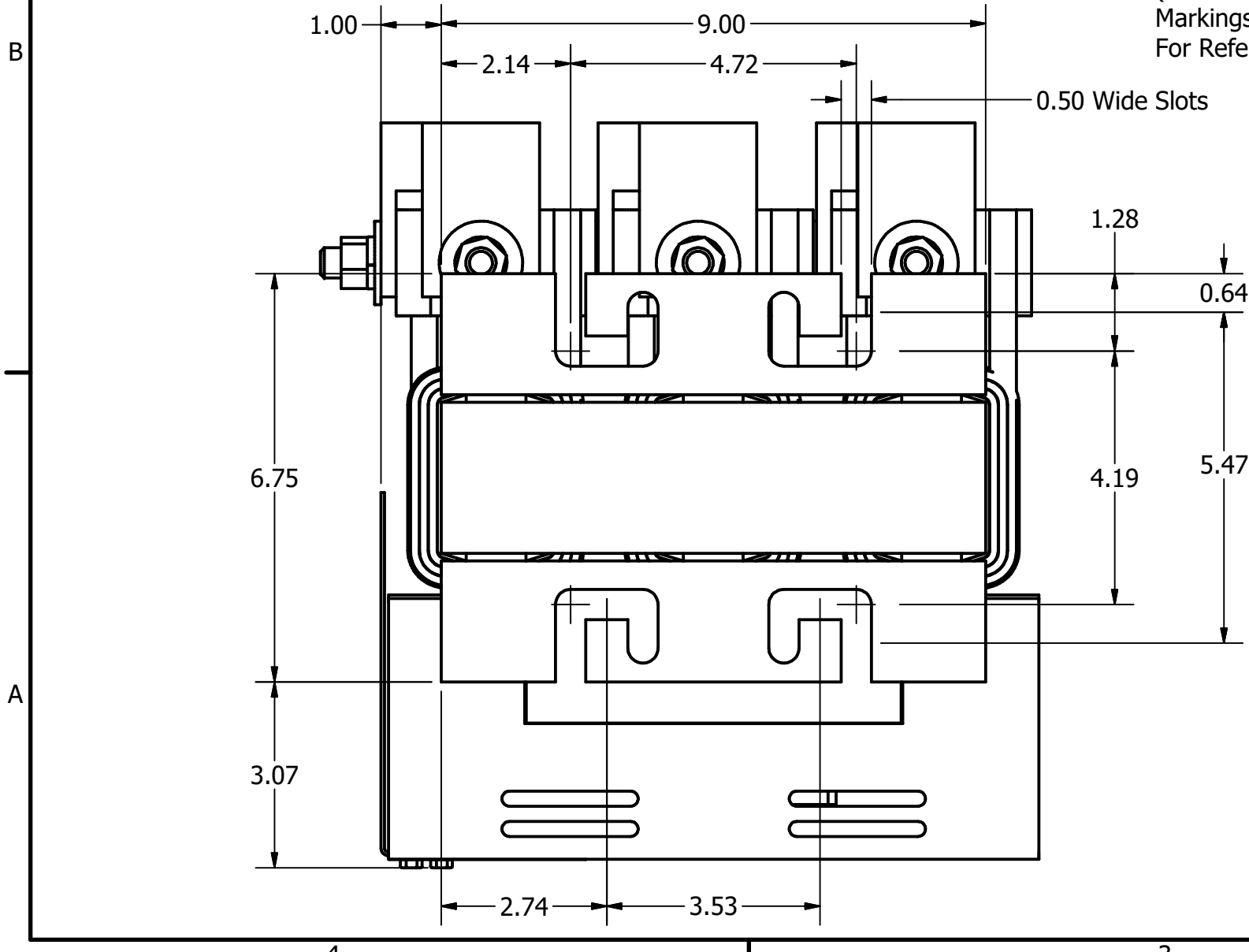
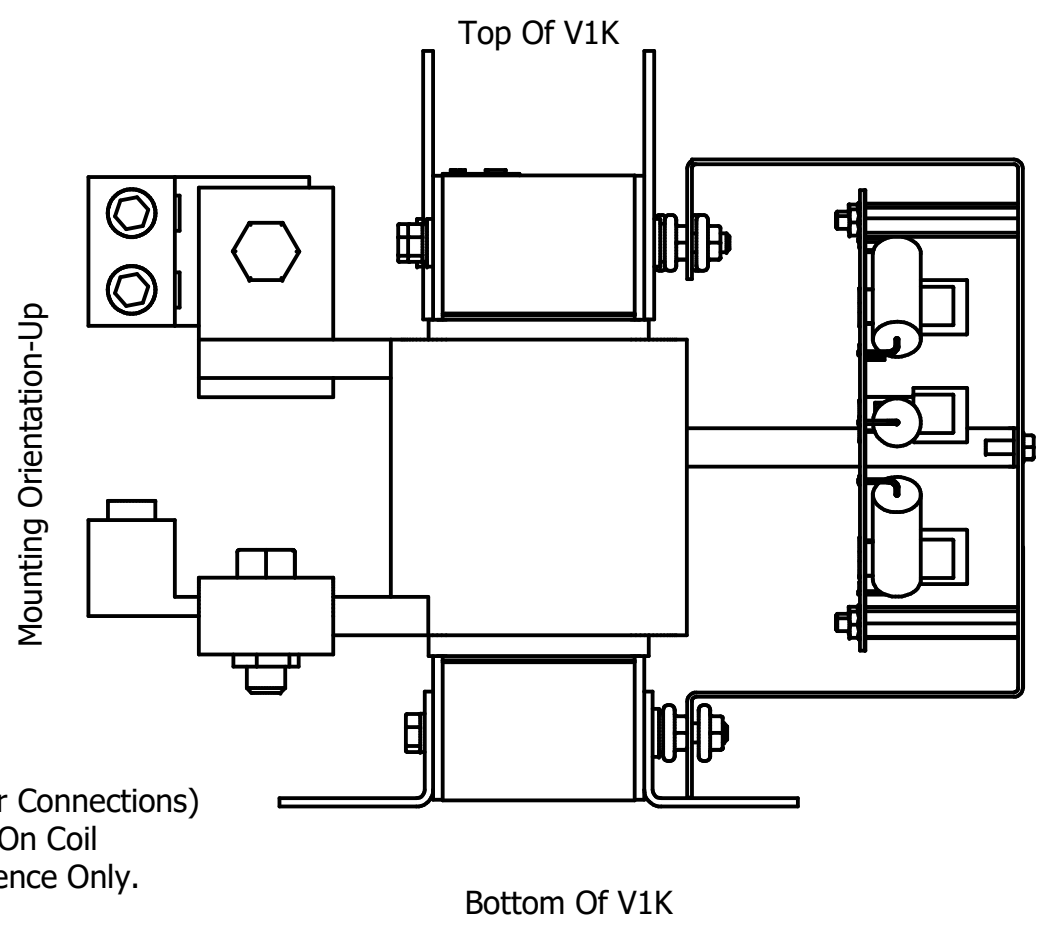
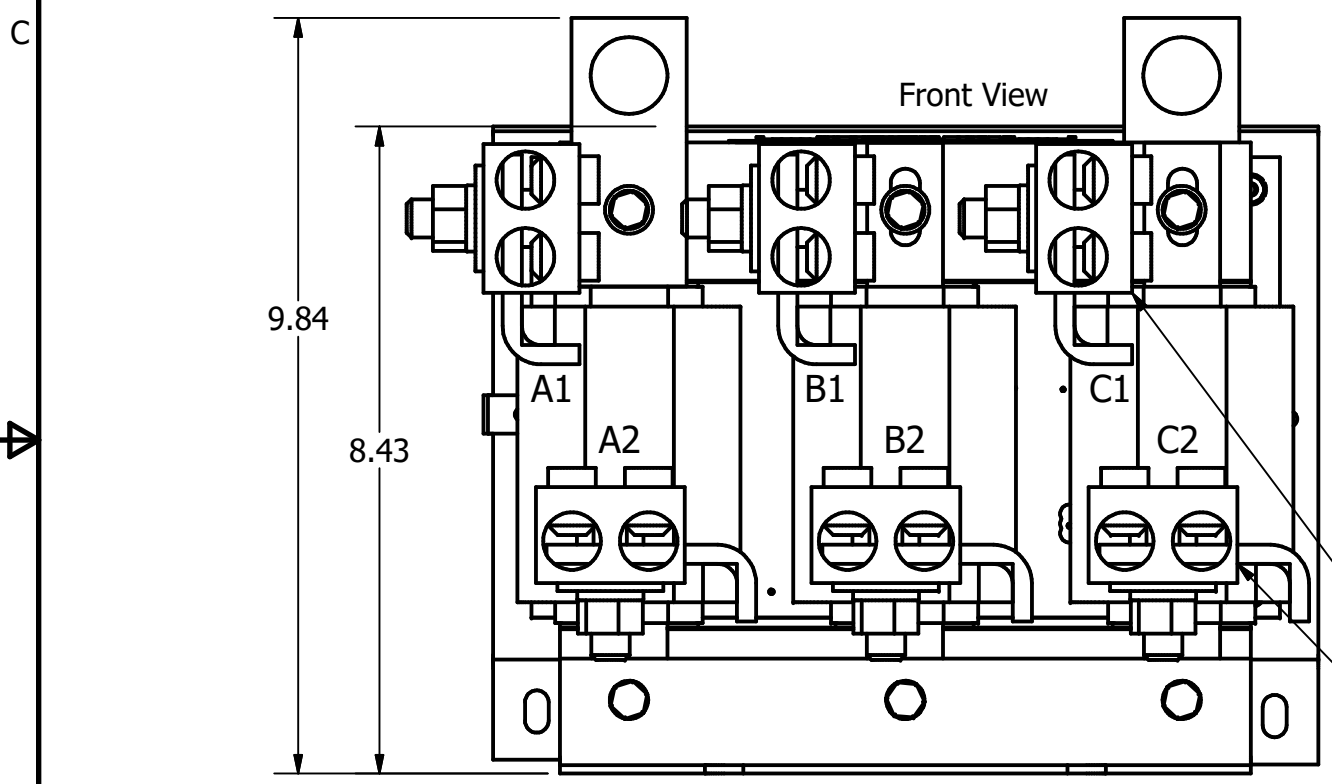
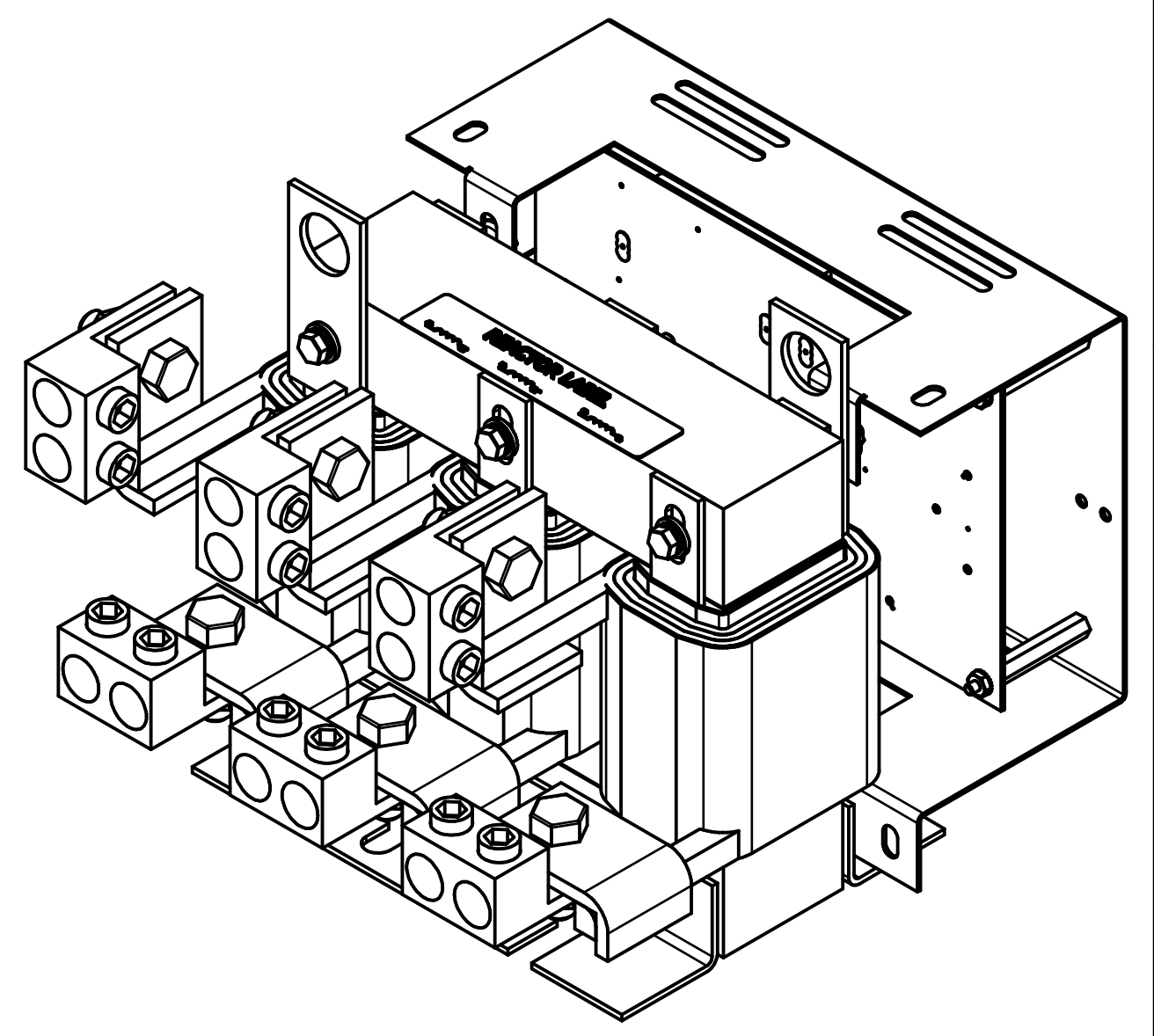


See V1K Installation Guide For Terminal Wire Size And Torque Information.  
 Note: Maintain Clearance of 3 Inches On All Sides To Other Equipment.



V1K Part Number	Max Voltage	Amps	Phase	Weight (LBS)
V1K305A00	600	305	3	80
V1K305A00EX	600	305	3	80
V1K362A00	600	362	3	80
V1K362A00EX	600	362	3	80



(Customer Connections) Markings On Coil For Reference Only.

Customer Is Responsible For Installation to Meet All National And Local Electrical Codes.  
 Material(s) Shall be RoHS Compliant

TCI, LLC CLAIMS PROPRIETARY RIGHTS IN THE MATERIAL HEREIN DISCLOSED. IT IS SUPPLIED WITHOUT PREJUDICE TO ANY PATENT RIGHTS OF TCI AND MAY NOT BE REPRODUCED OR USED TO MANUFACTURE ANYTHING SHOWN THEREIN WITHOUT WRITTEN PERMISSION FROM TCI.	TOLERANCES (EXCEPT AS NOTED)			W132 N10611 Grant Drive Germantown, WI 53022 <b>V1K, Open</b> 305 Amps And 362 Amps
	DECIMAL			
	.XX ± .25			
	.XXX ± .10			
I	4658 Rated To Max Voltage	03/04/19	JRN	FRACTIONAL ± 1/16
H	4030, Combine V1k Drawings	6/12/17	DSW	ANGULAR ± 1°
NO	REVISION	DATE	BY	SCALE: TO FIT

DRN BY: DSW DATE: 4/26/17  
 SCALE: TO FIT APRVD: 102654DG  
 SIZE: C SHT. 1 OF 1