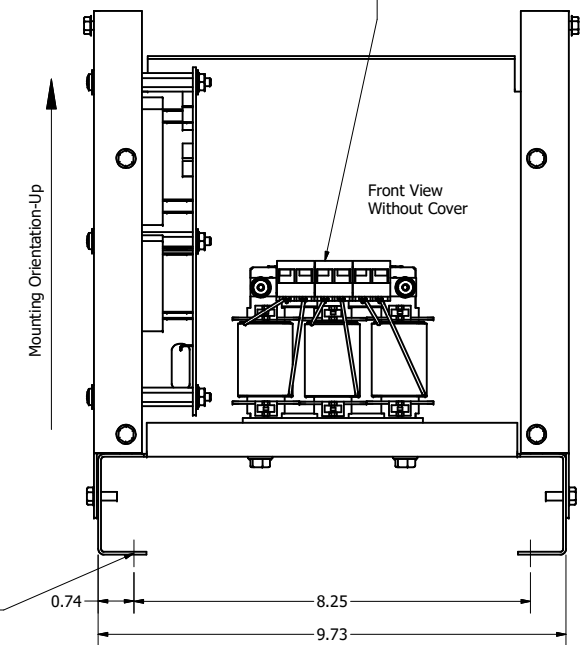
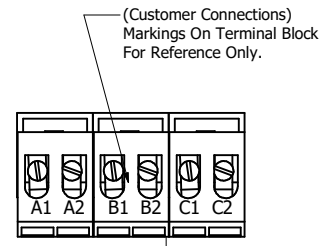
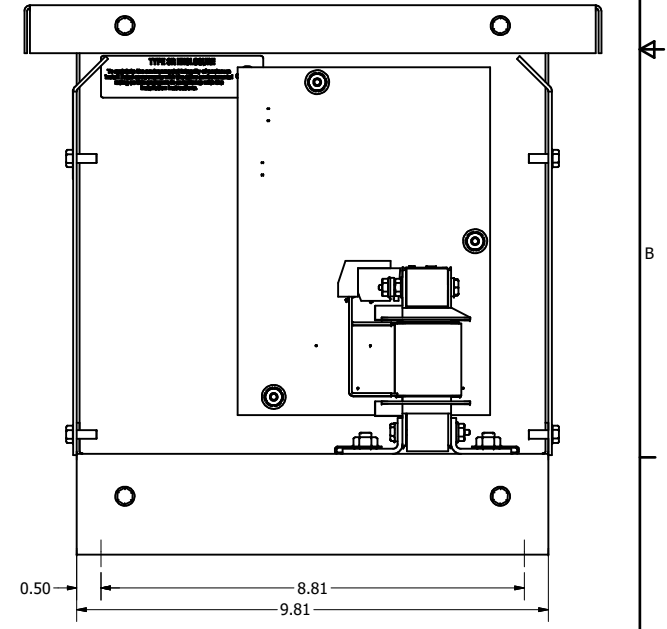
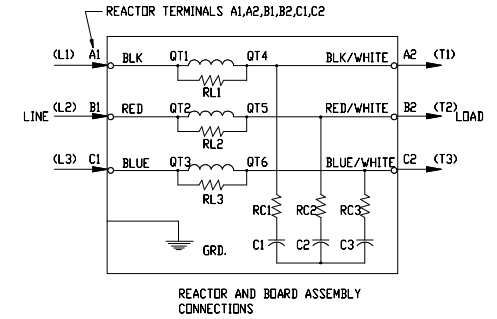


See V1K Installation Guide For Terminal Wire Size And Torque Information.
 Note: Maintain Clearance of 3 Inches On All Sides To Other Equipment.



V1K Part Number	Max Voltage	Amps	Phase	Weight (LBS)
V1K2A03	600	2	3	25
V1K2A03EX	600	2	3	25
V1K3A03	600	3	3	25
V1K3A03EX	600	3	3	25
V1K4A03	600	4	3	25
V1K4A03EX	600	4	3	25
V1K6A03	600	6	3	25
V1K6A03EX	600	6	3	25
V1K8A03	600	8	3	25
V1K8A03EX	600	8	3	25
V1K12A03	600	12	3	25
V1K12A03EX	600	12	3	25



Customer Is Responsible For Installation to Meet All National And Local Electrical Codes.
 NOTE: USE ONLY HUBS OR FITTINGS THAT COMPLY WITH UL514B FOR TYPE 3R ENCLOSURES

TCL, LLC CLAIMS PROPRIETARY RIGHTS IN THE MATERIAL HEREIN DISCLOSED. IT IS SUPPLIED WITHOUT PREJUDICE TO ANY PATENT RIGHTS OF TCL AND MAY NOT BE REPRODUCED OR USED TO MANUFACTURE ANYTHING SHOWN THEREIN WITHOUT WRITTEN PERMISSION FROM TCL.				TOLERANCES (EXCEPT AS NOTED) DECIMAL .XX ± .25 .XXX ± .10		W132 N10611 Grant Drive Germantown, WI 53022	
D	4658 Rated To Max Voltage	03/04/19	JRN	FRACTIONAL ± 1/16	V1K, TYPE 3R 2 Amps to 12 Amps		104215DG
C	4030, V1K Drawing Update	6/23/17	DSW	ANGULAR ± 1°	DATE: 4/26/17	REVISED	
NO	REVISION	DATE	BY	SCALE: TO FIT	DATE	REVISED	SHT 1 OF 1

Material(s) Shall be RoHS Compliant