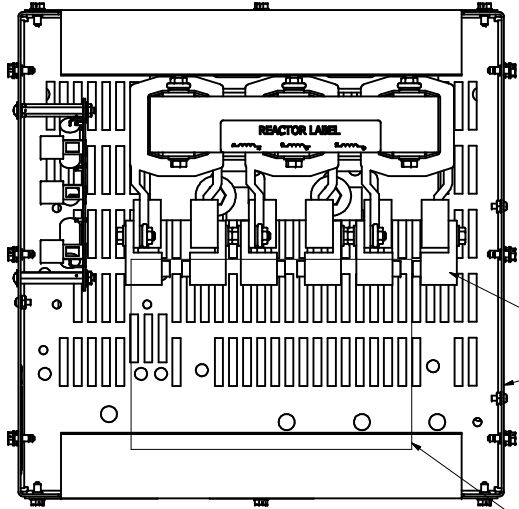
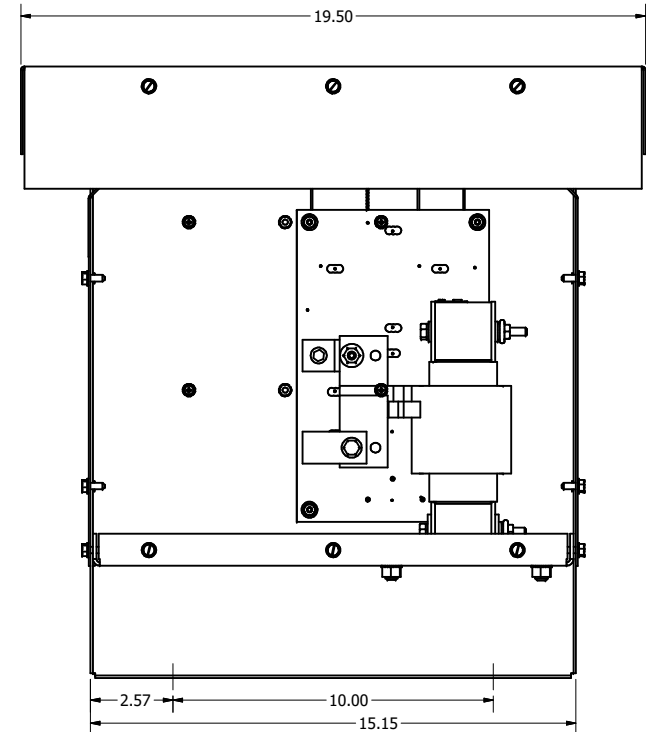
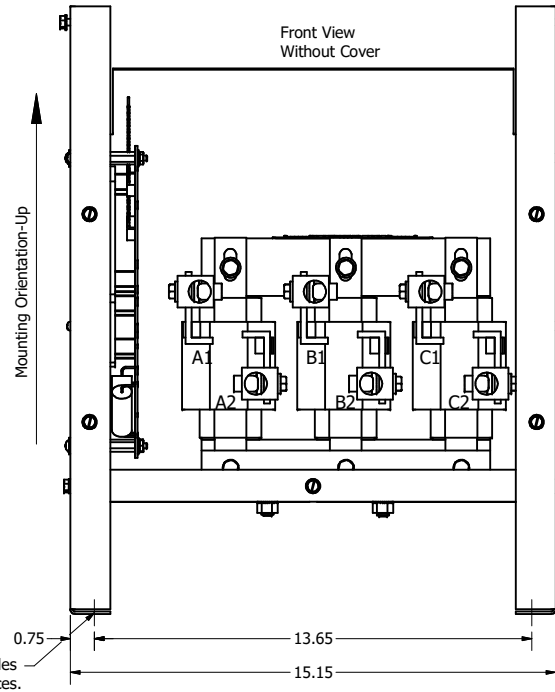
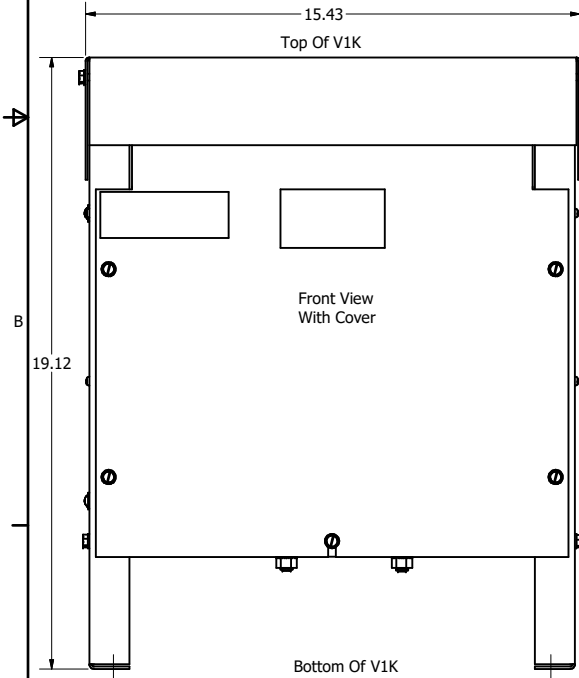
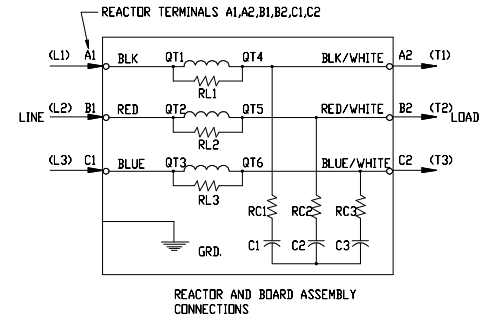


See V1K Installation Guide For Terminal Wire Size And Torque Information.
 Note: Maintain Clearance of 3 Inches On All Sides To Other Equipment.

V1K Part Number	Max Voltage	Amps	Phase	Weight (LBS)
V1K160A03	600	160	3	99
V1K160A03EX	600	160	3	99



(Customer Connections) Markings On Coil For Reference Only.
 Suggested Customer Entry Side Of Enclosure.
 Suggested Customer Entry Bottom Of Enclosure.



Material(s) Shall be RoHS Compliant

Customer Is Responsible For Installation to Meet All National And Local Electrical Codes.
 NOTE: USE ONLY HUBS OR FITTINGS THAT COMPLY WITH UL514B FOR TYPE 3R ENCLOSURES

TCI, LLC CLAIMS PROPRIETARY RIGHTS IN THE MATERIAL HEREIN DISCLOSED. IT IS SUPPLIED WITHOUT PREJUDICE TO ANY PATENT RIGHTS OF TCI AND MAY NOT BE REPRODUCED OR USED TO MANUFACTURE ANYTHING SHOWN THEREIN WITHOUT WRITTEN PERMISSION FROM TCI.

REV	DESCRIPTION	DATE	BY	SCALE
E	4658 Rated To Max Voltage	03/04/19	JRN	FRACTIONAL ± 1/16
D	4030, VIK DRAWING UPDATE	6/27/17	DSW	ANGULAR ± 1°
NO	REVISION	DATE	BY	± 1°

W132 N10611 Grant Drive
 Germantown, WI 53022
V1K, TYPE 3R
160 Amps
 DESIGNED BY: DSW DATE: 6/26/17
 DRAWN BY: DSW DATE: 6/26/17
 SCALE: TO FIT
104232DG
 SHEET 1 OF 1