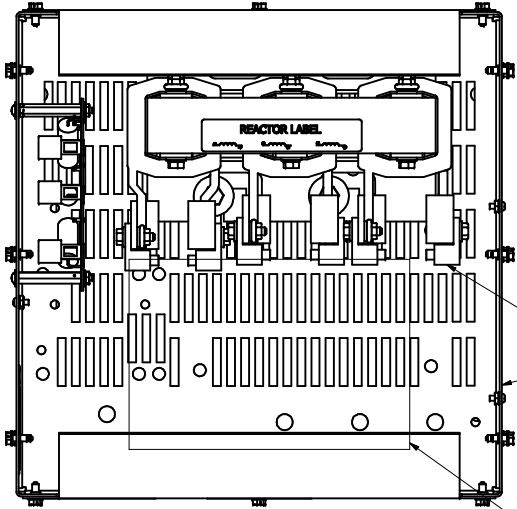
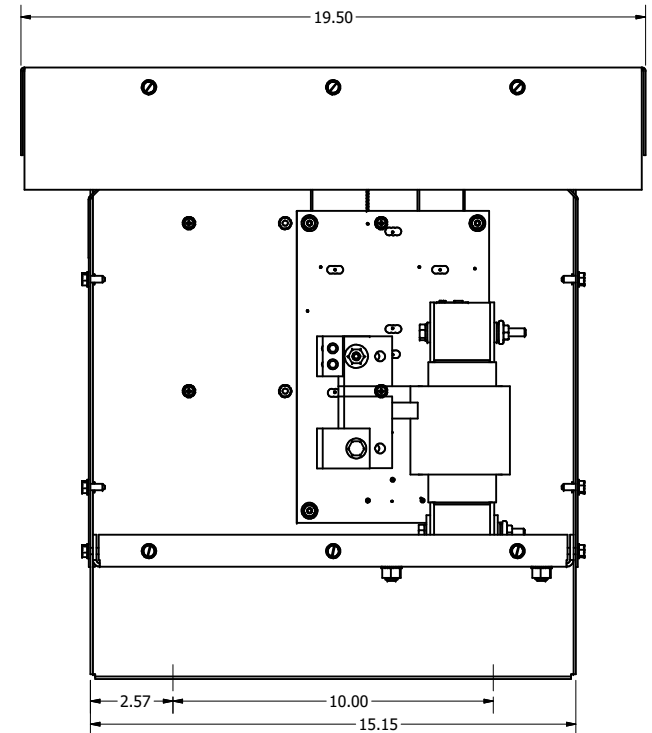
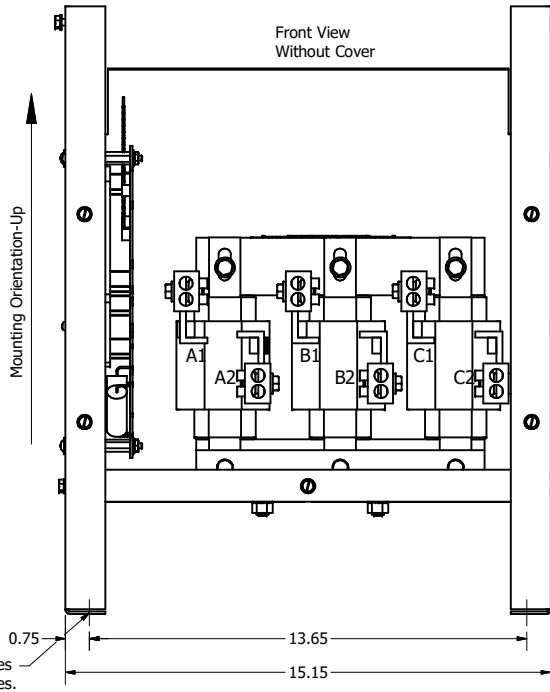
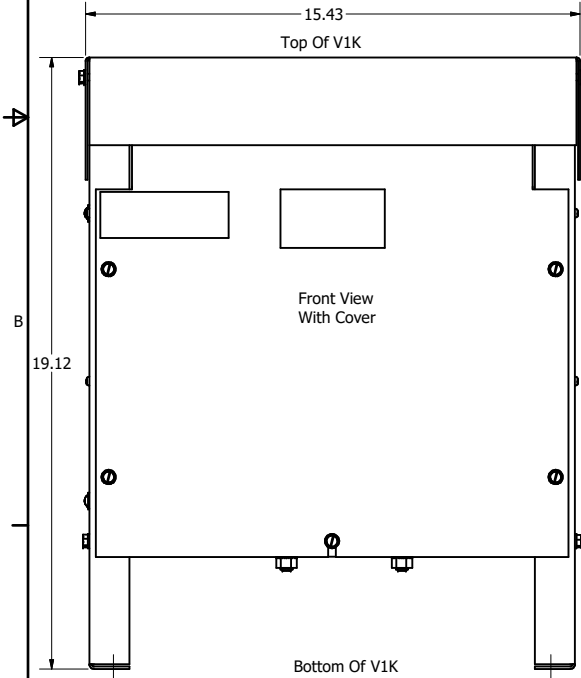
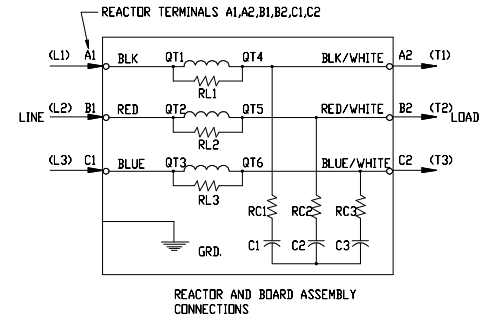


See V1K Installation Guide For Terminal Wire Size And Torque Information.  
 Note: Maintain Clearance of 3 Inches On All Sides To Other Equipment.

V1K Part Number	Max Voltage	Amps	Phase	Weight (LBS)
V1K200A03	600	200	3	99
V1K200A03EX	600	200	3	99
V1K250A03	600	250	3	99
V1K250A03EX	600	250	3	99



(Customer Connections) Markings On Coil For Reference Only.  
 Suggested Customer Entry Side Of Enclosure.  
 Suggested Customer Entry Bottom Of Enclosure.



Material(s) Shall be RoHS Compliant

Customer Is Responsible For Installation to Meet All National And Local Electrical Codes.  
 NOTE: USE ONLY HUBS OR FITTINGS THAT COMPLY WITH UL514B FOR TYPE 3R ENCLOSURES

TCl, LLC CLAIMS PROPRIETARY RIGHTS IN THE MATERIAL HEREIN DISCLOSED. IT IS SUPPLIED WITHOUT PREJUDICE TO ANY PATENT RIGHTS OF TCl AND MAY NOT BE REPRODUCED OR USED TO MANUFACTURE ANYTHING SHOWN THEREIN WITHOUT WRITTEN PERMISSION FROM TCl.

TOLERANCES (EXCEPT AS NOTED)	
DECIMAL	.XX ± .25 .XXX ± .10
FRACTIONAL	± 1/16
ANGULAR	± 1°

**TCl** W132 N10611 Grant Drive  
 Germantown, WI 53022

**V1K, TYPE 3R**  
 200 Amps, 250 Amps

DRN BY: DSW DATE: 6/26/17  
 SCALE: TO FIT

104233DG  
 SHEET 1 OF 1