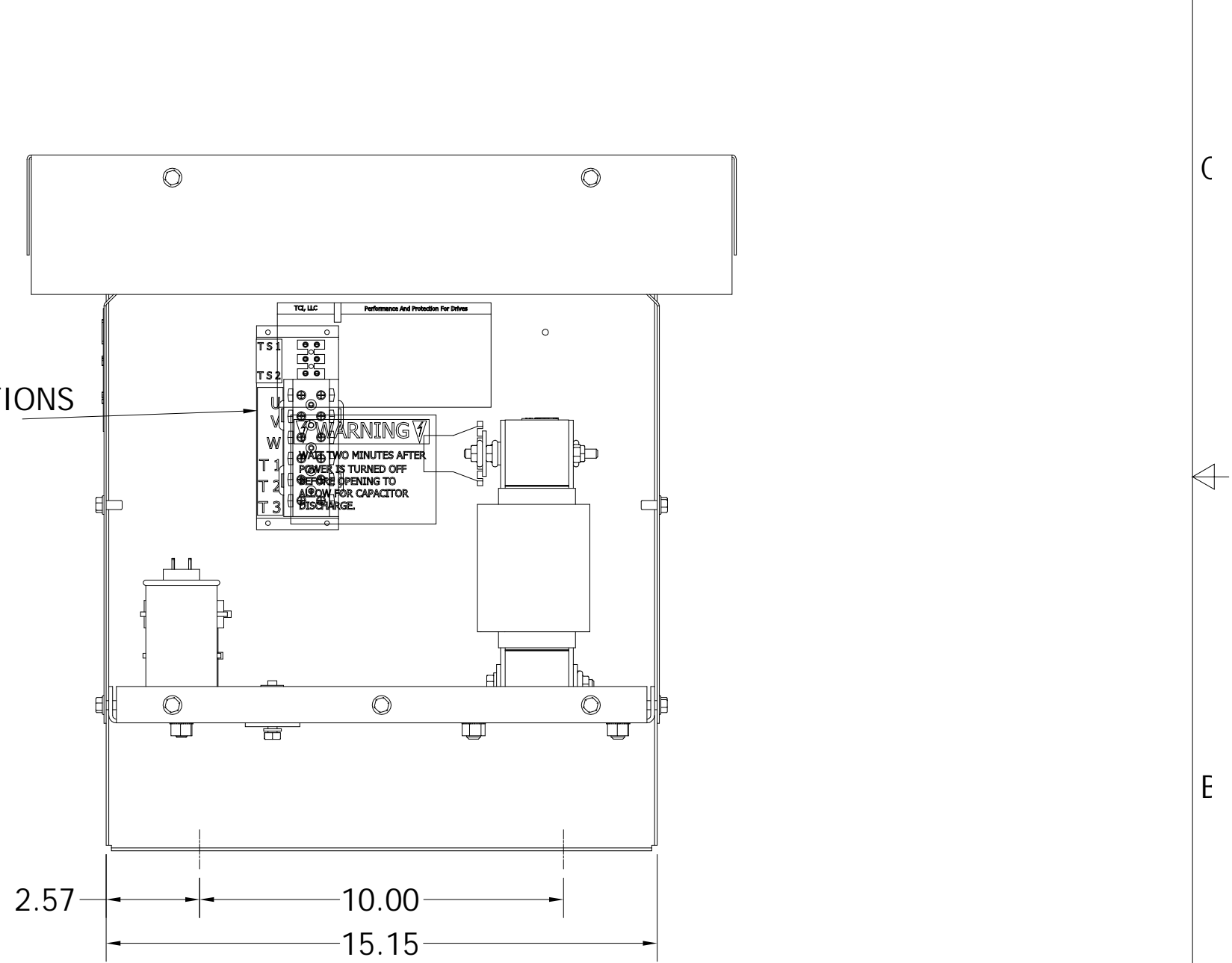
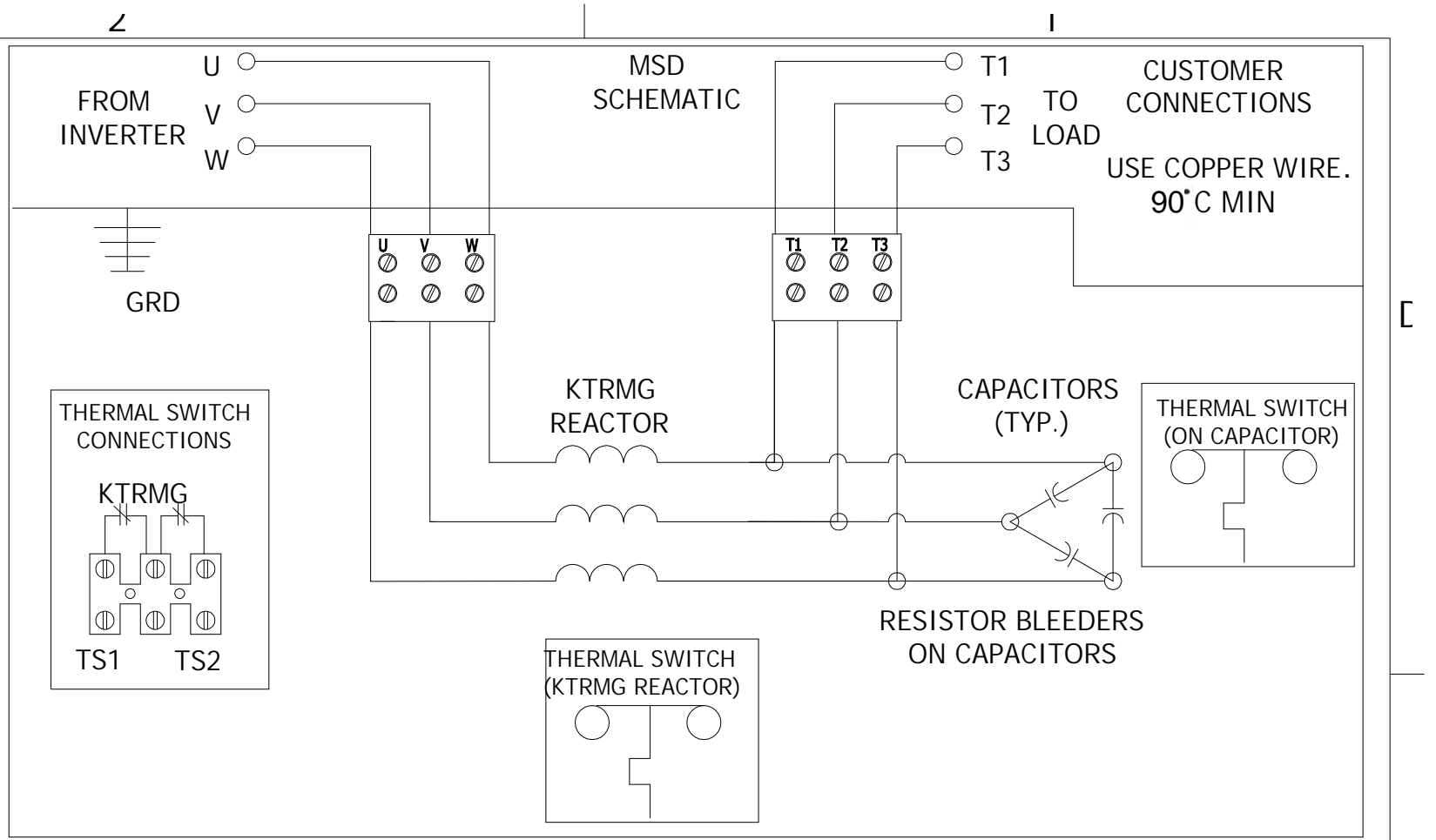


TERMINAL BLOCK TORQUE (LB-IN)
 WIRE RANGE: #1AWG. TO #4AWG.=(35LB-IN)
 #6AWG. TO #14AWG.=(30LB-IN)
 #16AWG. TO #22AWG.=(25LB-IN)

0.44 DIA HOLES
 4 PLACES.



MSD PART NUMBER	HP	VOLTAGE	CURRENT	WEIGHT
MSD0020C300	15	600V	20 AMPS	76LBS
MSD0025C300	20	600V	25 AMPS	76LBS
MSD0028C300	25	600V	28 AMPS	81LBS
MSD0035C300	30	600V	35 AMPS	85LBS

CUSTOMER IS RESPONSIBLE FOR INSTALLATION
 TO MEET ALL NATIONAL AND LOCAL ELECTRICAL CODES.

TOLERANCES (EXCEPT AS NOTED)		TCI® W132 N10611 Grant Drive Germantown, WI 53022	
DECIMAL		MSD 20 AMPS TO 35 AMPS MotorShield Sinewave Filter 600/3/60, Type 1/ 3R.	
.XX	+/- .25	DRN. BY	DATE
.XXX	+/- .10	BWM	4/4/16
FRACTIONAL		SCALE	APRVD.
+/- 1/16		1/4	
ANGULAR		DWG. No.	
+/- 1°		105802DG	
NO	REVISION	DATE	BY
		SHEET 1 OF 1	