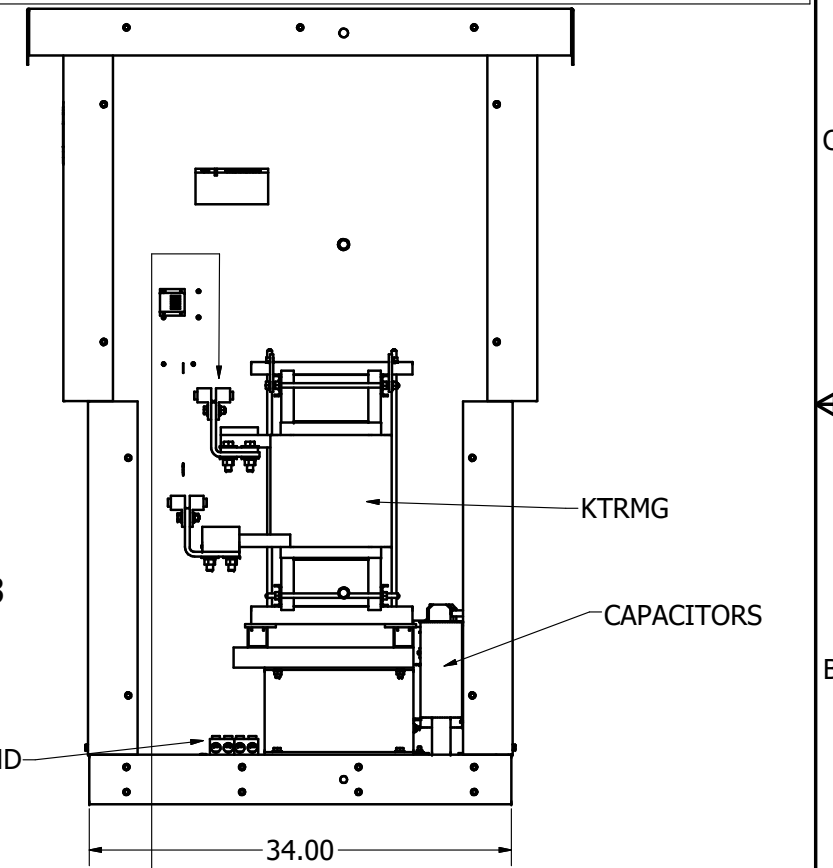
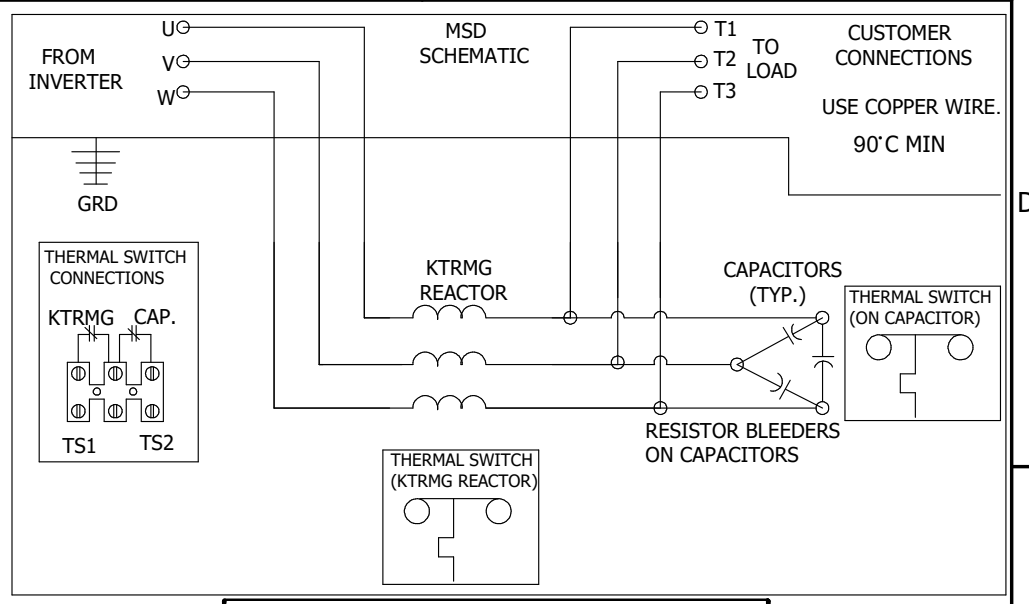
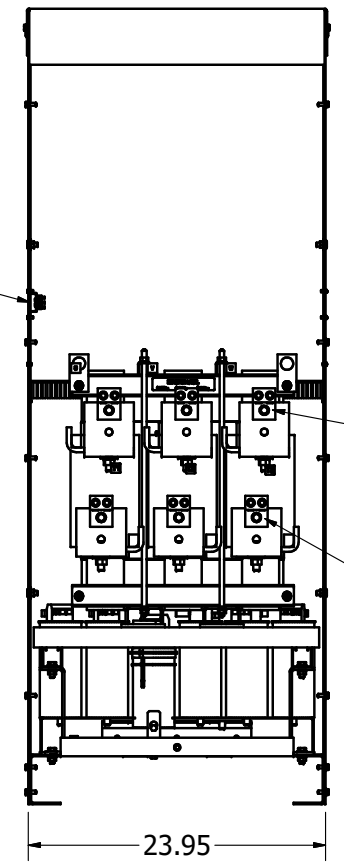
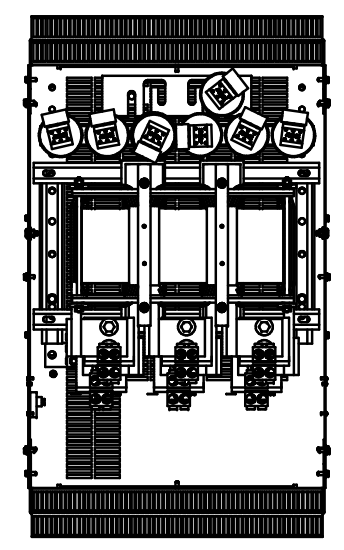


THERMAL SWITCH ASSEMBLY LOCATED ON SIDE OF ENCLOSURE.



MSD PART NUMBER	HP	VOLTAGE	CURRENT	WEIGHT	PRESSURE TERMINAL WIRE RANGE
MSN0850A300	700	480V	850 AMPS	850LBS	(4) 350MCM-6AWG

NOTE: FOR TERMINAL TORQUE SEE IOM MANUAL.

CUSTOMER IS RESPONSIBLE FOR INSTALLATION TO MEET ALL NATIONAL AND LOCAL ELECTRICAL CODES.

TOLERANCES (EXCEPT AS NOTED)		W132 N10611 Grant Drive Germantown, WI 53022	
DECIMAL	.XX +/- .03	<b>MSN0850A300</b> MotorShield Sinewave Filter 480/3/60, Type 1/3R.	
	.XXX +/- .01		
FRACTIONAL	+/- 1/32	DRN. BY	DATE
ANGULAR	+/- 1/2	BWM	7/14/15
		SCALE	APRVD.
		1/10	
		DWS. No.	106314DG
		SHEET 1 OF 1	