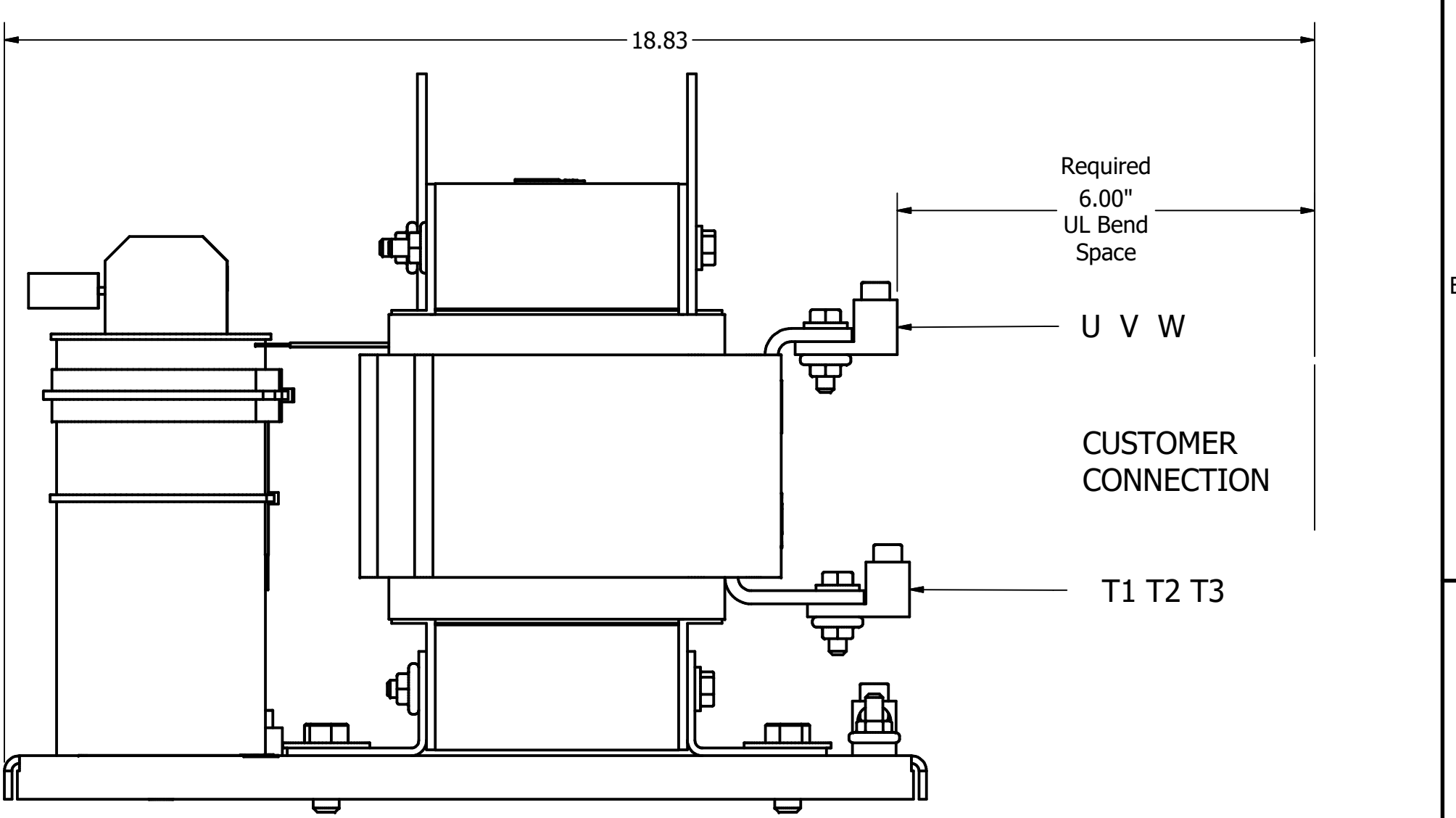
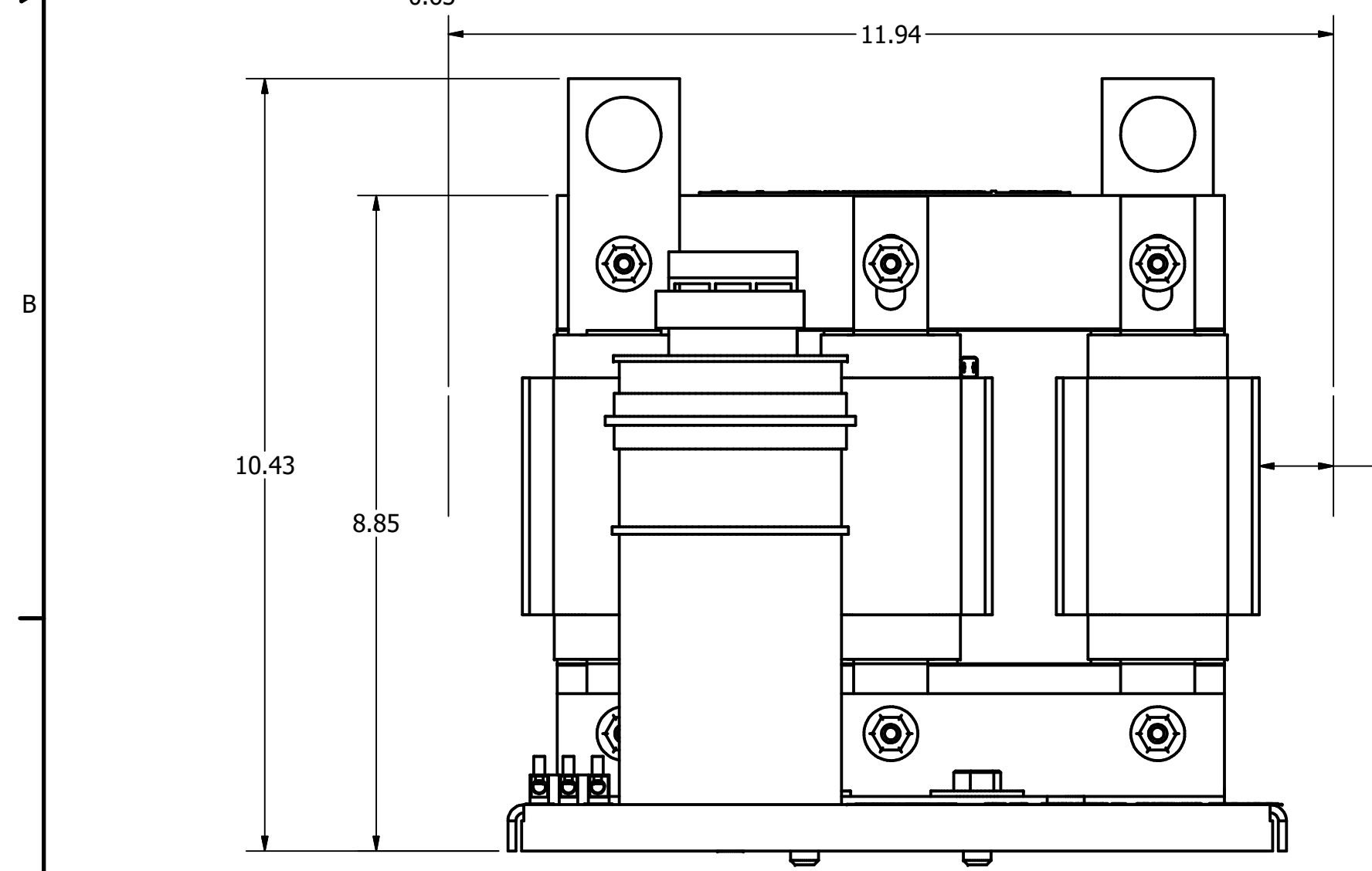
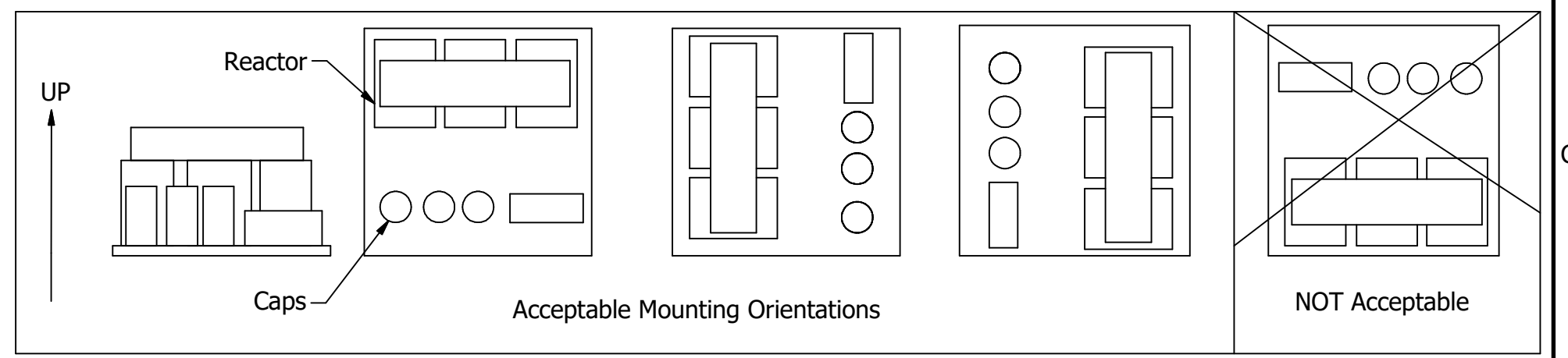
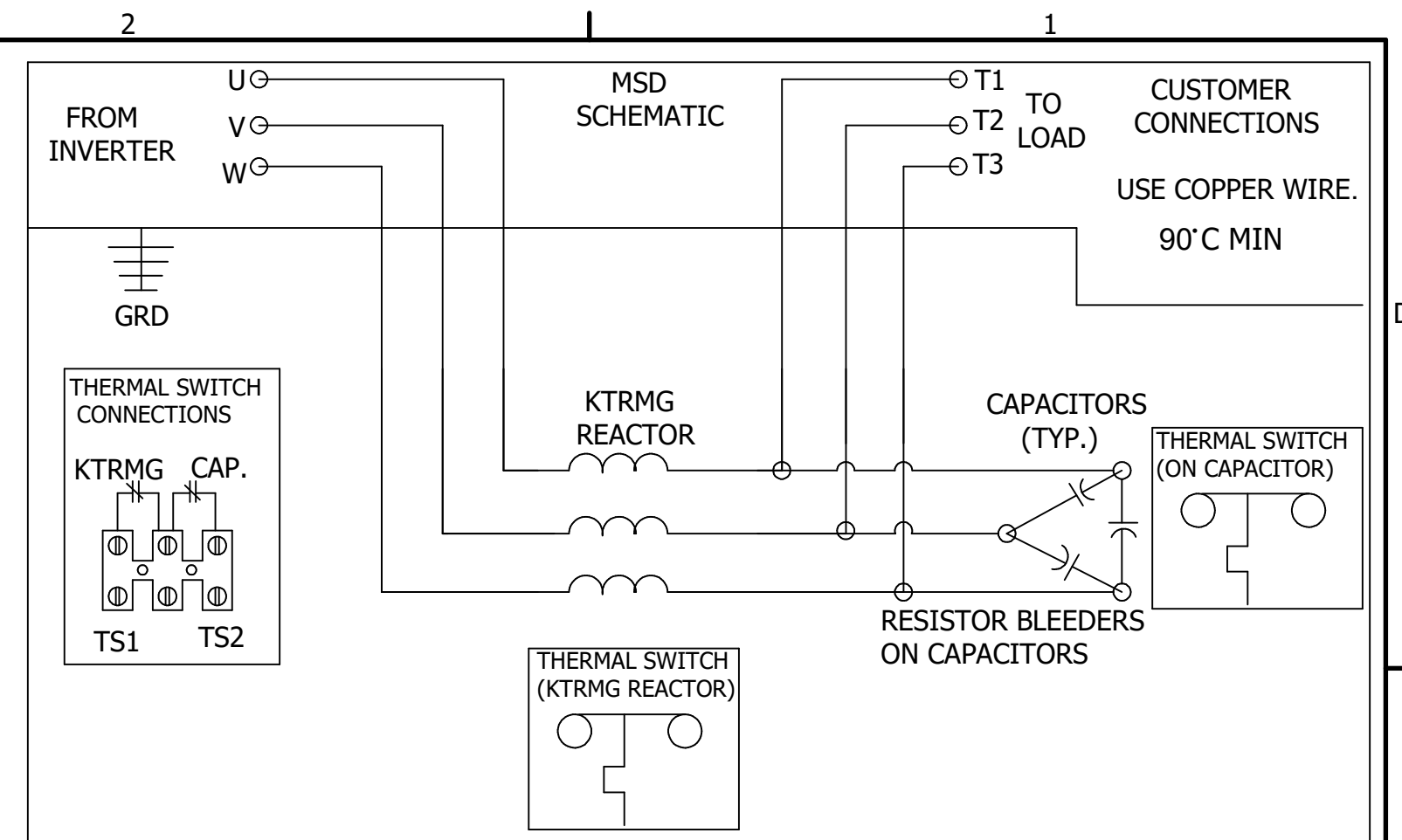
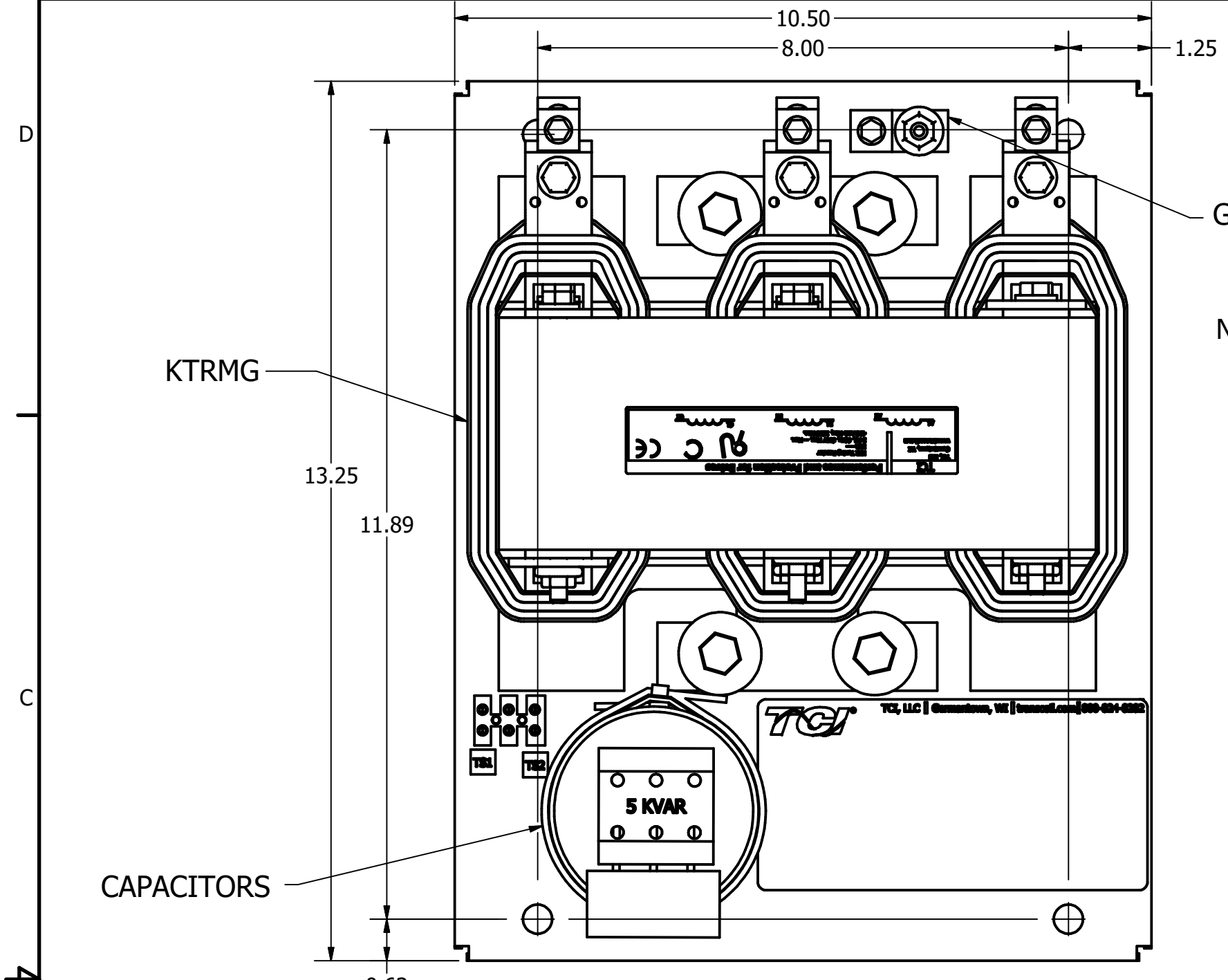


HGP PART NUMBER	HP	VOLT	CURRENT	WEIGHT	PRESSURE TERMINAL WIRE RANGE
MSD0065A000	50	480V	65 AMPS	100LBS	2/0 - 14 AWG



WARNING
 WAIT TWO MINUTES AFTER POWER IS TURNED OFF BEFORE OPENING TO ALLOW FOR CAPACITOR DISCHARGE.

CAPACITOR DISCHARGE LABEL TO SHIP WITH PANEL

CUSTOMER IS RESPONSIBLE FOR PROPER COOLING OF FILTER COMPONENTS
 CAPACITORS MAXIMUM AMBIENT 50°C

CUSTOMER IS RESPONSIBLE FOR INSTALLATION TO MEET ALL NATIONAL AND LOCAL ELECTRICAL CODES.

			TOLERANCES (EXCEPT AS NOTED)		TGI W132 N10611 Grant Drive Germanstown, WI 53022
			DECIMAL		
			.XX ± .03		MotorShield Sinewave Filter 65 Amp, 480/3/60, Open
			.XXX ± .010		
B	Added Clearance and Orientation Info	10/10/18	JRN	FRACTIONAL ± 1/32	DRN BY JRN DATE: 06/15/18 107749DG SCALE: 1/2 APRVD: SIZE C SHT. 1 OF 1
A	As Designed	06/15/18	JRN	ANGULAR ± 1°	
NO	REVISION	DATE	BY		