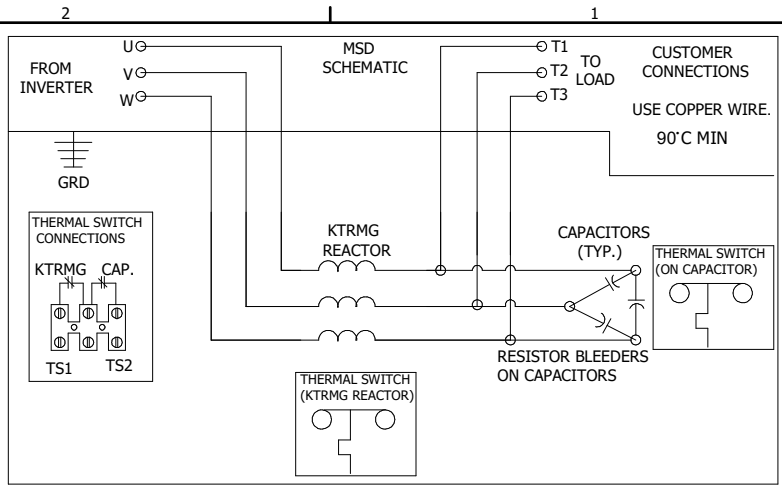
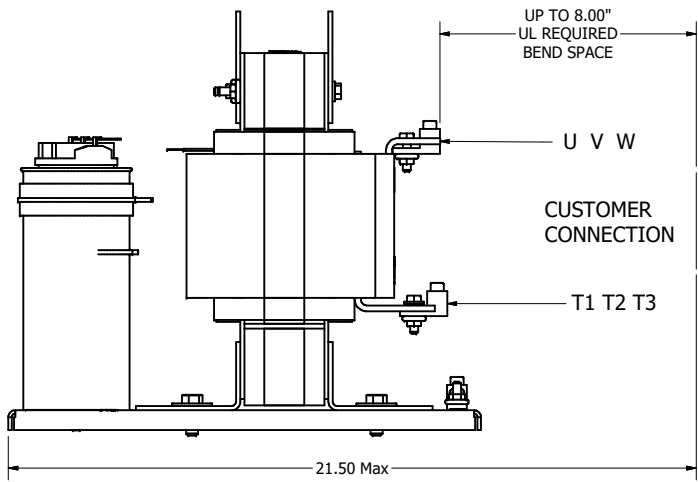
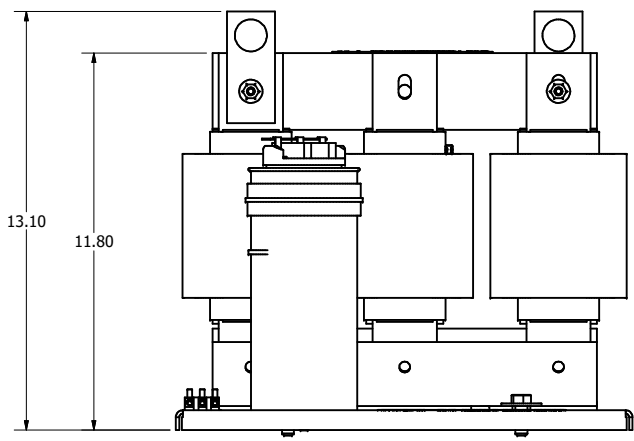
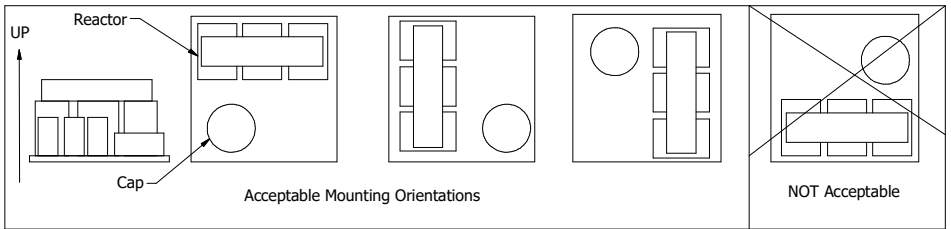
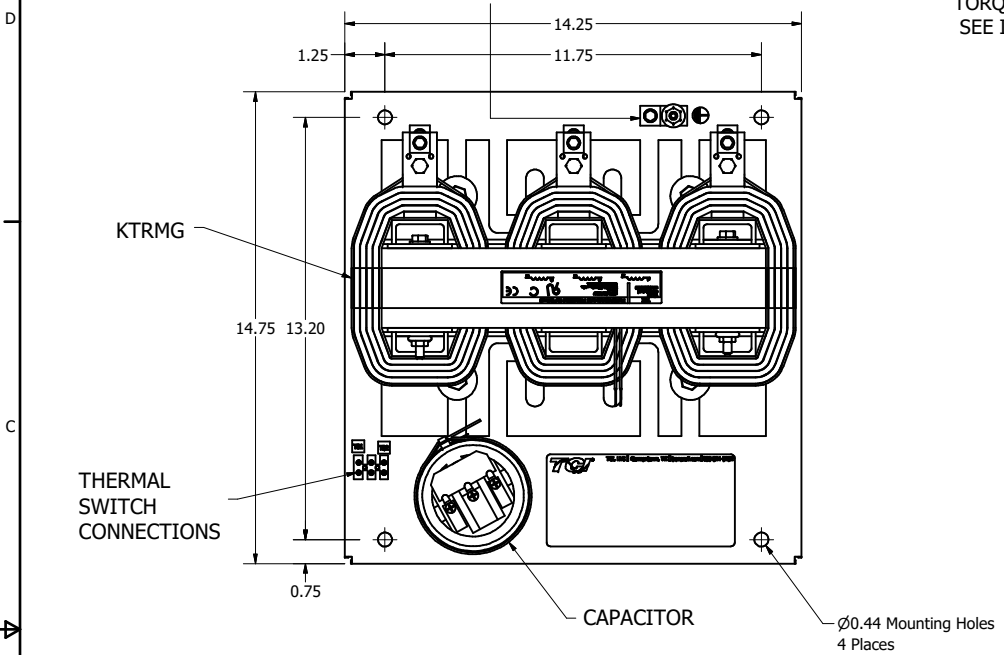


HGP PART NUMBER	HP	VOLT	CURRENT	WEIGHT	PRESSURE TERMINAL WIRE RANGE	BEND SPACE
MSD0080A000	60	480V	80 AMPS	120LBS	2/0 - 14AWG	6.00"
MSD0110A000	75	480V	110 AMPS	120LBS	2/0 - 14AWG	6.00"
MSD0130A000	100	480V	130 AMPS	120LBS	250MCM -1 AWG	8.00"



NOTE: FOR WIRE RANGE AND TORQUE INFORMATION SEE IOM MANUAL.



**WARNING**

WAIT TWO MINUTES AFTER POWER IS TURNED OFF BEFORE OPENING TO ALLOW FOR CAPACITOR DISCHARGE.

CAPACITOR DISCHARGE LABEL TO SHIP WITH PANEL

CUSTOMER IS RESPONSIBLE FOR PROPER COOLING OF FILTER COMPONENTS CAPACITORS MAXIMUM AMBIENT 50°C

CUSTOMER IS RESPONSIBLE FOR INSTALLATION TO MEET ALL NATIONAL AND LOCAL ELECTRICAL CODES.

				TOLERANCES (EXCEPT AS NOTED)		TCI W132 N10611 Grant Drive Germantown, WI 53022	
				DECIMAL		MotorShield Sinewave Filter	
				.XX ± .03		80-130 Amp, 480/3/60, Open	
				.XXX ± .010		FRACATIONAL	
C	4670 Added 80A, 110A, 130A Options	03/08/19	JRN	± 1/32		DRN BY	DATE 06/18/18
B	Orientation and Bend Space Added	10/05/18	JRN	ANGULAR		SCALE: 1/3	REVISED
A	As Designed	06/18/18	JRN	± 1°		FILE	107750DG
NO	REVISION	DATE	BY			FIG	SHT 1 OF 1