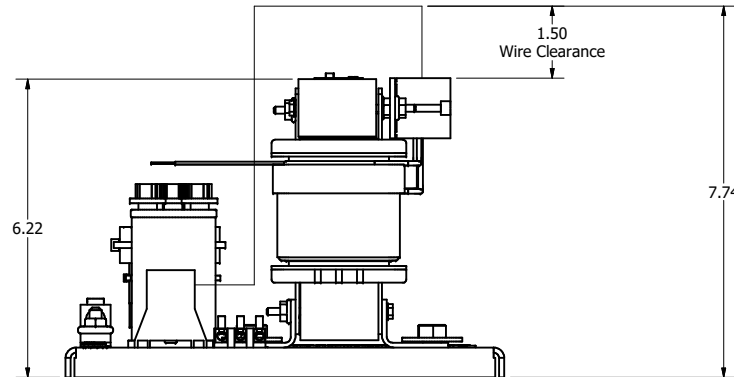
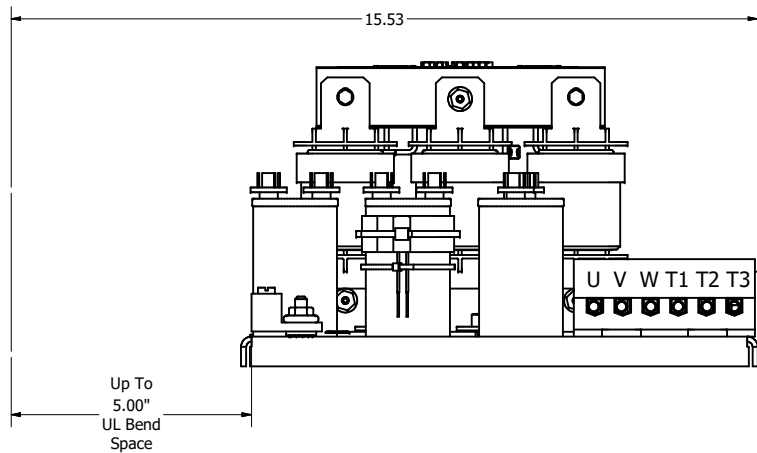
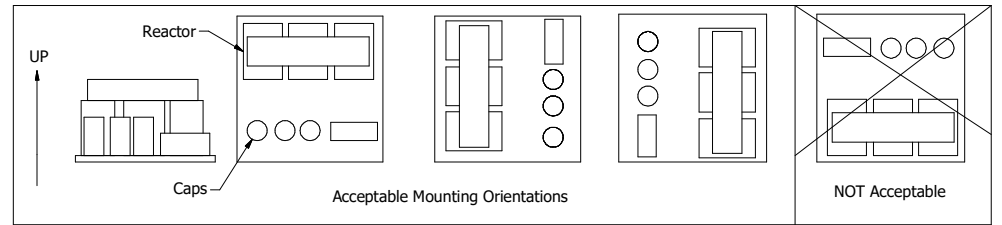
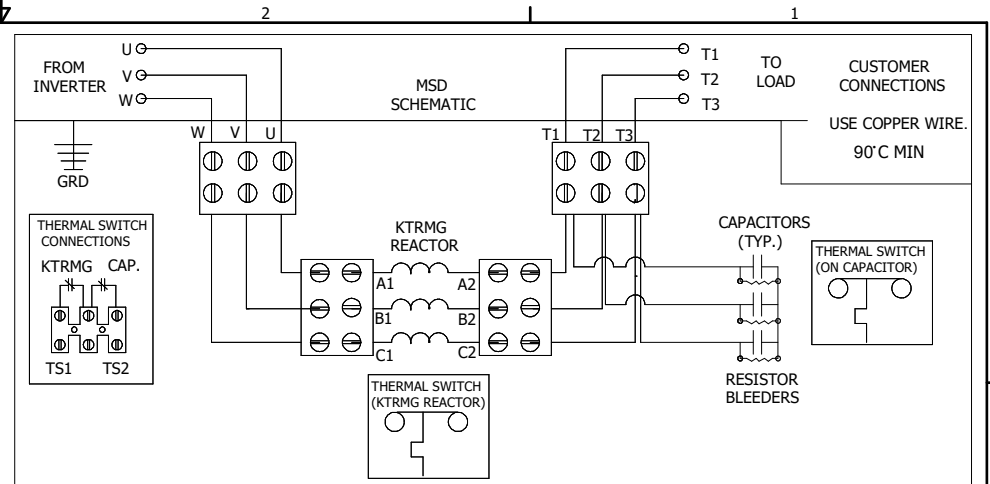
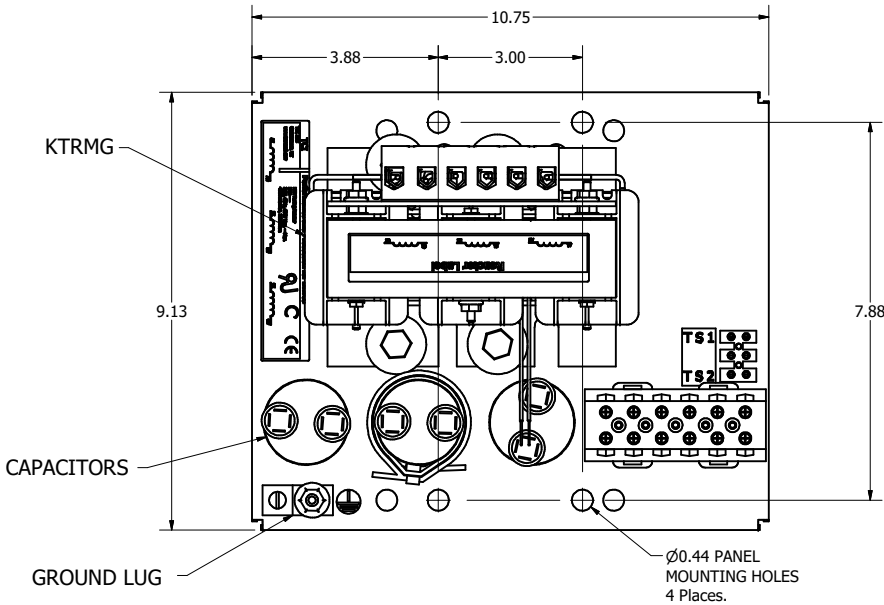


HGP PART NUMBER	HP	VOLT	CURRENT	WEIGHT	TERMINAL BLOCK	GROUND LUG
MSD0005A000	3	480V	5 Amps	40LBS	WIRE RANGE: 1-22AWG	WIRE RANGE: 1/0-14AWG
MSD0009A000	5	480V	9 Amps	40LBS	WIRE RANGE: 1-22AWG	WIRE RANGE: 1/0-14AWG
MSD0012A000	7.5	480V	12 Amps	41LBS	WIRE RANGE: 1-22AWG	WIRE RANGE: 1/0-14AWG
MSD0016A000	10	480V	16 Amps	41LBS	WIRE RANGE: 1-22AWG	WIRE RANGE: 1/0-14AWG



NOTE: FOR WIRE RANGE AND TORQUE INFORMATION SEE IOM MANUAL.

CUSTOMER IS RESPONSIBLE FOR PROPER COOLING OF FILTER COMPONENTS
CAPACITORS MAXIMUM AMBIENT 50°C
CUSTOMER IS RESPONSIBLE FOR INSTALLATION TO MEET ALL NATIONAL AND LOCAL ELECTRICAL CODES.

WARNING
WAIT TWO MINUTES AFTER POWER IS TURNED OFF BEFORE OPENING TO ALLOW FOR CAPACITOR DISCHARGE.

CAPACITOR DISCHARGE LABEL TO SHIP WITH PANEL

				TOLERANCES (EXCEPT AS NOTED)		TCI		W132 N10611 Grant Drive Germantown, WI 53022	
				DECIMAL					
				.XX ± .03					
				.XXX ± .010					
B	4670 Additional Amp Options	03/08/19	JRN	FRACTIONAL					
A	As Designed	09/25/18	JRN	± 1/32					
				ANGULAR					
NO	REVISION	DATE	BY	± 1°		DRN BY		DATE	107885DG
						SCALE: 1/2		REVISED	DATE
								DATE	107885DG
								DATE	107885DG