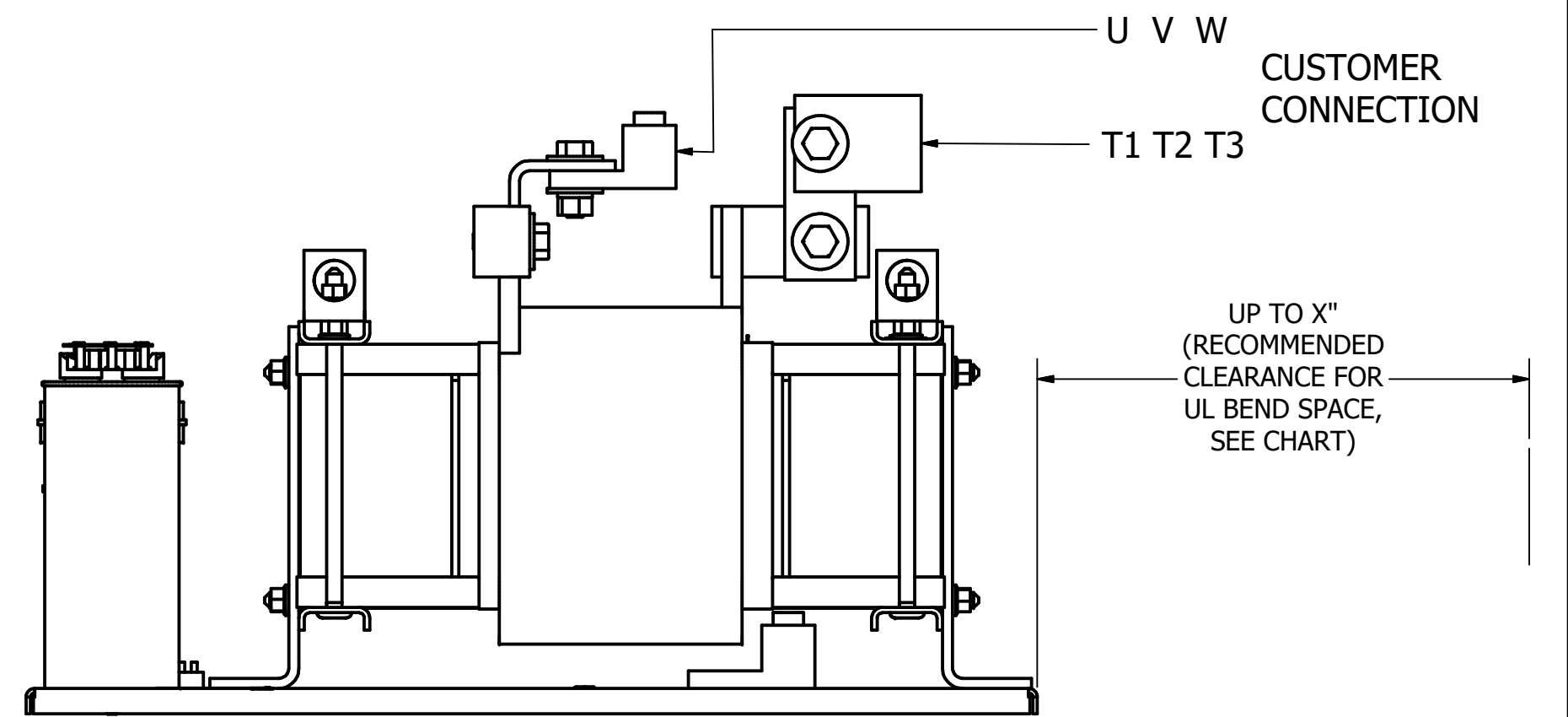
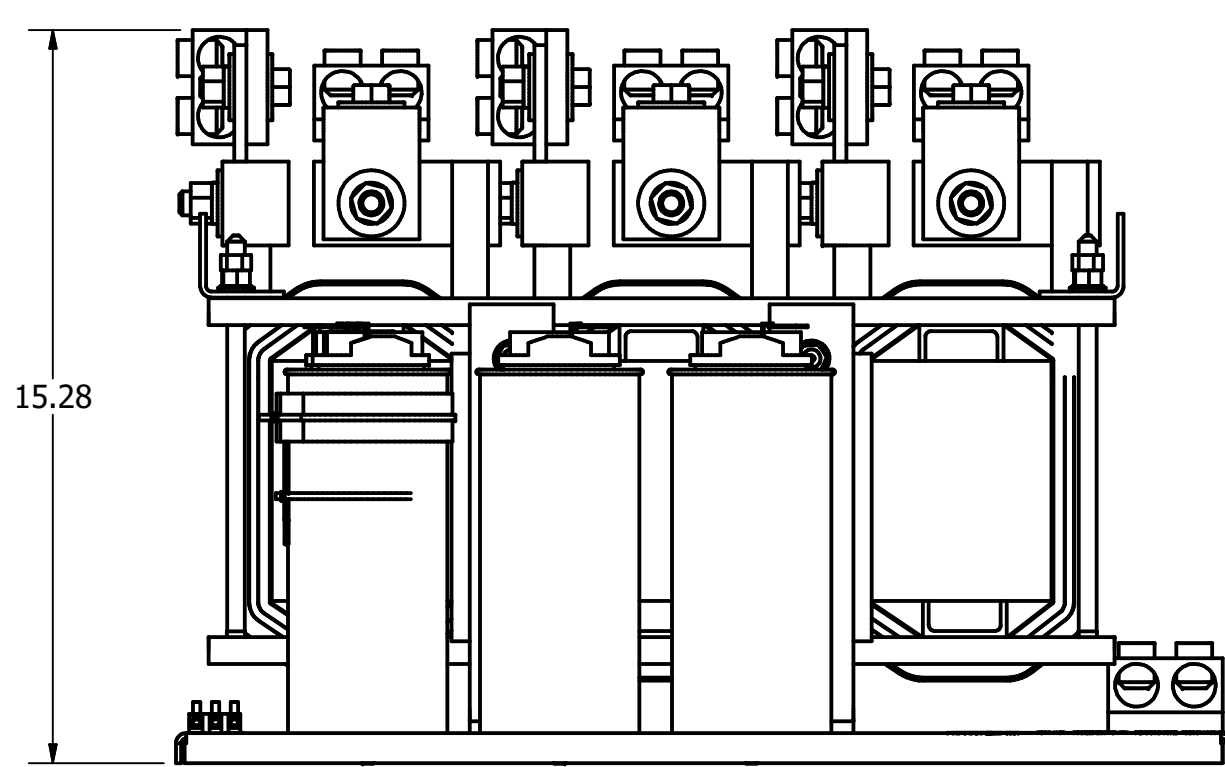
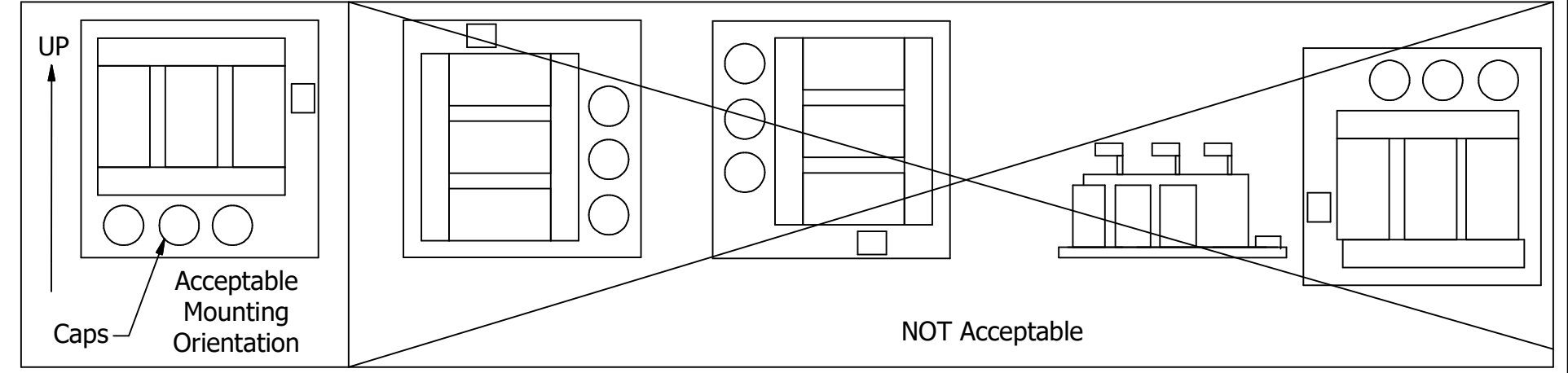
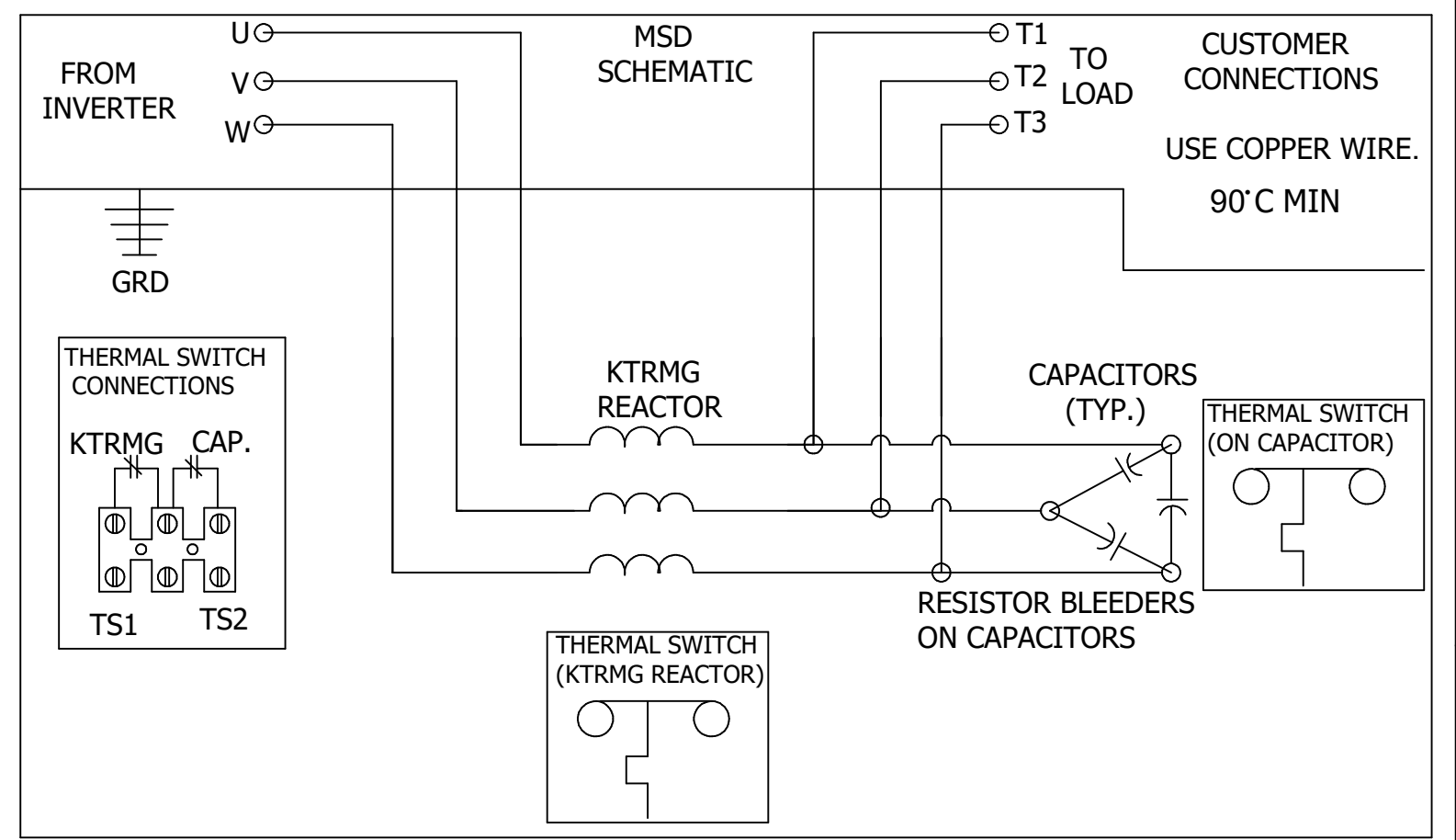
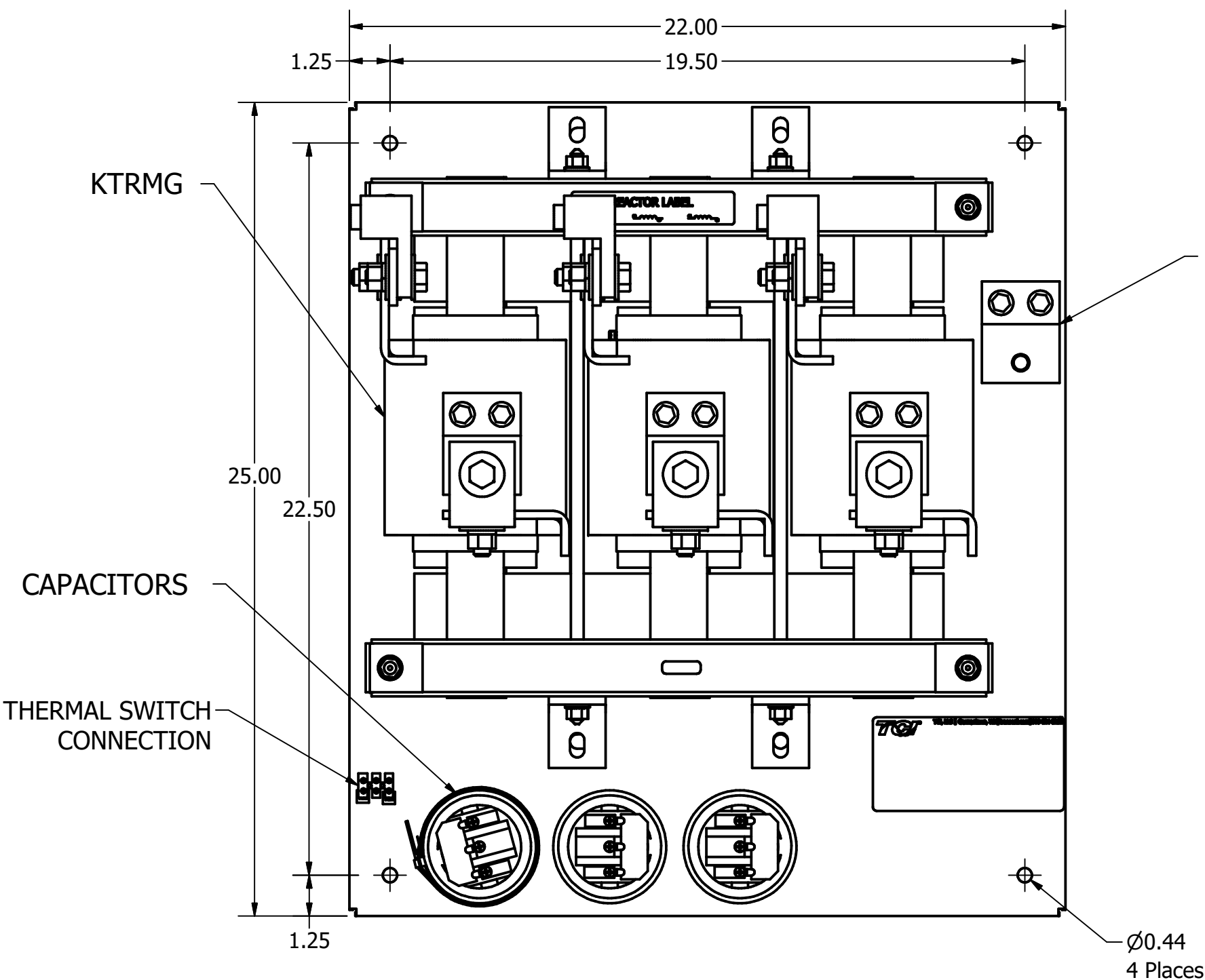


HGP PART NUMBER	HP	VOLT	CURRENT	WEIGHT	PRESSURE TERMINAL WIRE RANGE	X
MSD0200A000	150	480V	200 AMPS	330 LBS	(2) 350MCM-6AWG	9 IN
MSD0250A000	200	480V	250 AMPS	350 LBS	(2) 350MCM-6AWG	9 IN
MSD0305A000	250	480V	305 AMPS	360 LBS	(2) 350MCM-6AWG	9 IN
MSD0362A000	300	480V	362 AMPS	370 LBS	(2) 350MCM-6AWG	9 IN
MSD0420A000	350	480V	420 AMPS	475 LBS	(2) 600MCM-4AWG	11 IN



CUSTOMER IS RESPONSIBLE FOR PROPER COOLING OF FILTER COMPONENTS  
CAPACITORS MAXIMUM AMBIENT 50°C

CUSTOMER IS RESPONSIBLE FOR INSTALLATION TO MEET ALL NATIONAL AND LOCAL ELECTRICAL CODES.

			TOLERANCES (EXCEPT AS NOTED)		<b>TGI</b> W132 N10611 Grant Drive Germantown, WI 53022
			DECIMAL	.XX ± .03 .XXX ± .010	
			FRACTIONAL	± 1/32	MotorShield Sinewave Filter 200-420 Amp, 480/3/60, Open
			ANGULAR	± 1°	
A	As Designed	10/03/18	JRN		DRN BY: JRN DATE: 10/03/18 107896DG
NO	REVISION	DATE	BY		SCALE: 1/3 APRVD: SIZE C SHT. 1 OF 1