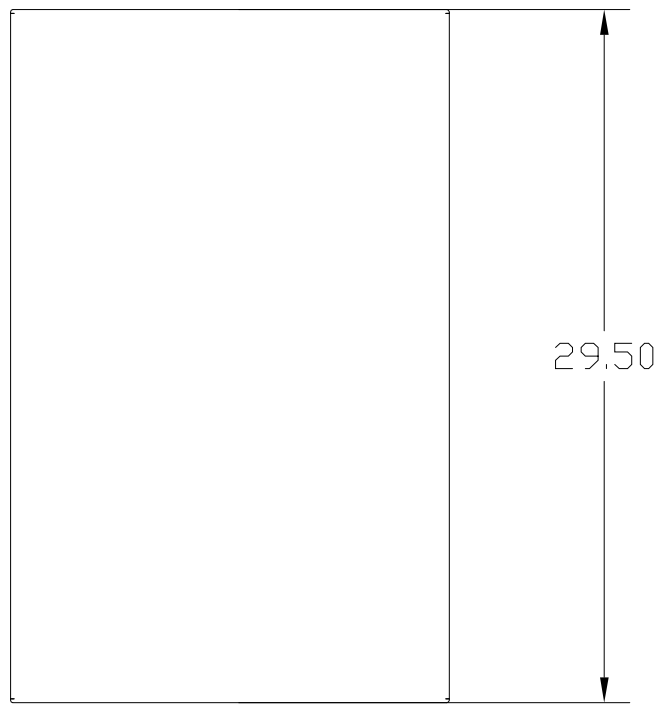
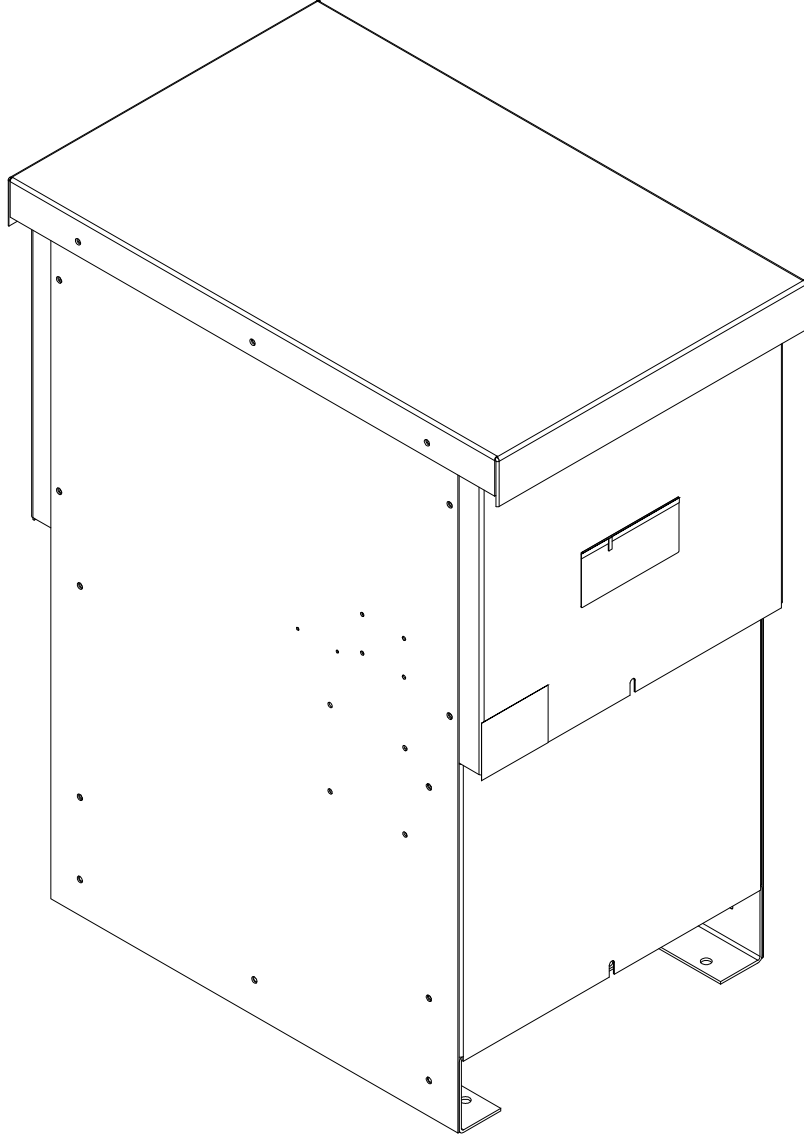


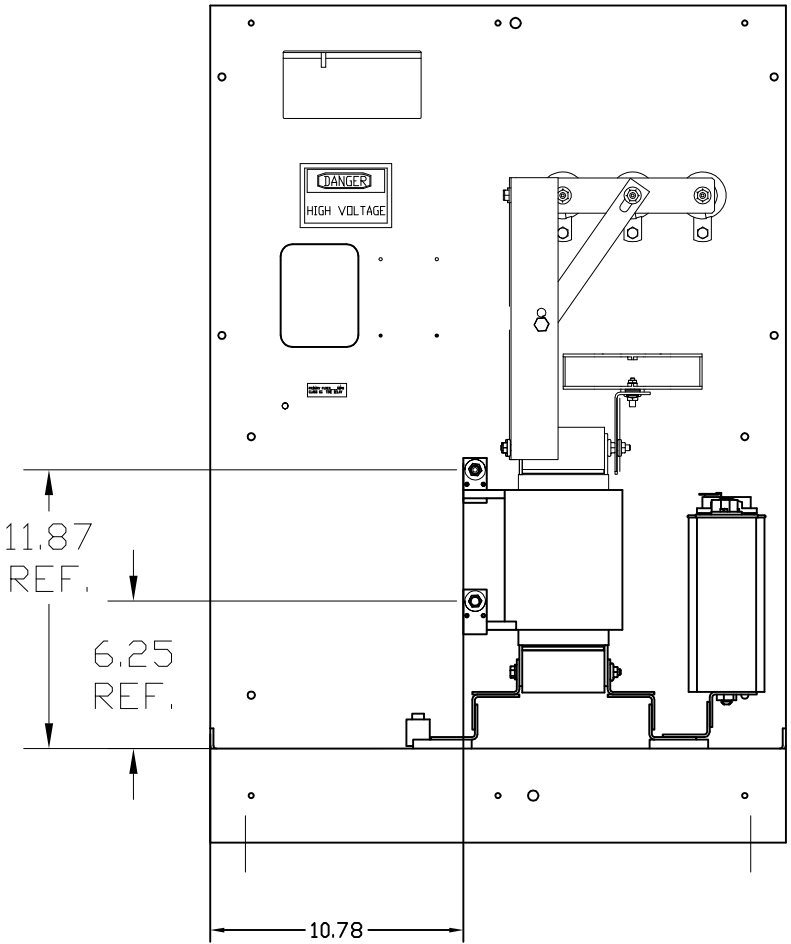
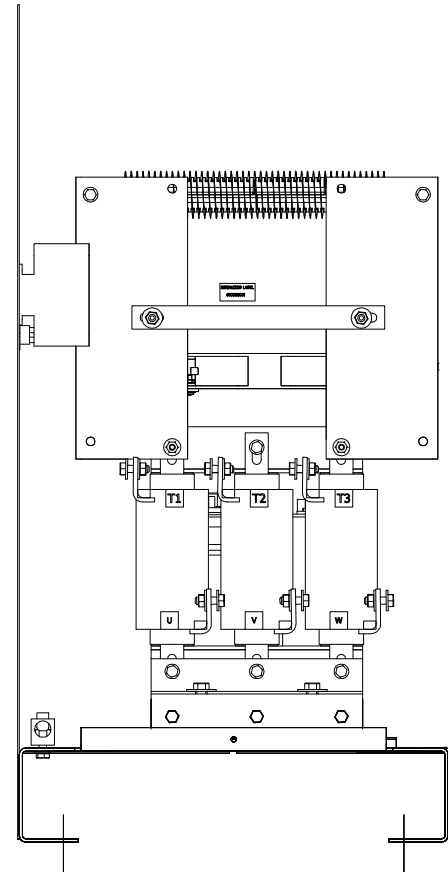
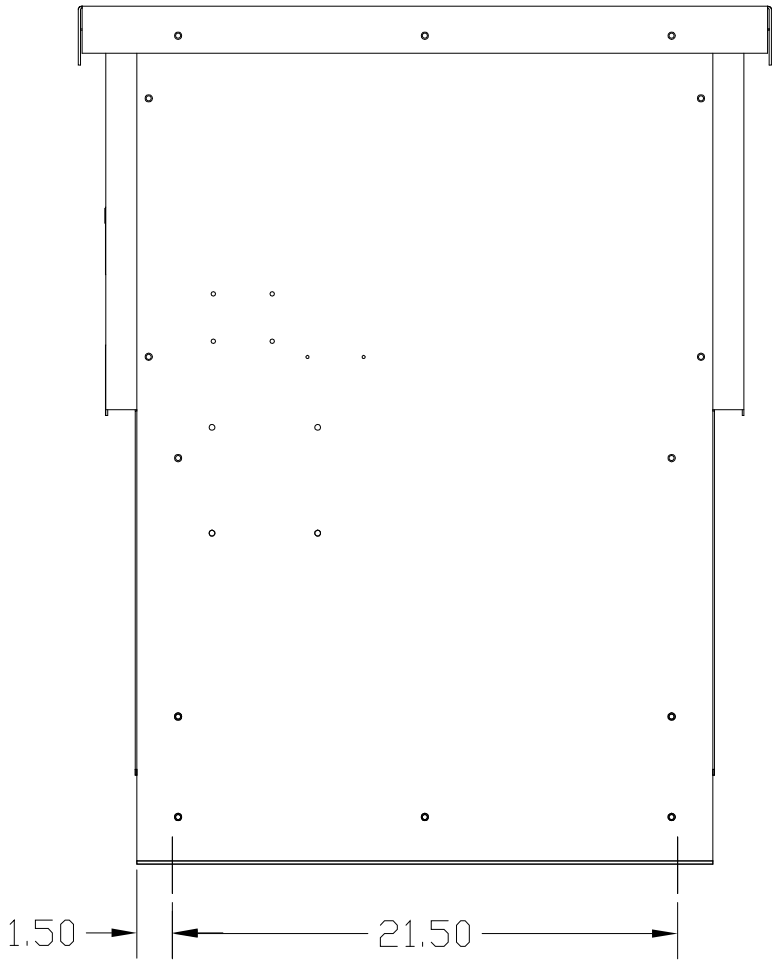
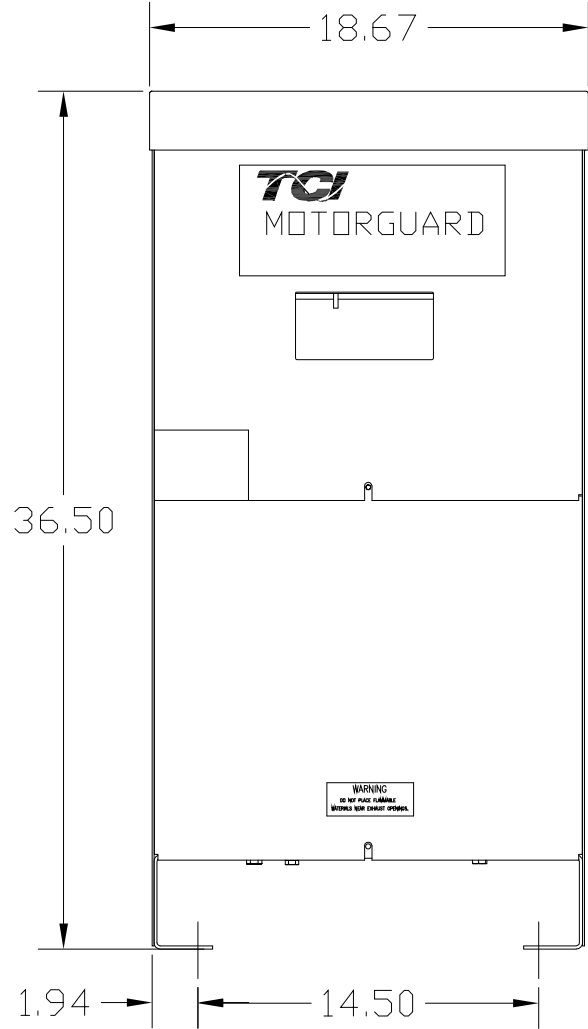
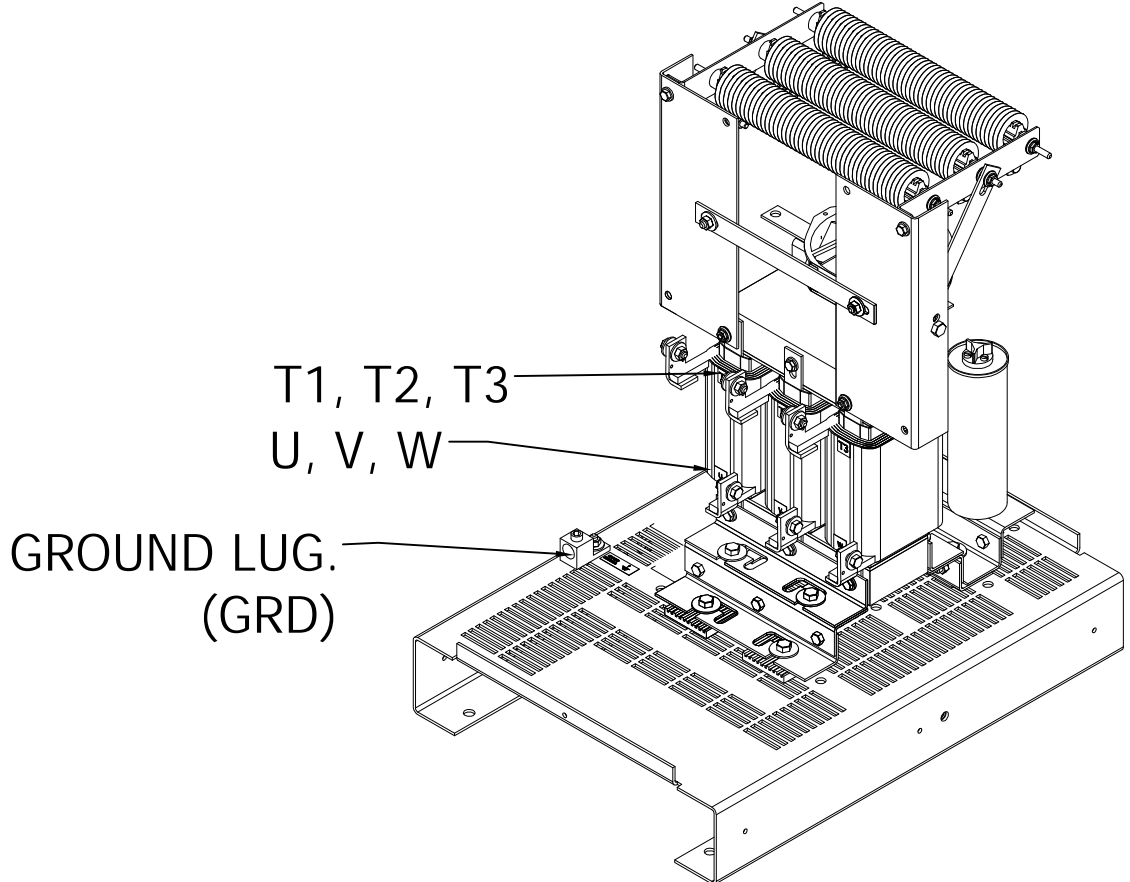
GENERAL PURPOSE, 1/3R, COLOR: WHITE.



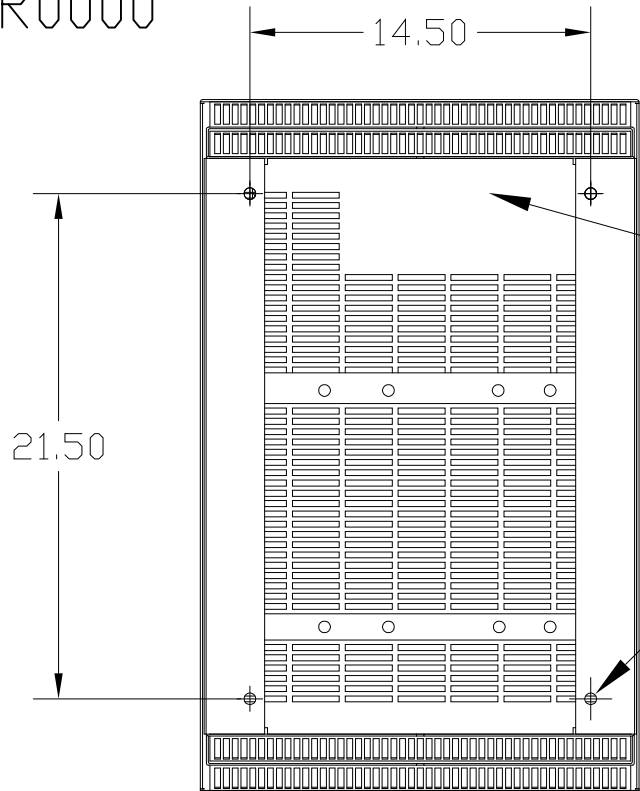
KMG HIGH PERFORMANCE OUTPUT FILTER
 PART NUMBER: KMG200AG3R0000
 FLA: 200 DRAWING#: 103448DG
 SYSTEM VOLTAGE: 480V SCHEMATIC: 26736
 HZ: 60
 PHASE: 3 ENCLOSURE TYPE: 1/3R
MOTORGUARD

GROUND LUG
 WIRE RANGE: 250MCM-#1 AWG
 TORQUE: 375 LB-IN

260 LBS : APPROX WEIGHT.
 FOR SCHEMATIC SEE DRAWING # 26736.



PART NUMBER: KMG200AG3R0000



CUSTOMER WIRE ENTRANCE AND EXIT LOCATION.

.56 DIA HOLES
 4 PLACES.

CUSTOMER IS RESPONSIBLE FOR INSTALLATION TO MEET ALL NATIONAL AND LOCAL ELECTRICAL CODES.

TCI, LLC CLAIMS PROPRIETARY RIGHTS IN THE MATERIAL HEREIN DISCLOSED. IT IS SUPPLIED WITHOUT PREJUDICE TO ANY PATENT RIGHTS OF TCI AND MAY NOT BE REPRODUCED OR USED TO MANUFACTURE ANYTHING SHOWN THEREIN WITHOUT WRITTEN PERMISSION FROM TCI.				TOLERANCES (EXCEPT AS NOTED) DECIMAL	TCI ® W132 N10611 Grant Drive Germantown, WI 53022 KMG, LRC FILTER STANDARD 200 AMP 480/3/80, 1/3R DRN. BY DSW DATE 12/23/08 DWG. NO. 103448DG SCALE TO FIT SIZE C SHT.1 OF1
				.XX ± .03	
				.XXX ± .01	
				FRACTIONAL ± 1/32	
	E 3211 UPDATE RESISTOR MOUNTING	10/23/14	DSW	ANGULAR ± 1/2°	
	NO REVISION	DATE	BY		