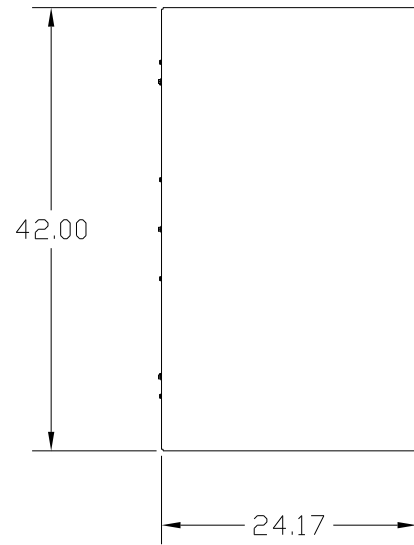


GENERAL PURPOSE, 1/3R, COLOR: WHITE..

APPROX WT: 595LBS



KMG HIGH PERFORMANCE OUTPUT FILTER

PART NUMBER: KMG250AG3R0000

FLA: 250 DRAWING#: 103856DG

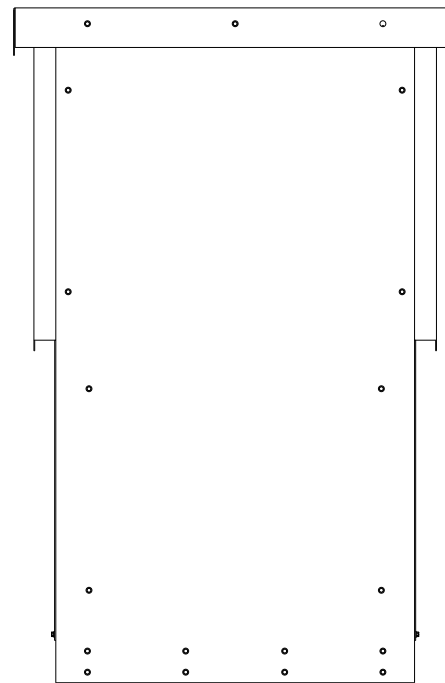
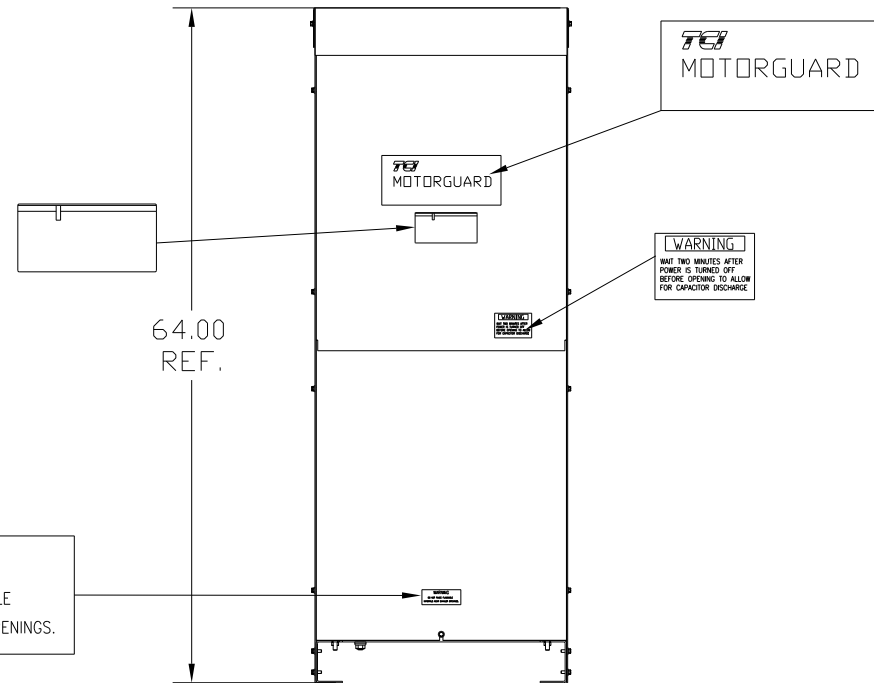
SYSTEM VOLTAGE: 480V SCHEMATIC: 26736

HZ: 80

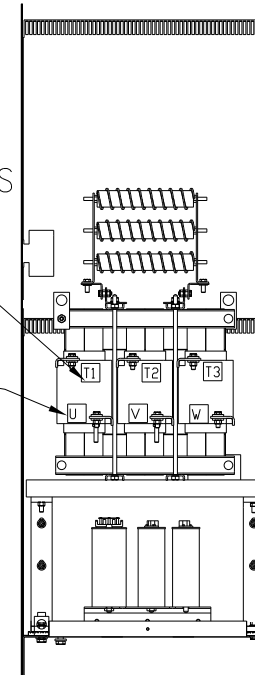
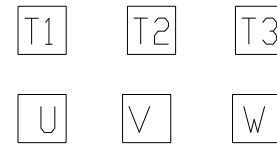
PHASE: 3 ENCLOSURE TYPE: 1/3R

MOTORGUARD

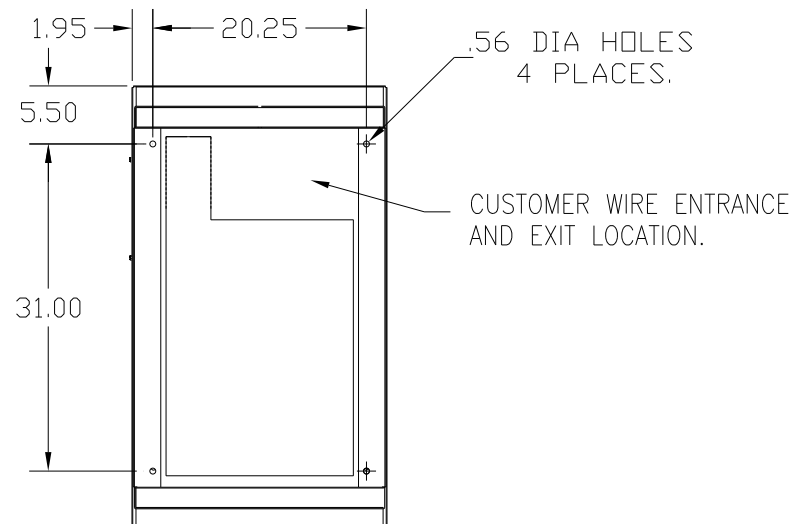
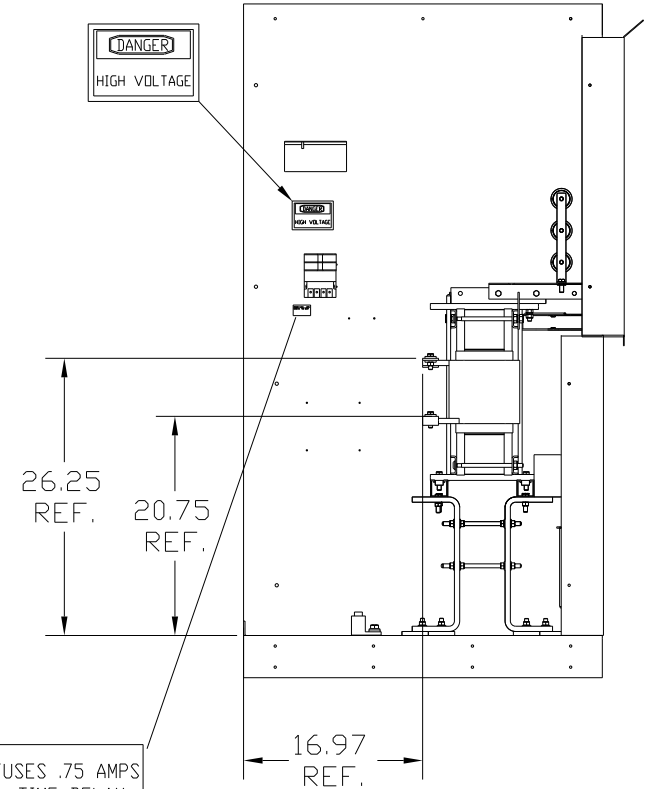
GROUND LUG
WIRE RANGE: ONE 600CM- #4 AWG
TWO 250MCM-1/0
TORQUE: 500 LB-IN



CUSTOMER CONNECTIONS
(.44 DIA HOLES 6 PLACES.)



PRIMARY FUSES .75 AMPS
CLASS CC TIME DELAY



PART NUMBER: KMG250AG3R0000

FOR SCHEMATIC SEE DWG# 26736

CUSTOMER IS RESPONSIBLE FOR INSTALLATION
TO MEET ALL NATIONAL AND LOCAL ELECTRICAL CODES.

				TOLERANCES (EXCEPT AS NOTED)		7878 N. 86th STREET MILWAUKEE, WI 53224	
				DECIMAL		KMG, LRC FILTER, STANDARD	
				.XX ± .50		250AMP, 480/3/80, 1/3R	
				.XXX ± .25		DWN BY DSW DATE 10/08/08 DWG. NO. 103856DG	
				FRACTIONAL		SCALE TO FIT	
				± 1/32		APPROV: D	
				ANGULAR		SHT. 1 OF 1	
				± 1/2°			
NO	REVISION	DATE	BY				