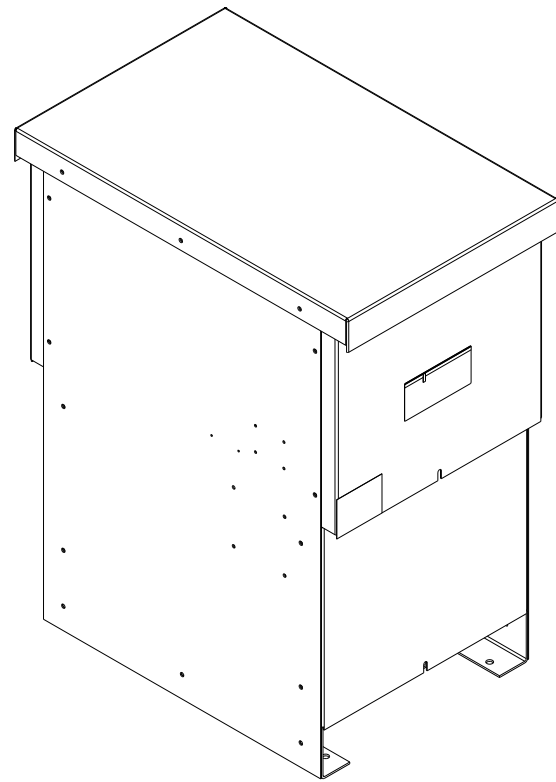


GENERAL PURPOSE, 1/3R, COLOR: WHITE.

GROUND LUG
WIRE RANGE: 1/0-14 AWG
TORQUE: 200 LB-IN

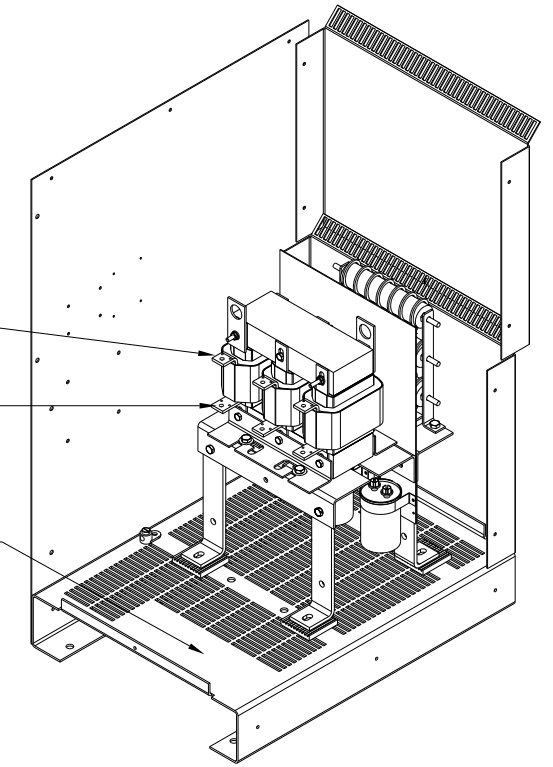
209 LBS : APPROX WEIGHT.



KMG HIGH PERFORMANCE OUTPUT FILTER
PART NUMBER: KMG45CG3R0000
FLA: 45 DRAWING#: 103921DG
SYSTEM VOLTAGE: 600V SCHEMATIC: 26911
HZ: 80
PHASE: 3 ENCLOSURE TYPE: 1/3R
MOTORGUARD

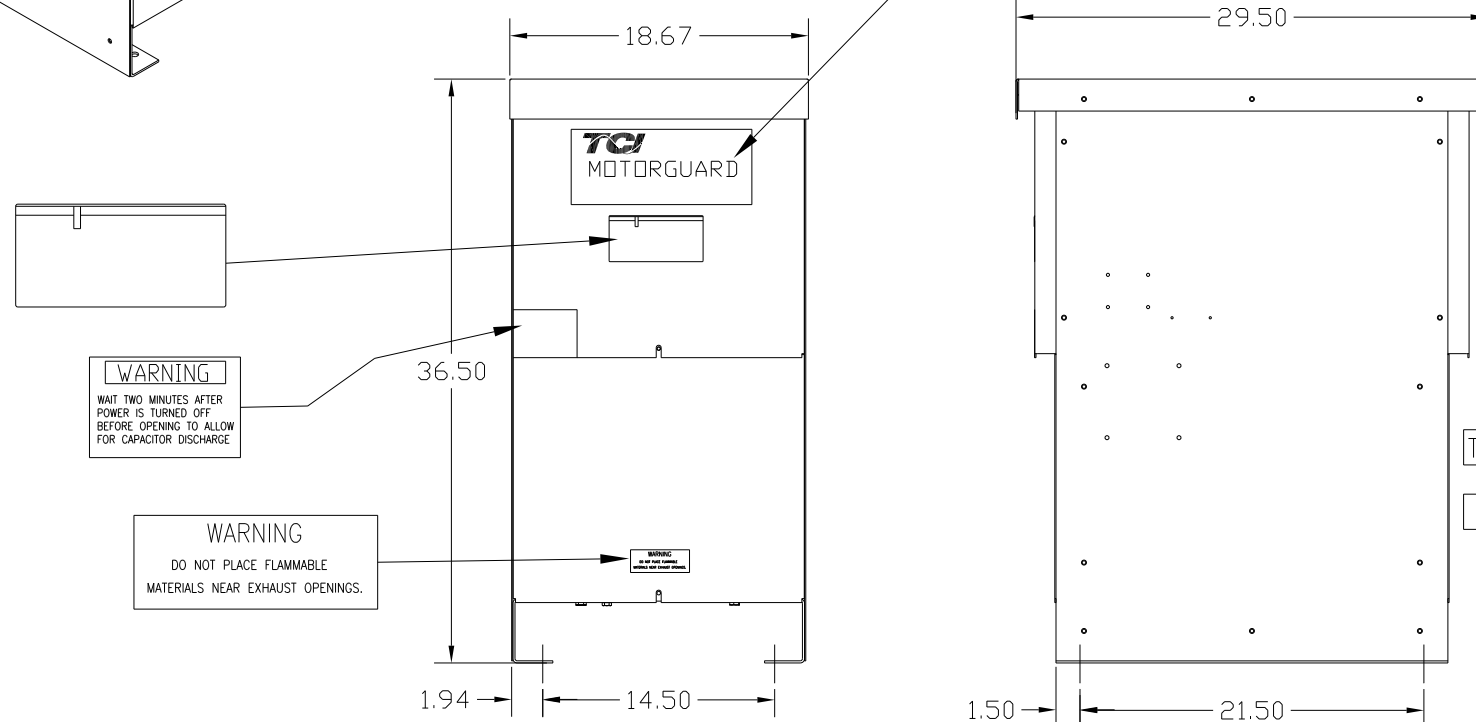
CUSTOMER CONNECTIONS
(.28 DIA HOLES 6 PLACES.)

T1 T2 T3
U V W



CUSTOMER WIRE ENTRANCE
AND EXIT LOCATION.

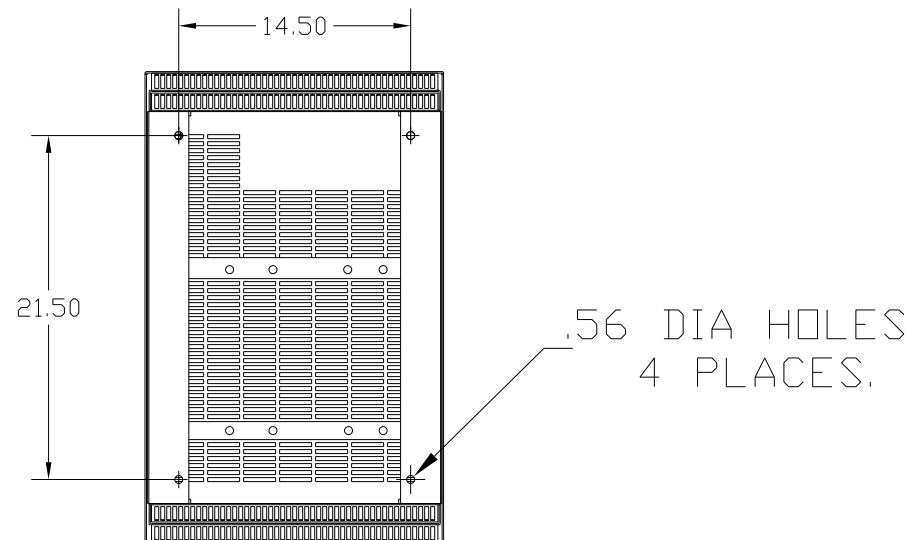
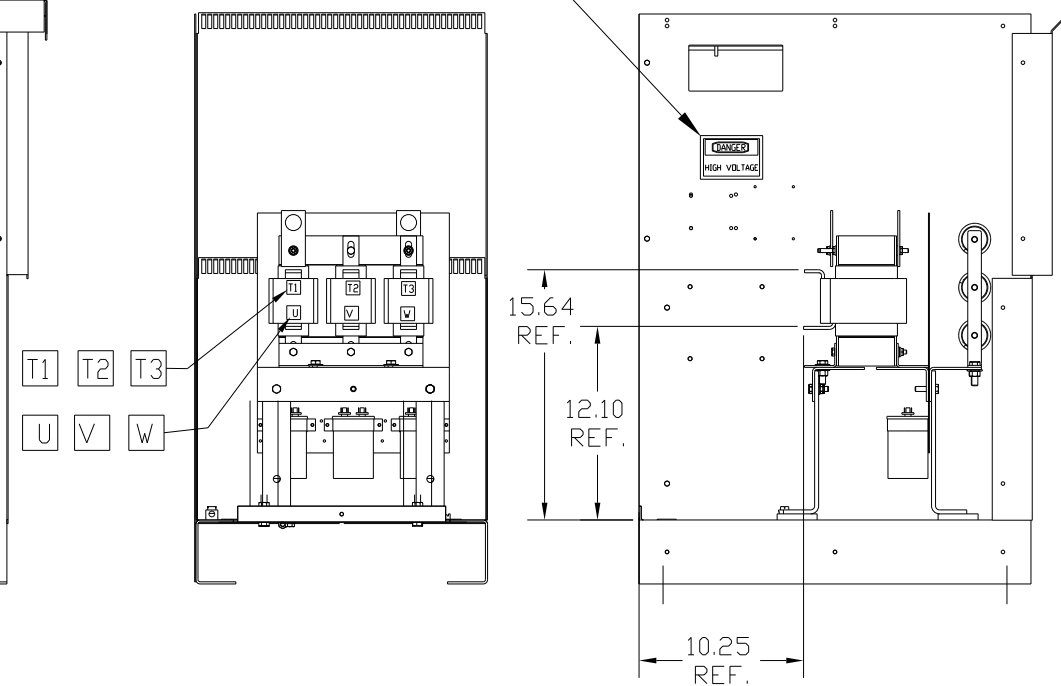
TCI
MOTORGUARD



WARNING
WAIT TWO MINUTES AFTER
POWER IS TURNED OFF
BEFORE OPENING TO ALLOW
FOR CAPACITOR DISCHARGE

WARNING
DO NOT PLACE FLAMMABLE
MATERIALS NEAR EXHAUST OPENINGS.

DANGER
HIGH VOLTAGE



PART NUMBER: KMG45CG3R0000
FOR SCHEMATIC SEE DRAWING # 26911.

CUSTOMER IS RESPONSIBLE FOR INSTALLATION
TO MEET ALL NATIONAL AND LOCAL ELECTRICAL CODES.

		TOLERANCES (EXCEPT AS NOTED)		TCI 7878 N. 86th STREET MILWAUKEE, WI 53224	
		DECIMAL		KMG, LRC FILTER STANDARD 45 AMP 600/3/80, 1/3R	
		.XX ± .03		DRN. BY DSW DATE 1/23/09 DWG. NO. 103921DG	
		.XXX ± .01		SCALE TO FIT APPRVD. SHT.1 OF1	
		FRACTIONAL			
		± 1/32			
		ANGULAR			
		± 1/2°			
NO	REVISION	DATE	BY		