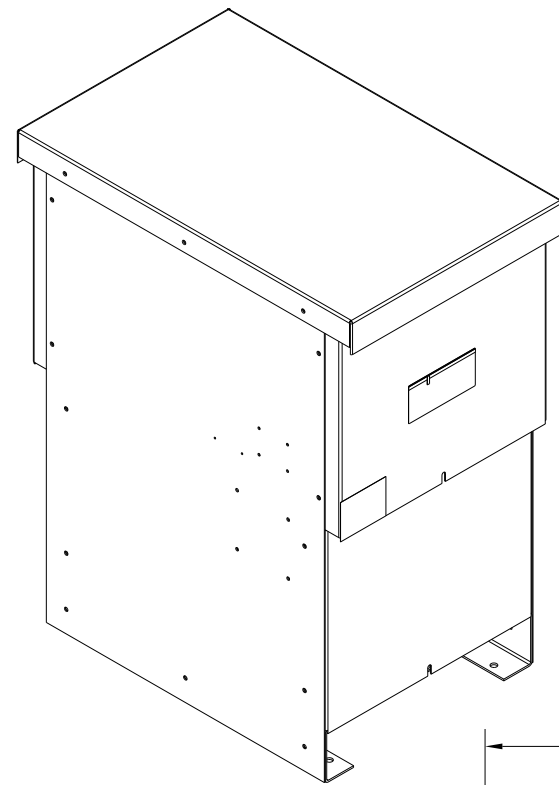


GENERAL PURPOSE, 1/3R, COLOR: GREY.

209 LBS : APPROX WEIGHT.

GROUND LUG
WIRE RANGE: 1/0-14 AWG
TORQUE: 200 LB-IN



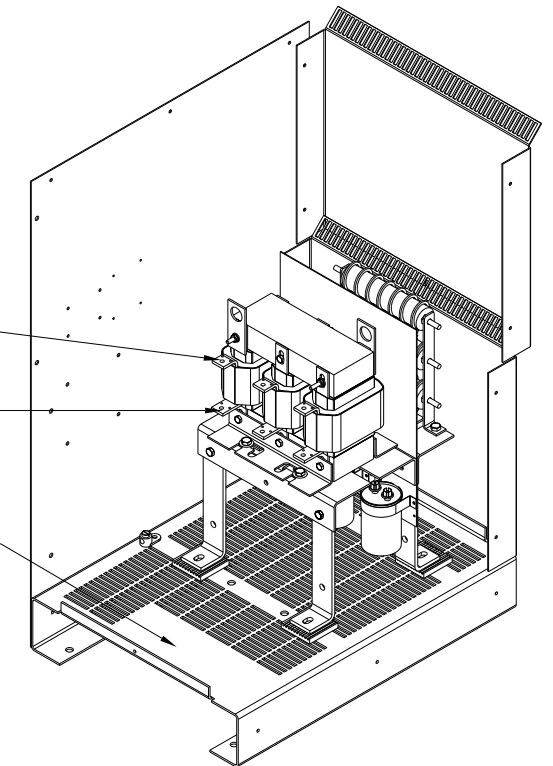
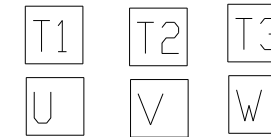
KMG HIGH PERFORMANCE OUTPUT FILTER

PART NUMBER: KMG55AG010000

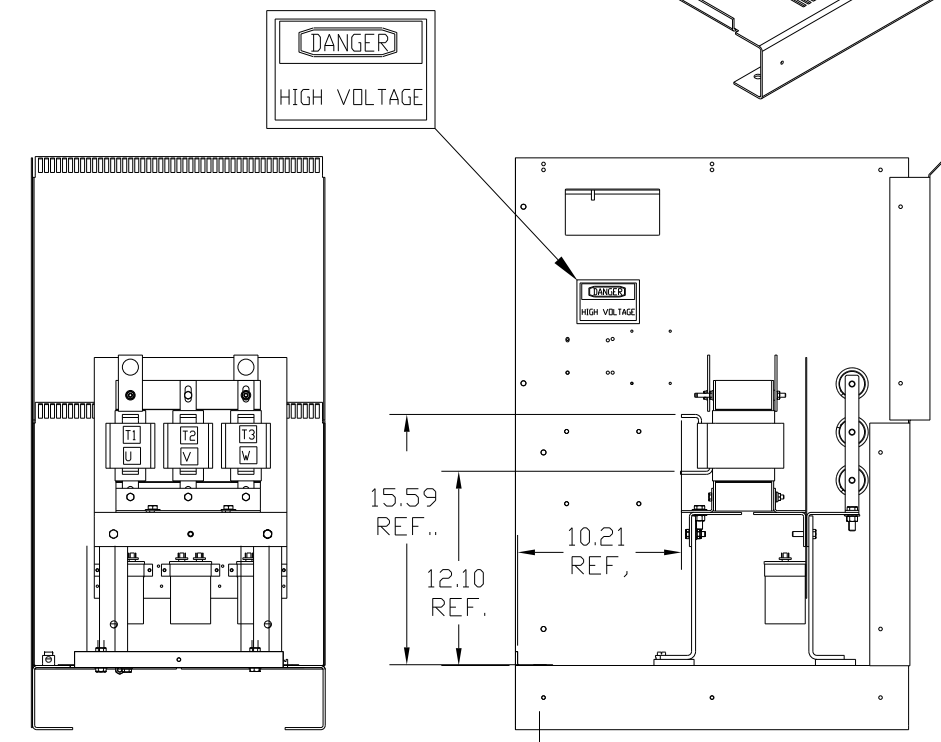
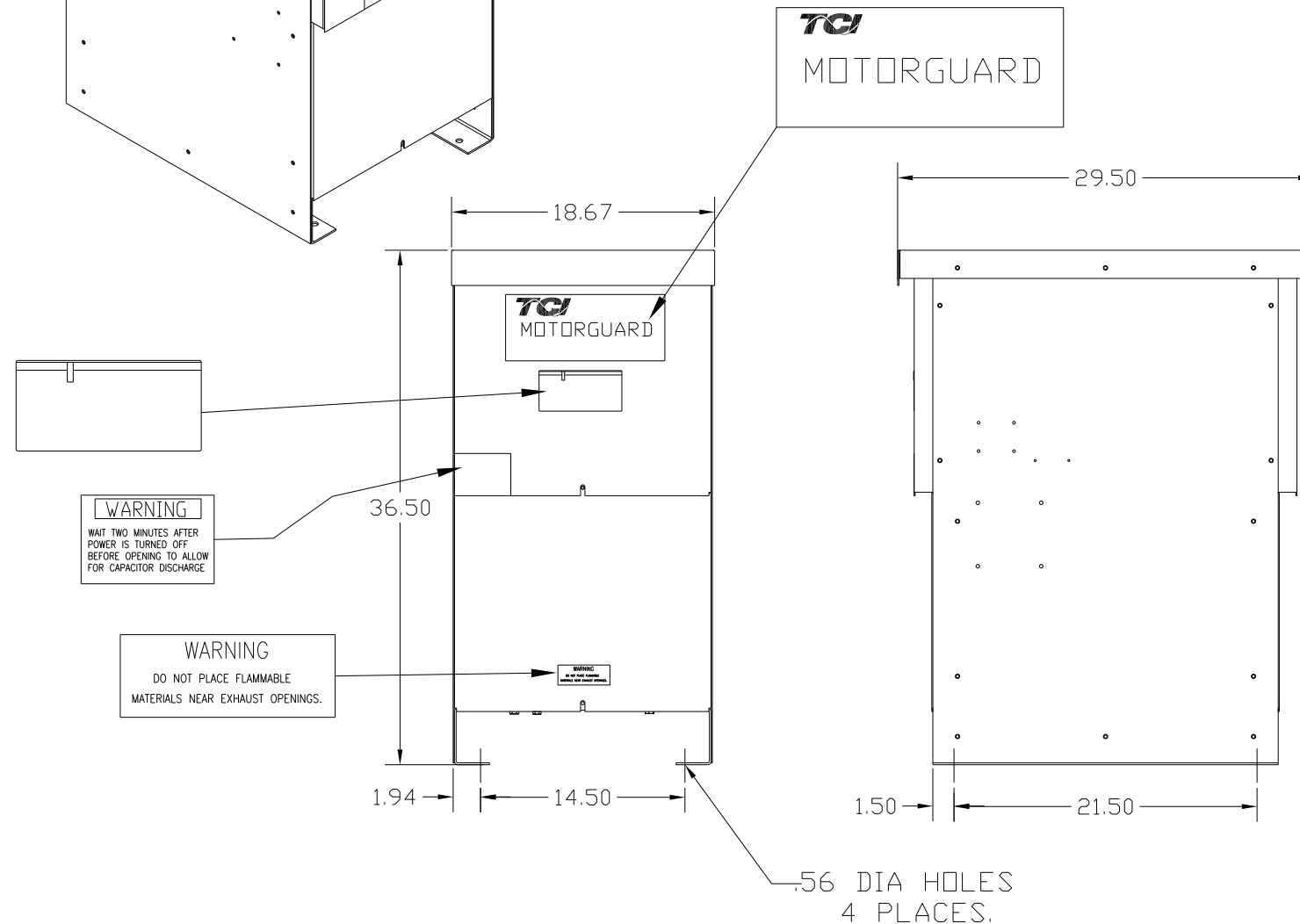
FLA: 55 DRAWING#: 103882DG
SYSTEM VOLTAGE: 480V SCHEMATIC: 26886
HZ: 80
PHASE: 3 ENCLOSURE TYPE: 1/3R

MOTORGUARD

CUSTOMER CONNECTIONS
(.28 DIA HOLES 6 PLACES.)



CUSTOMER WIRE ENTRANCE
AND EXIT LOCATION.



CUSTOMER IS RESPONSIBLE FOR INSTALLATION
TO MEET ALL NATIONAL AND LOCAL ELECTRICAL CODES.

PART NUMBER: KMG55AG010000

FOR SCHEMATIC SEE DRAWING # 26886.

				TOLERANCES (EXCEPT AS NOTED)		7878 N. 86th STREET MILWAUKEE, WI 53224	
				DECIMAL			
				.XX ± .03		KMG, LRC FILTER STANDARD 55 AMP 480/3/80, 1/3R	
				.XXX ± .01			
				FRACTIONAL		DRN. BY DSW DATE 11/25/08 DWG. NO. 103882DG	
				± 1/32		SCALE TO FIT APPRVD. C	
				ANGULAR		SHT. 1 OF 1	
				± 1/2°			
NO	REVISION	DATE	BY				