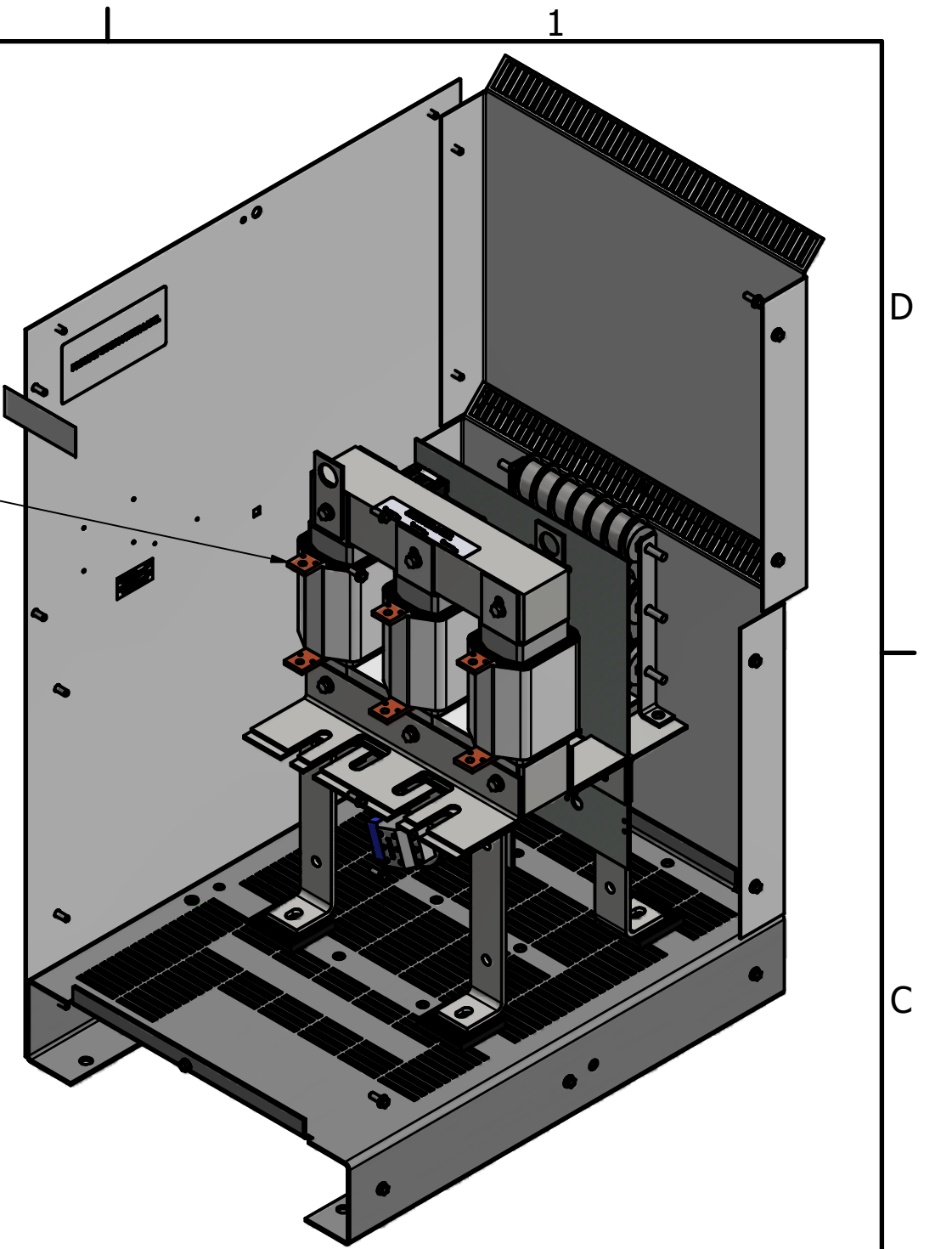
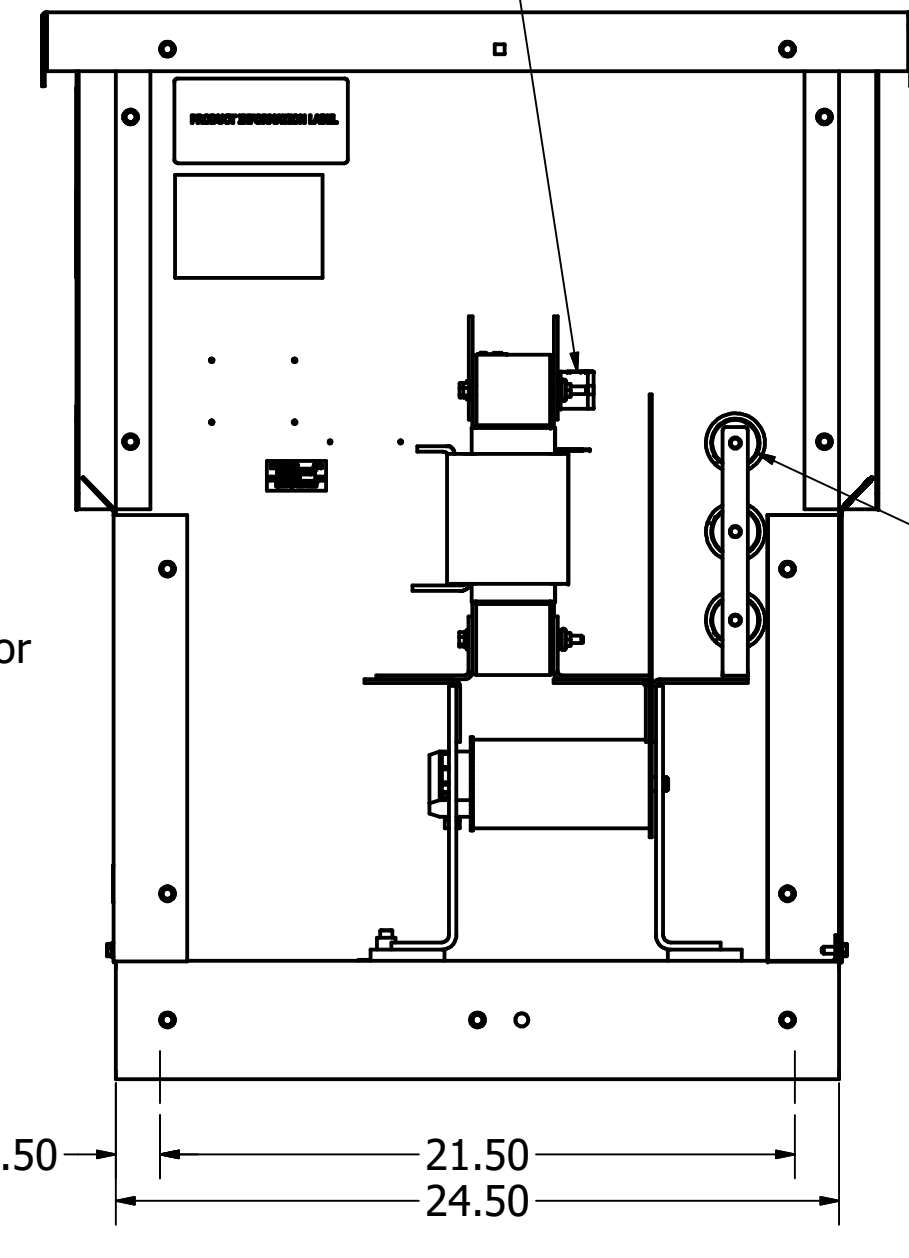
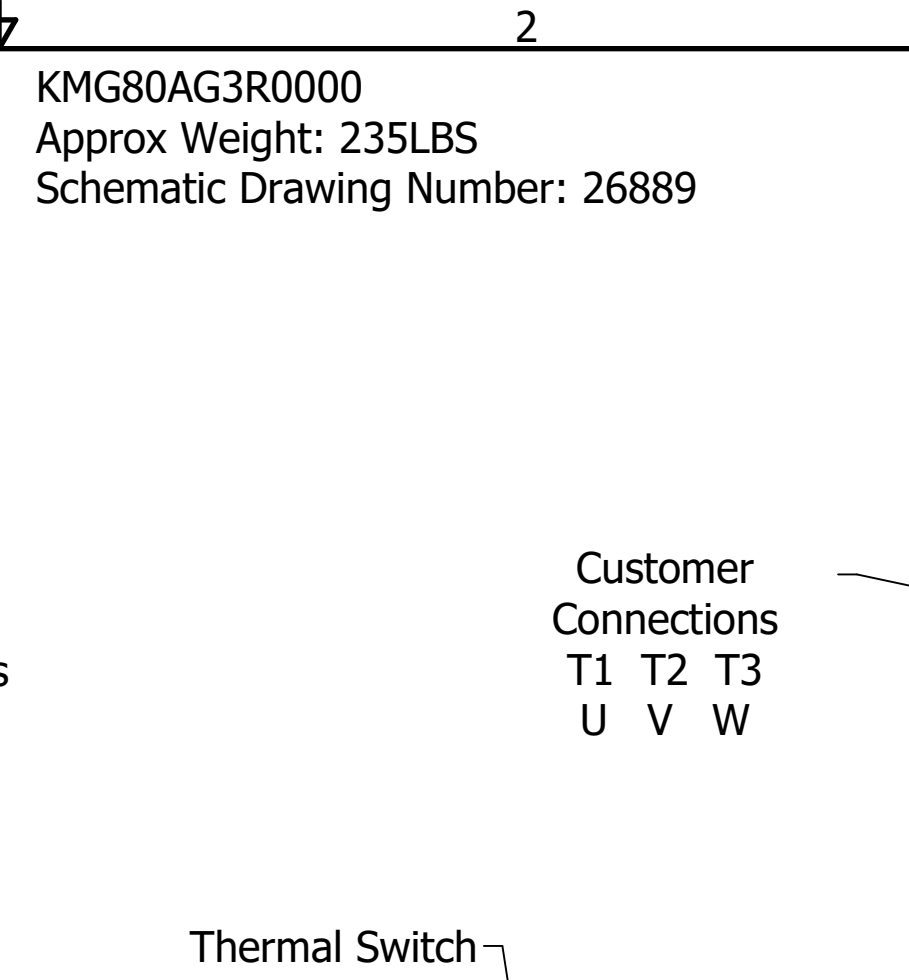


Ground Connection	
Wire Range (AWG)	Tightening Torque (LBS)
2/0-3	50
4-6	45
8	40
10-14	35



Thermal Switch Terminal Block

Wire Range: 18 AWG To 4 AWG.
 Torque: 20 LB-IN (2.3 Nm)
 Switch Opens on Temperature Rise
 Contact Rating: 6A @ 120 VAC

Customer Is Responsible For Installation to Meet All National And Local Electrical Codes.

Material(s) Shall be RoHS Compliant A

TCI, LLC CLAIMS PROPRIETARY RIGHTS IN THE MATERIAL HEREIN DISCLOSED. IT IS SUPPLIED WITHOUT PREJUDICE TO ANY PATENT RIGHTS OF TCI AND MAY NOT BE REPRODUCED OR USED TO MANUFACTURE ANYTHING SHOWN THEREIN WITHOUT WRITTEN PERMISSION FROM TCI.				TOLERANCES (EXCEPT AS NOTED)	TCI W132 N10611 Grant Drive Germantown, WI 53022 KMG, LRC Filter Standard 480/3/80, 1/3R
				DECIMAL	
				.XX ± .25 .XXX ± .10	
				FRACTIONAL ± 1/16	
	A	5192 Updated Reactor	04/09/20	JRN	DRN BY: DSW
	NO	REVISION	DATE	BY	DATE: 12/02/08
					SCALE: APRVD:
					SIZE: 103877DG
					ANGULAR: ± 1°
					SCALE: C
					SHT. 1 OF 1