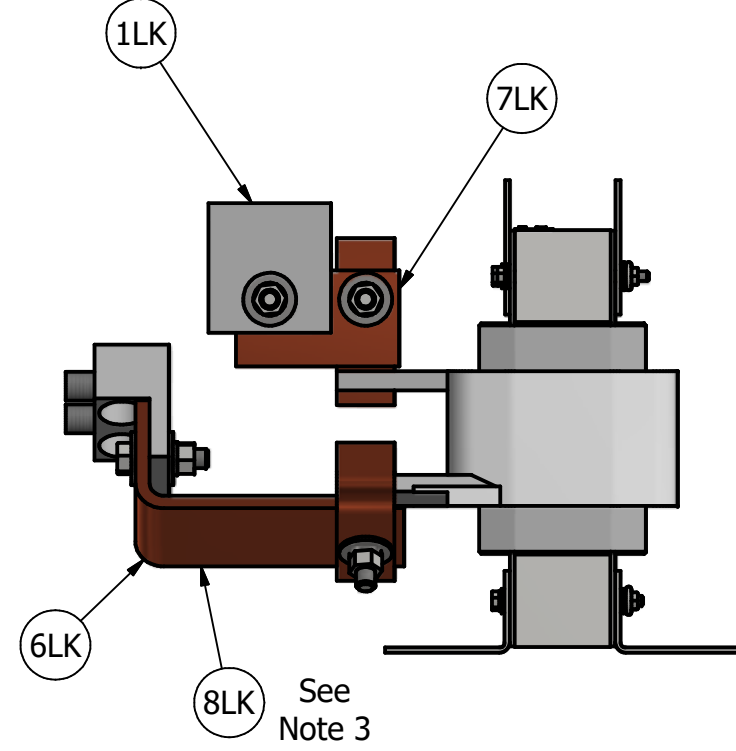
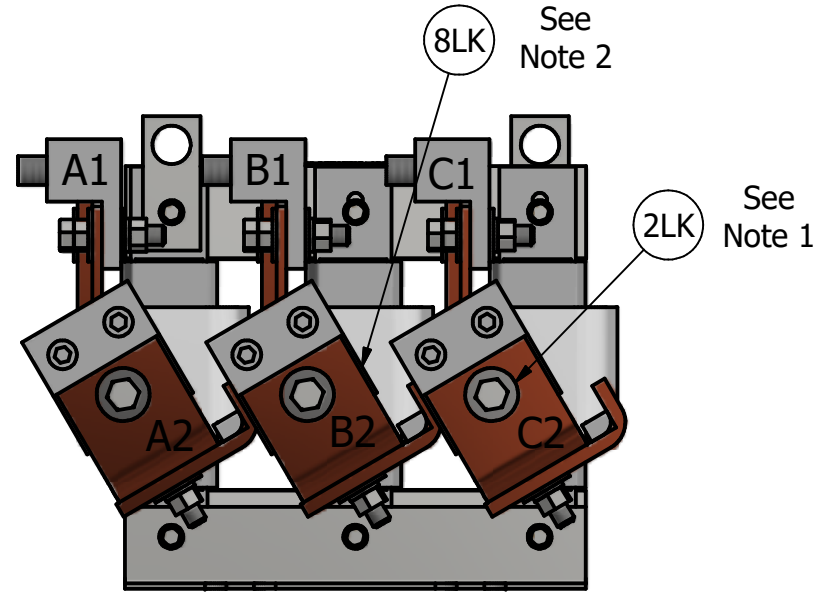
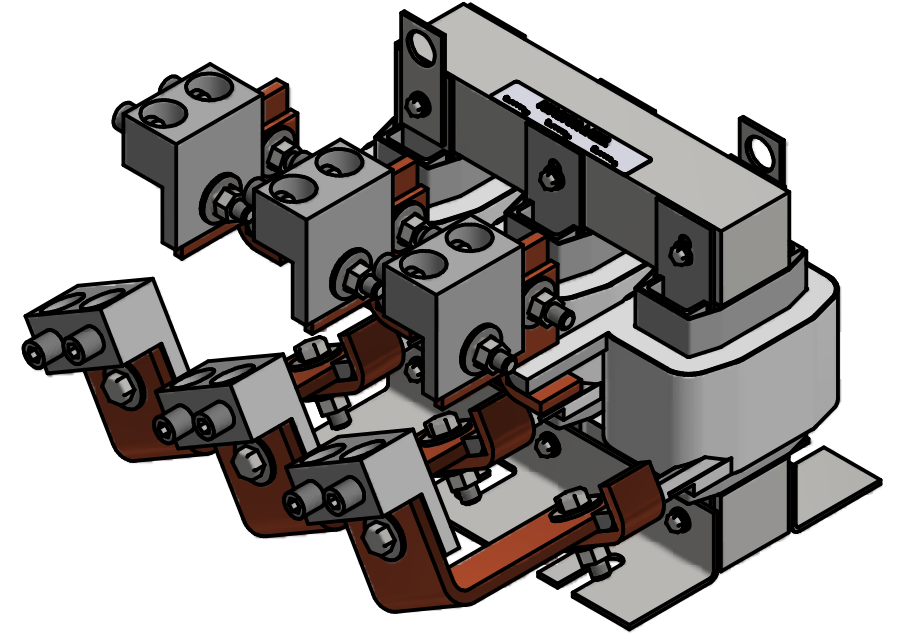


Parts List			
TCI Part #	Description	Quantity	Item #
21295	Lug Two 800 kcmil	6	1LK
10251	Hex Hd Bolt 1/2-13 X 2 In	12	2LK
1610	Nut 1/2-13	12	3LK
1512	Flat Washer 1/2"	24	4LK
1511	Split Lock Washer	12	5LK
31550	Term, Bar, With Bend/Holes	3	6LK
31551	Term, Bar, With Holes	3	7LK
30017	Insulation	2	8LK


\* AU-800  
\* CSA Certified.  
\* UL 486A/B Listed, UL File E6207

Table AU-800				
Item ID	Conductor Range	Bolt/Stud Size	Hex Size	Tightening Torque
AU-800	800kcmil-300kcmil	1/2	1/2	500 in-lb (56.5 N-m)



- Notes:
- 1.) Torque bolt (Item #2LK) to 450 in-lb (51 N-m).
  - 2.) Place Insulation Between Phases/Terminals Less Than 1 In Apart. Cut As Needed.
  - 3.) Place Insulation Under Bar If Less Than An Inch Above Lower Surface.

Follow NEC guidelines to determine acceptable wire ampacity requirements.

TCI, LLC CLAIMS PROPRIETARY RIGHTS IN THE MATERIAL HEREIN DISCLOSED. IT IS SUPPLIED WITHOUT PREDJUDICE TO ANY PATENT RIGHTS OF TCI AND MAY NOT BE REPRODUCED OR USED TO MANUFACTURE ANYTHING SHOWN THEREIN WITHOUT WRITTEN PERMISSION FROM TCI.				TOLERANCES (EXCEPT AS NOTED)	 W132 N10611 Grant Drive Germantown, WI 53022		
				DECIMAL		Lug Kit, 2-800MCM-300	
				.XX ± .25 .XXX ± .10	DRN. BY: JRN		DATE: 4/19/18
				FRACTIONAL ± 1/16	SCALE:	APRVD:	SIZE: B
			ANGULAR ± 1°			SHT.1 OF 1	
NO	REVISION	DATE	BY				