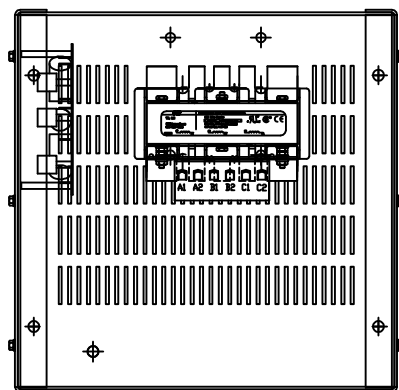
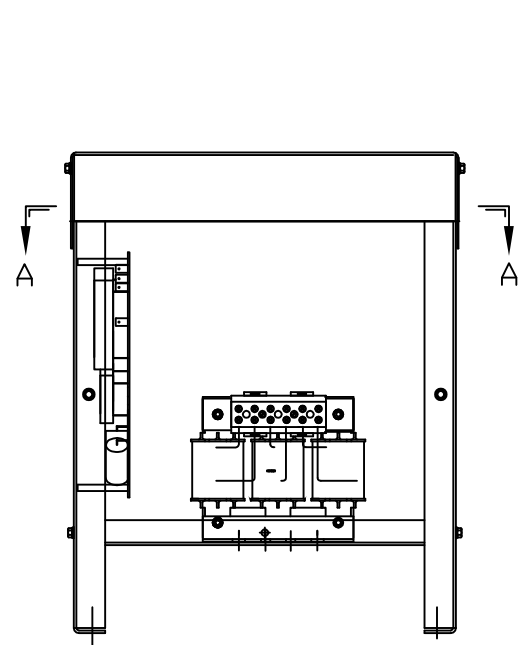
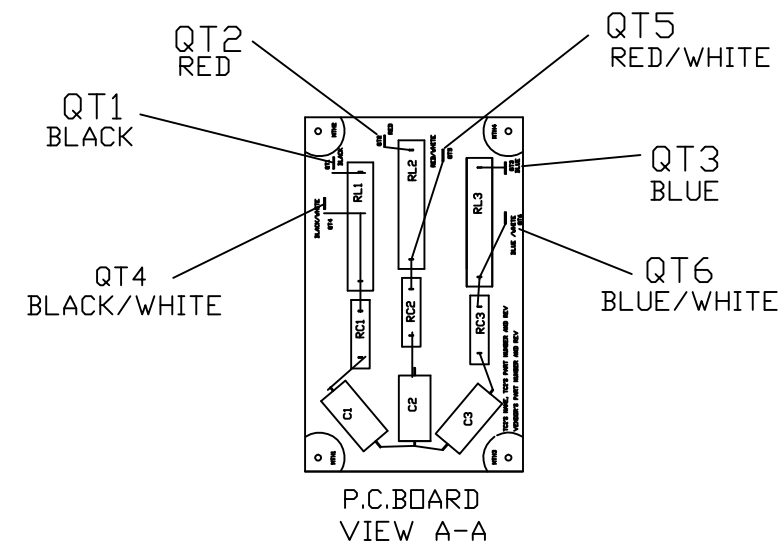
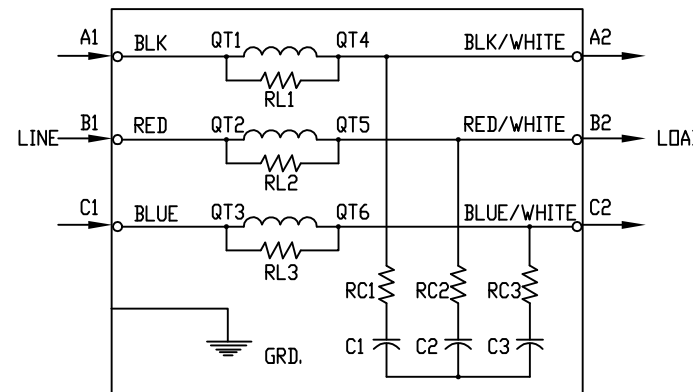
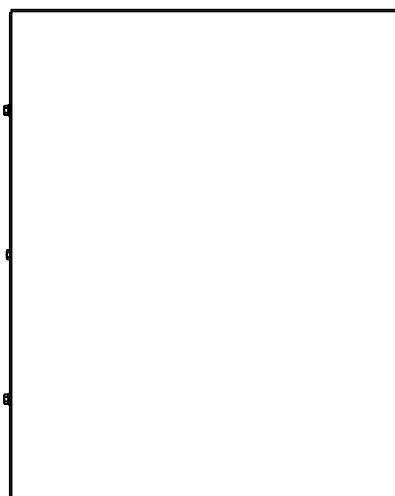


"SEE V1K INSTALLATION GUIDE FOR TERMINAL WIRE SIZE AND TORQUE"

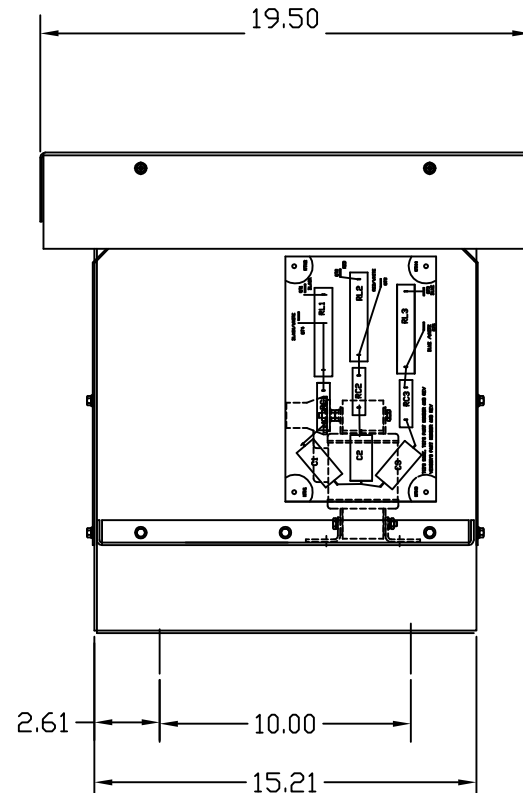
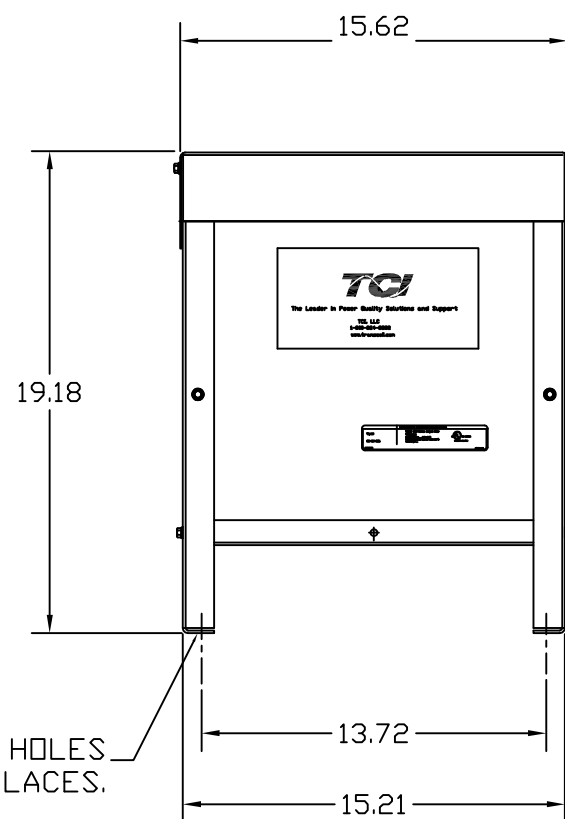
| SPECIFICATIONS: | |
|-----------------|---------|
| AMP. | 80 |
| VOLT | 240-600 |
| PHASE | 3 |
| HZ | 60 |
| WEIGHT, LBS. | 62 |
| ENCLOSURE | TYPE 3R |



SECTION A-A



.44 DIA HOLES
4 PLACES.



CUSTOMER IS RESPONSIBLE FOR INSTALLATION TO MEET ALL NATIONAL AND LOCAL ELECTRICAL CODES.

TCI, LLC CLAIMS PROPRIETARY RIGHTS IN THE MATERIAL HEREIN DISCLOSED. IT IS SUPPLIED WITHOUT PREDJUDICE TO ANY PATENT RIGHTS OF TCI AND MAY NOT BE REPRODUCED OR USED TO MANUFACTURE ANYTHING SHOWN THEREIN WITHOUT WRITTEN PERMISSION FROM TCI.

| TOLERANCES (EXCEPT AS NOTED) | | | |
|------------------------------|---------------|-----------|-----|
| DECIMAL | | | |
| .XX ±.03 | | | |
| .XXX±.01 | | | |
| FRACTIONAL | | | |
| ± 1/32 | | | |
| ANGULAR | | | |
| ± 1/2° | | | |
| NO | REVISION | DATE | BY |
| 3216 | ADD SEE GUIDE | 12/8/2014 | DSW |



W132 N10611 GRANT DRIVE
GERMANTOWN, WI 53022

| | | | |
|--------------------------|------|------|----------|
| V1K80A03, OUTPUT FILTER | | | |
| 80 AMP, ENCLOSED TYPE 3R | | | |
| DRN. BY | RJC | DATE | 5/20/10 |
| SCALE | NONE | SIZE | B |
| DWG. NO. | | | 104229DG |
| SHT. 1 | | | OF 1 |