

4

3

2

1

Parts List			
TCI Part #	Description	Quantity	Item #
11443	Lug Three 600 kcmil	6	1LK
10251	Hex Hd Bolt 1/2-13 X 2 In	12	2LK
1610	Nut 1/2-13	12	3LK
1512	Flat Washer 1/2"	24	4LK
1511	Split Lock Washer	12	5LK

Table T3A2-600N				
Item ID	Conductor Range	Bolt/Stud Size	Hex Size	Tightening Torque
T3A2-600N	600kcmil-2AWG	1/2	1/2	500 in-lb (56.5 N-m)

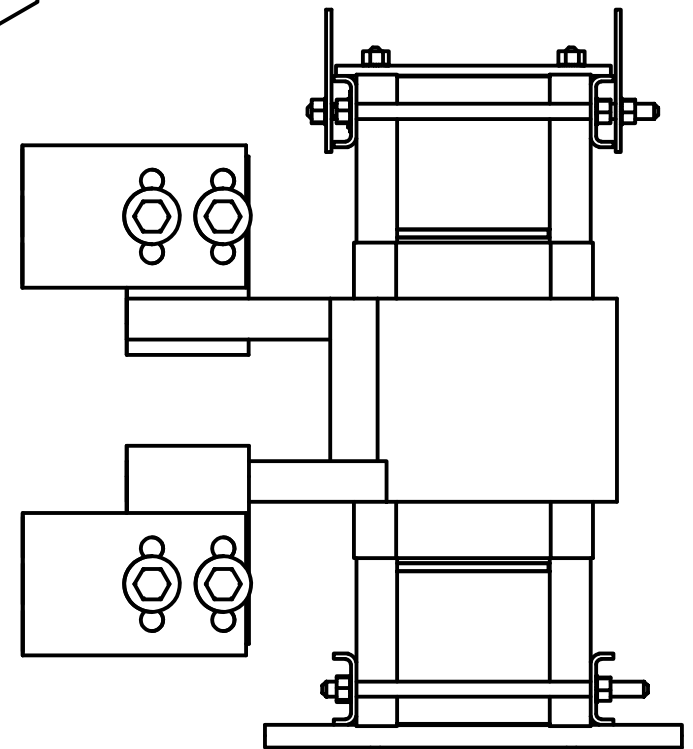
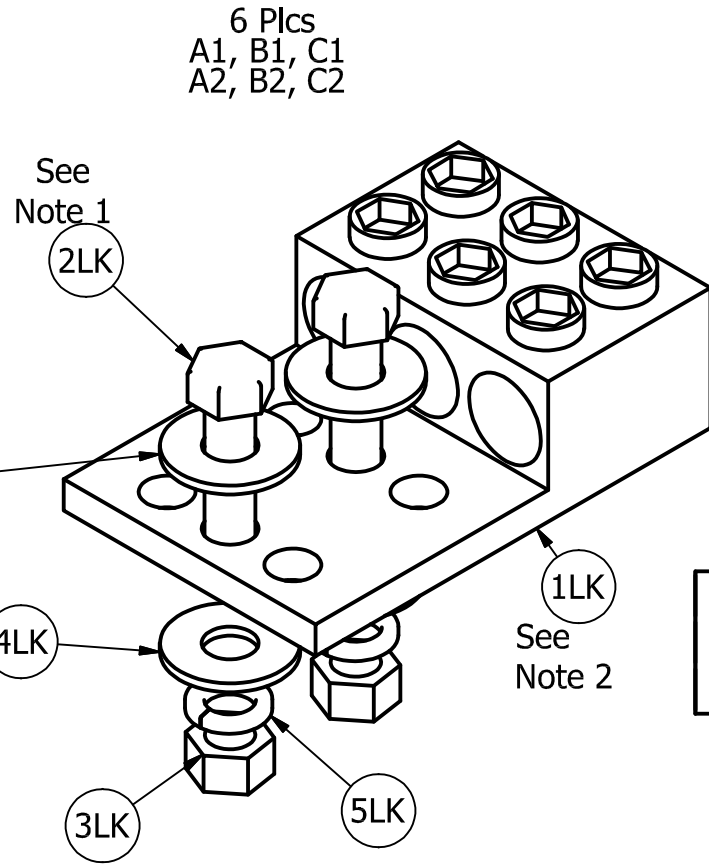
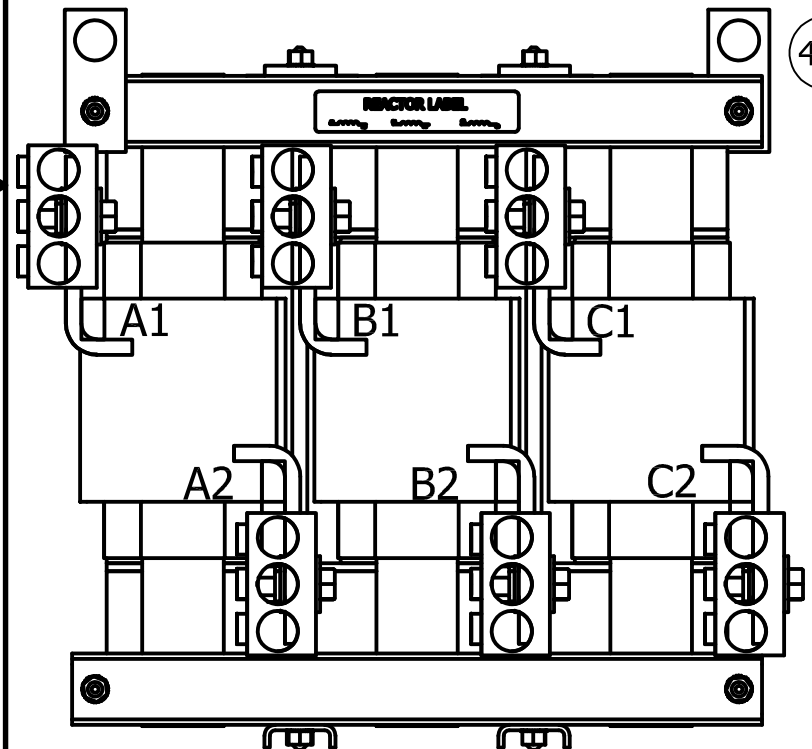
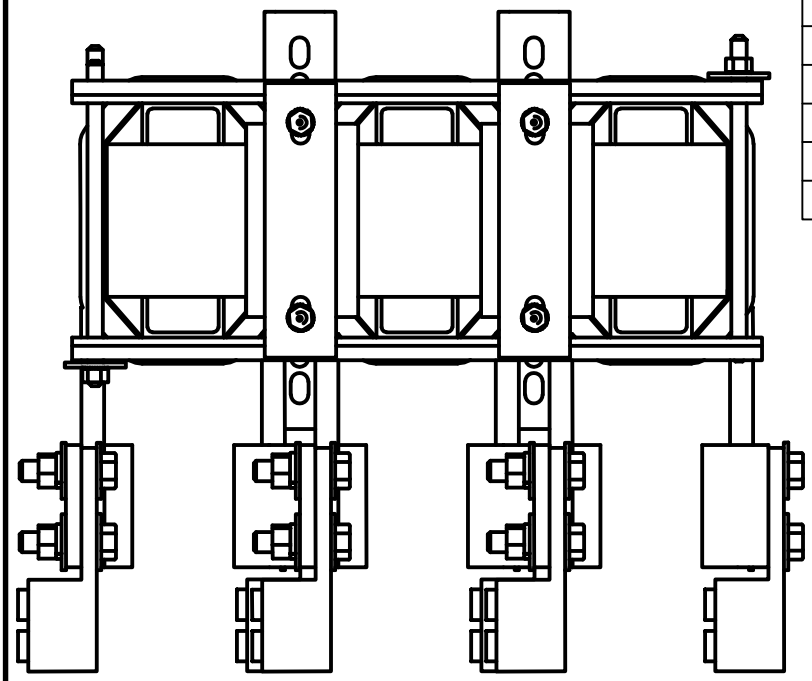
* T3A2-600N
 * CSA Certified.
 * UL 486A/B Listed, UL File E6207
 * Must be mounted with a minimum of 2 bolts

B

B

A

A



Notes:
 1.) Torque bolt (Item #2LK) to 450 in-lb (50.8 N-m).
 2.) To prevent lug from rotating place lug on underside of tab as shown.

Follow NEC guidelines to determine acceptable wire ampacity requirements.

				TOLERANCES (EXCEPT AS NOTED)		TCI W132 N10611 Grant Drive Germantown, WI 53022
				DECIMAL		
				.XX ± .25		Lug Kit, 3-600MCM-2
				.XXX ± .10		
				FRACTIONAL		DRN. BY: JRN
				± 1/16		DATE: 8/31/17
				ANGULAR		LK16-Dwg
				± 1°		SCALE: B
NO	REVISION	DATE	BY			SIZE: B
						SHT.1 OF 1

4

3

2

1