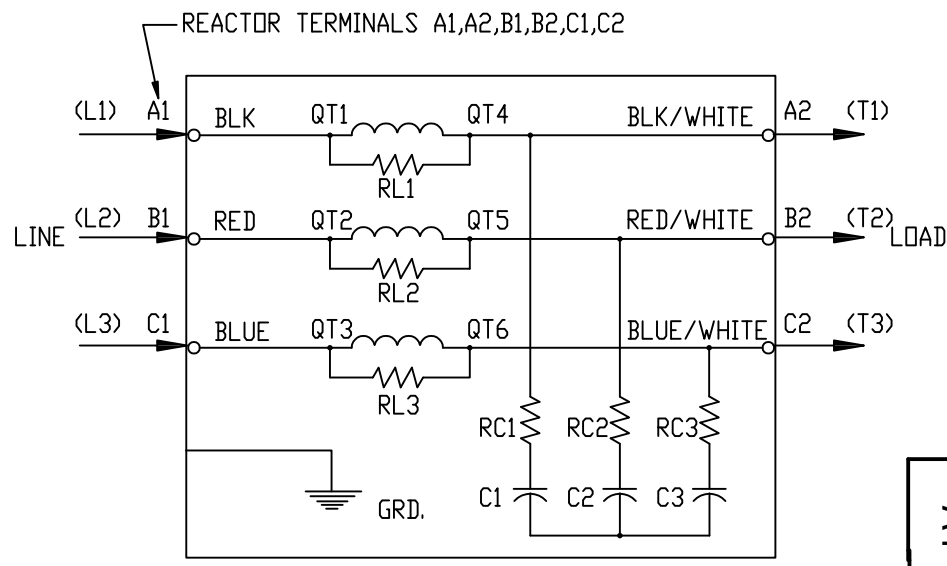


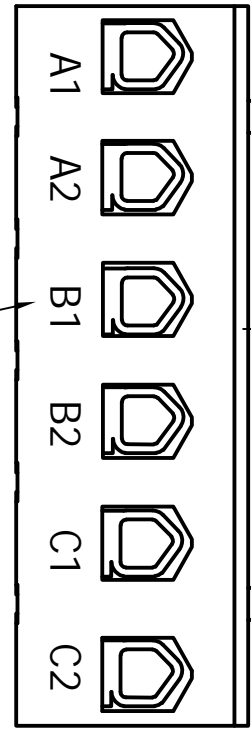
See V1K Installation Guide For Terminal Wire Size And Torque Information.

Note: Maintain Clearance of 3 Inches On All Sides To Other Equipment.

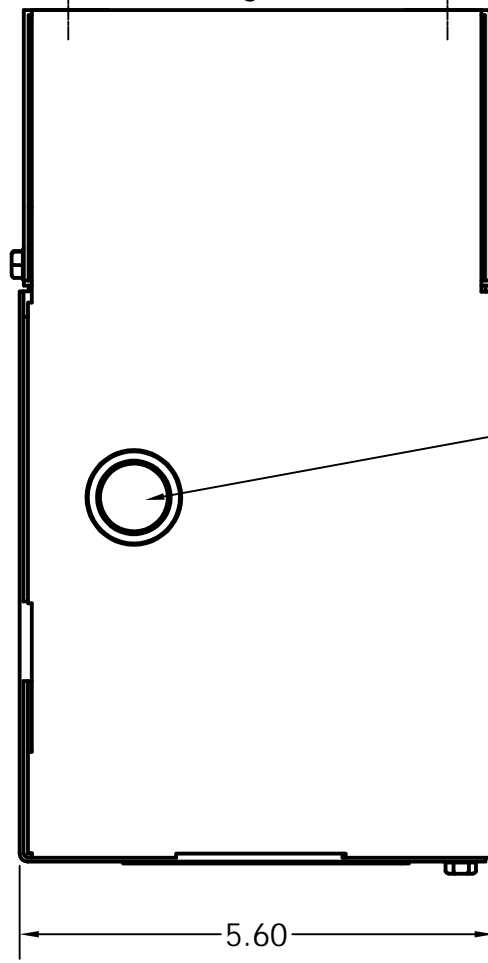


REACTOR AND BOARD ASSEMBLY CONNECTIONS

(Customer Connections) Markings On Terminal Block For Reference Only.

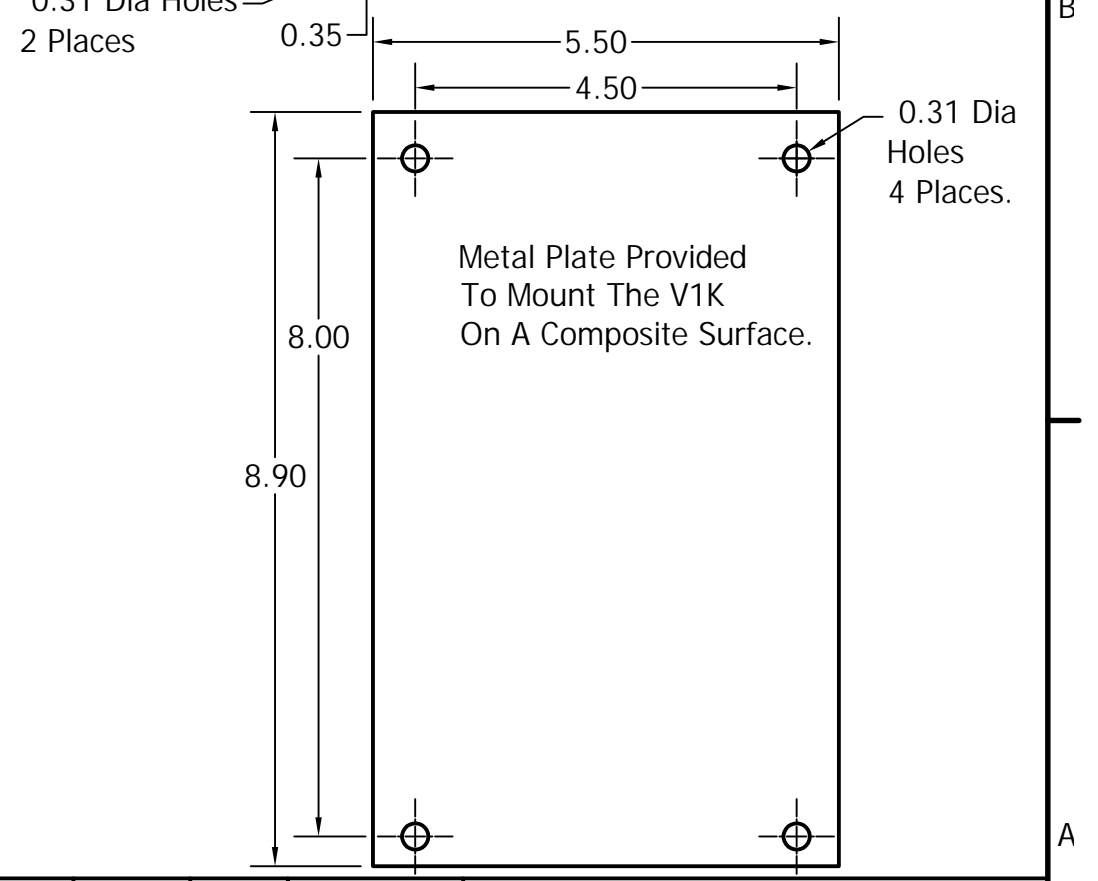
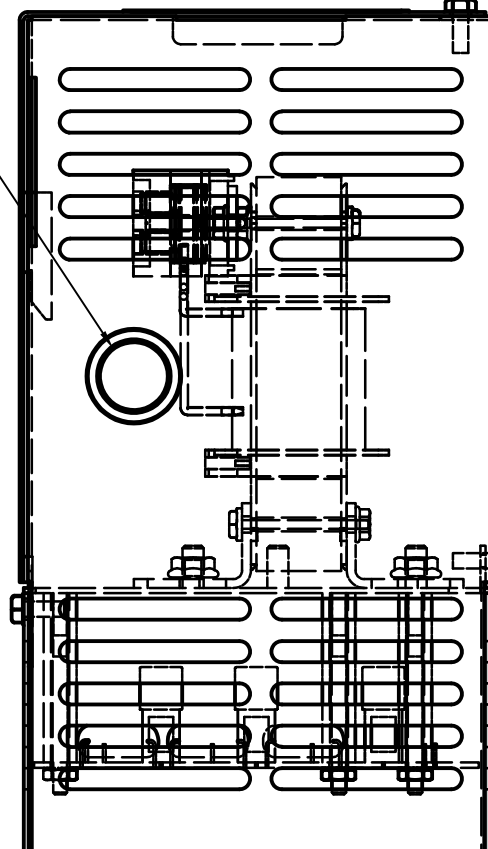
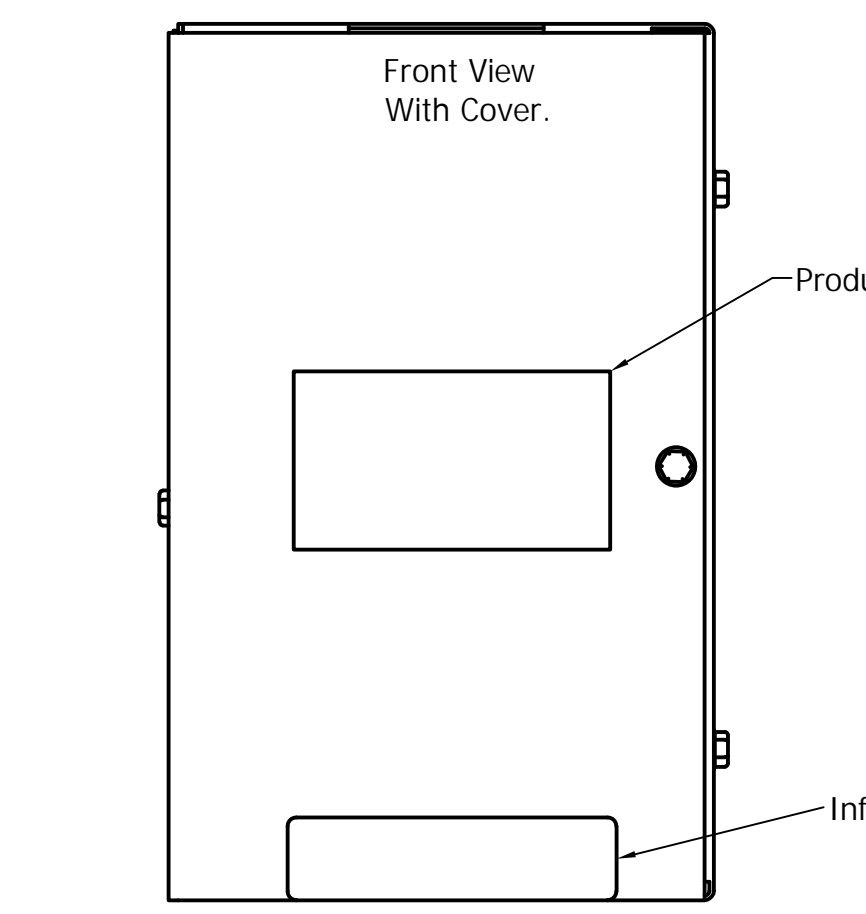
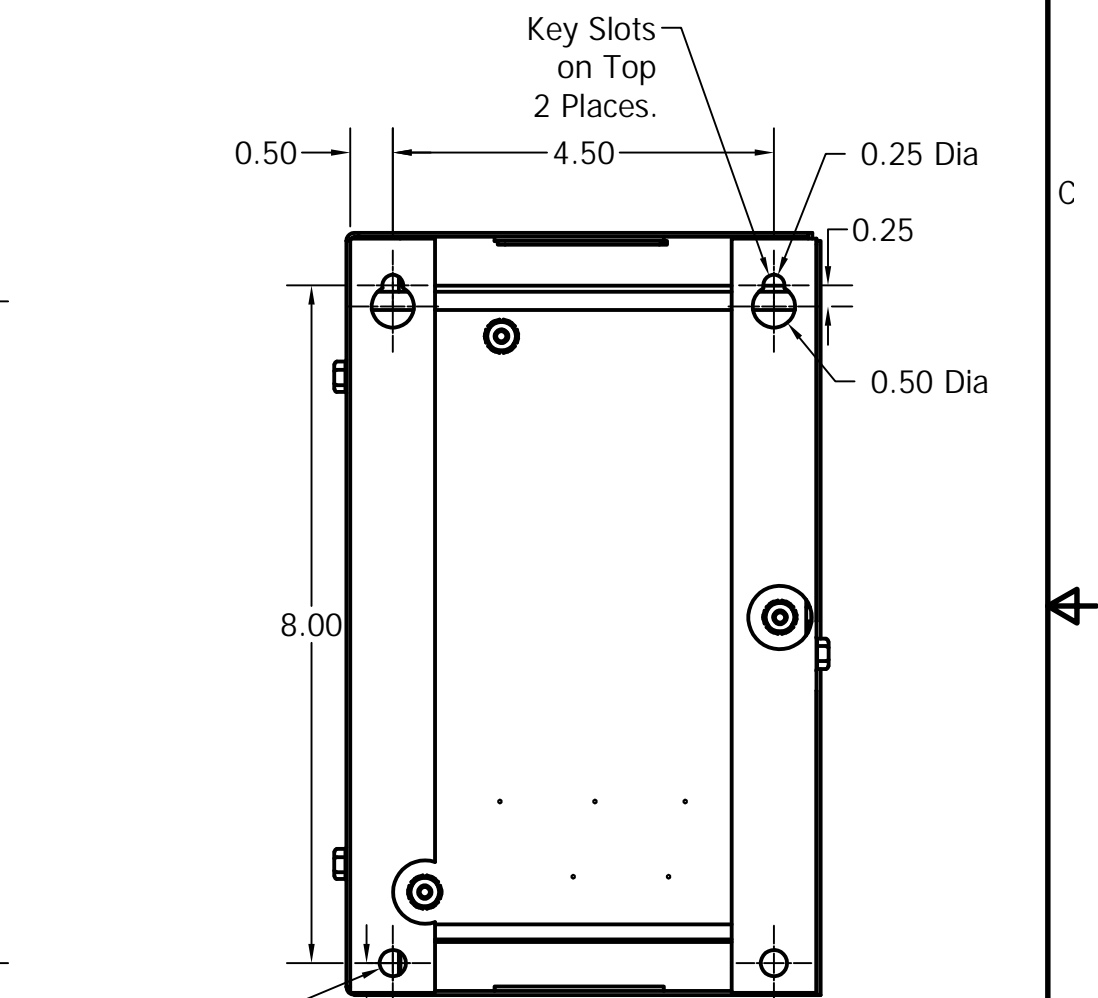
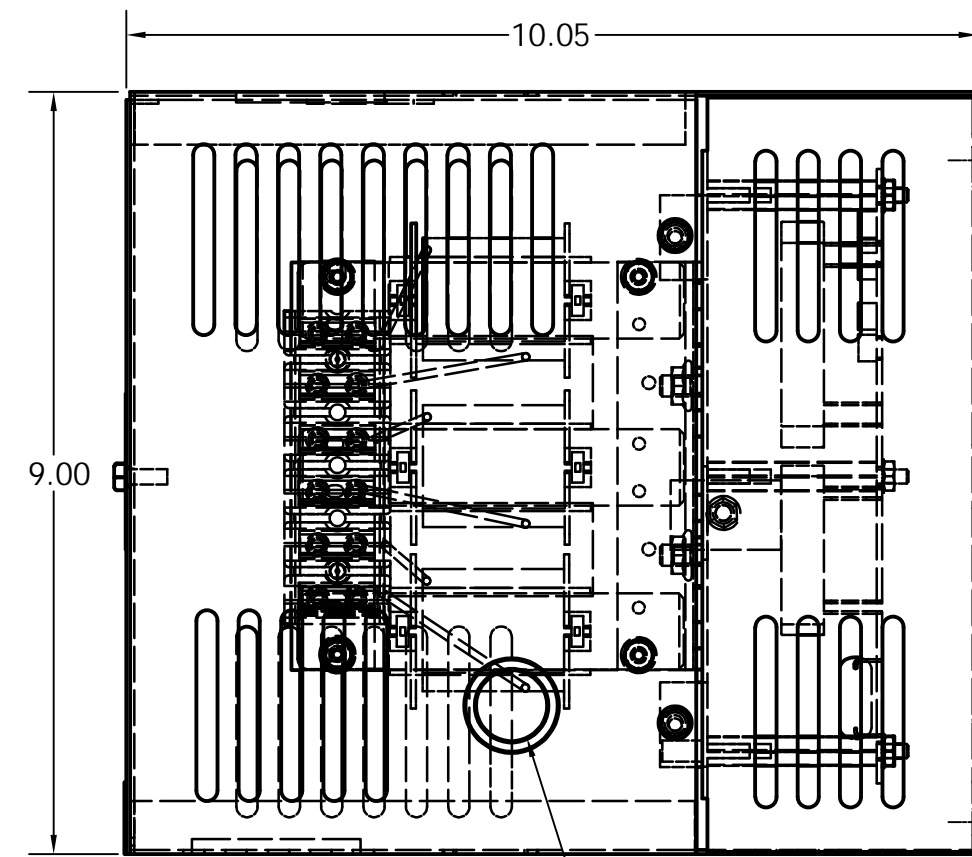
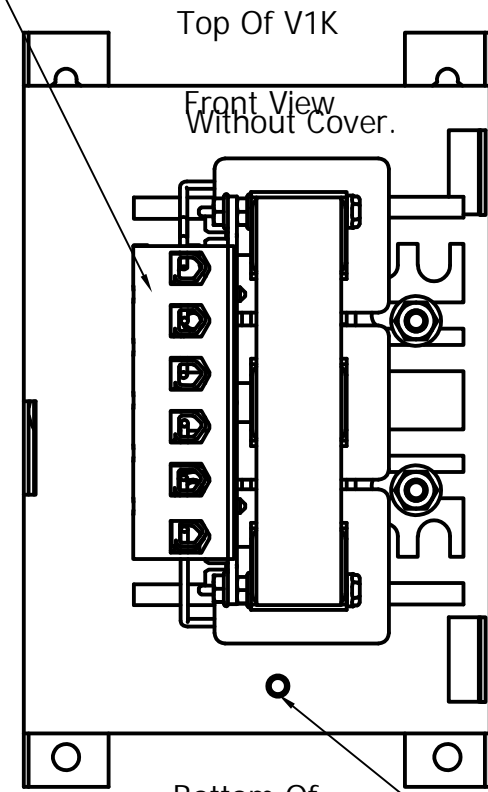
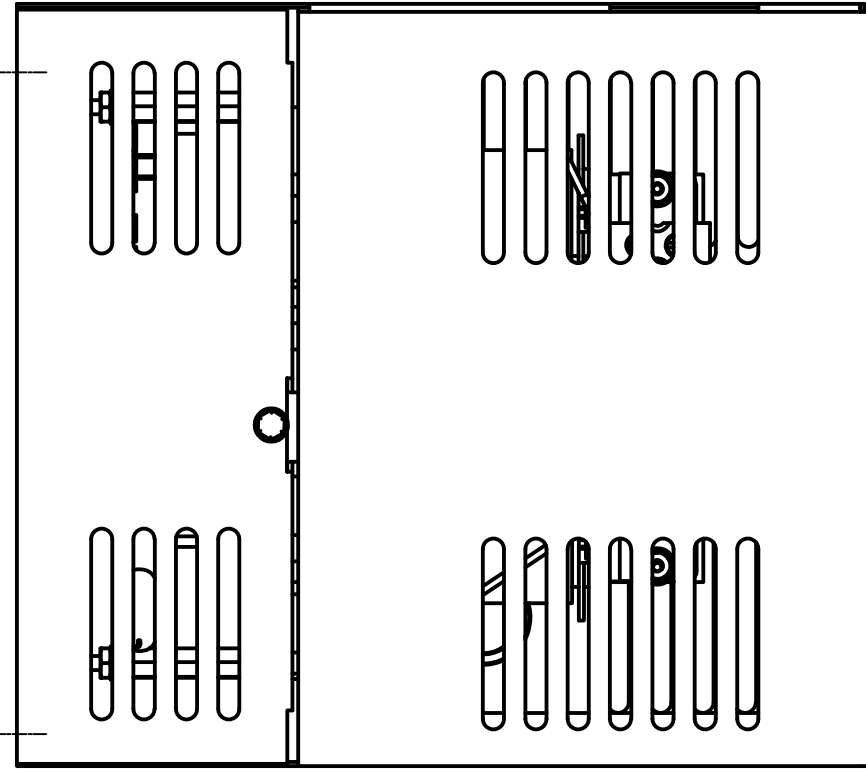


Back Of V1K Mounted Against Wall



7/8-1-1/8 Knockouts 3 Places. For Customer Entry Options.

V1K Part Number	Rated Voltage	Amps	Phase	Weight (LBS)
V1K16A01	600	16	3	15
V1K16A01EX	600	16	3	15
V1K18A01	600	18	3	15
V1K18A01EX	600	18	3	15
V1K21A01	600	21	3	15
V1K21A01EX	600	21	3	15
V1K27A01	600	27	3	15
V1K27A01EX	600	27	3	15



Customer Is Responsible For Installation to Meet All National And Local Electrical Codes.

Material(s) Shall be RoHS Compliant

TCL LLC CLAIMS PROPRIETARY RIGHTS IN THE MATERIAL HEREIN DISCLOSED. IT IS SUPPLIED WITHOUT PREJUDICE TO ANY PATENT RIGHTS OF TCL AND MAY NOT BE REPRODUCED OR USED TO MANUFACTURE ANYTHING SHOWN THEREIN WITHOUT WRITTEN PERMISSION FROM TCL.

NO	REVISION	DATE	BY	SCALE
E	4030, Combine V1K Drawings	6/23/17		

TOLERANCES (EXCEPT AS NOTED)
DECIMAL
.XX ± .25
.XXX ± .10
FRACTIONAL
± 1/16
ANGULAR
± 1°

TCL® W132 N10611 Grant Drive
Germantown, WI 53022

V1K, Enclosed, TYPE 1
16 Amps to 27 Amps

DRN BY: DSW DATE: 4/26/17
SCALE: TO FIT APRVD: SIZE: 102324DG
SHT 1 OF 1