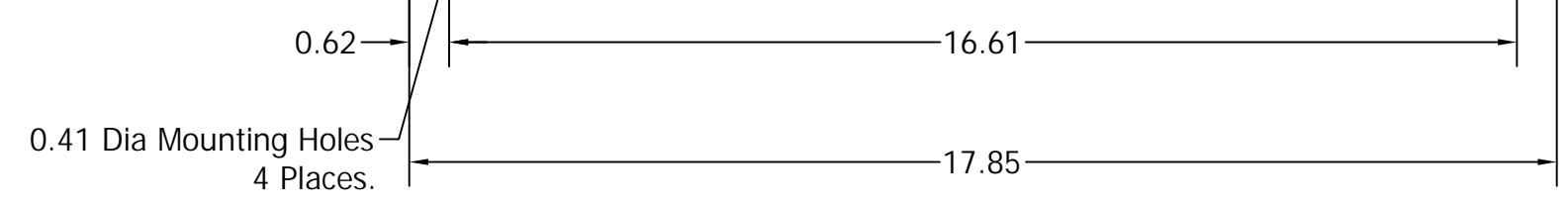
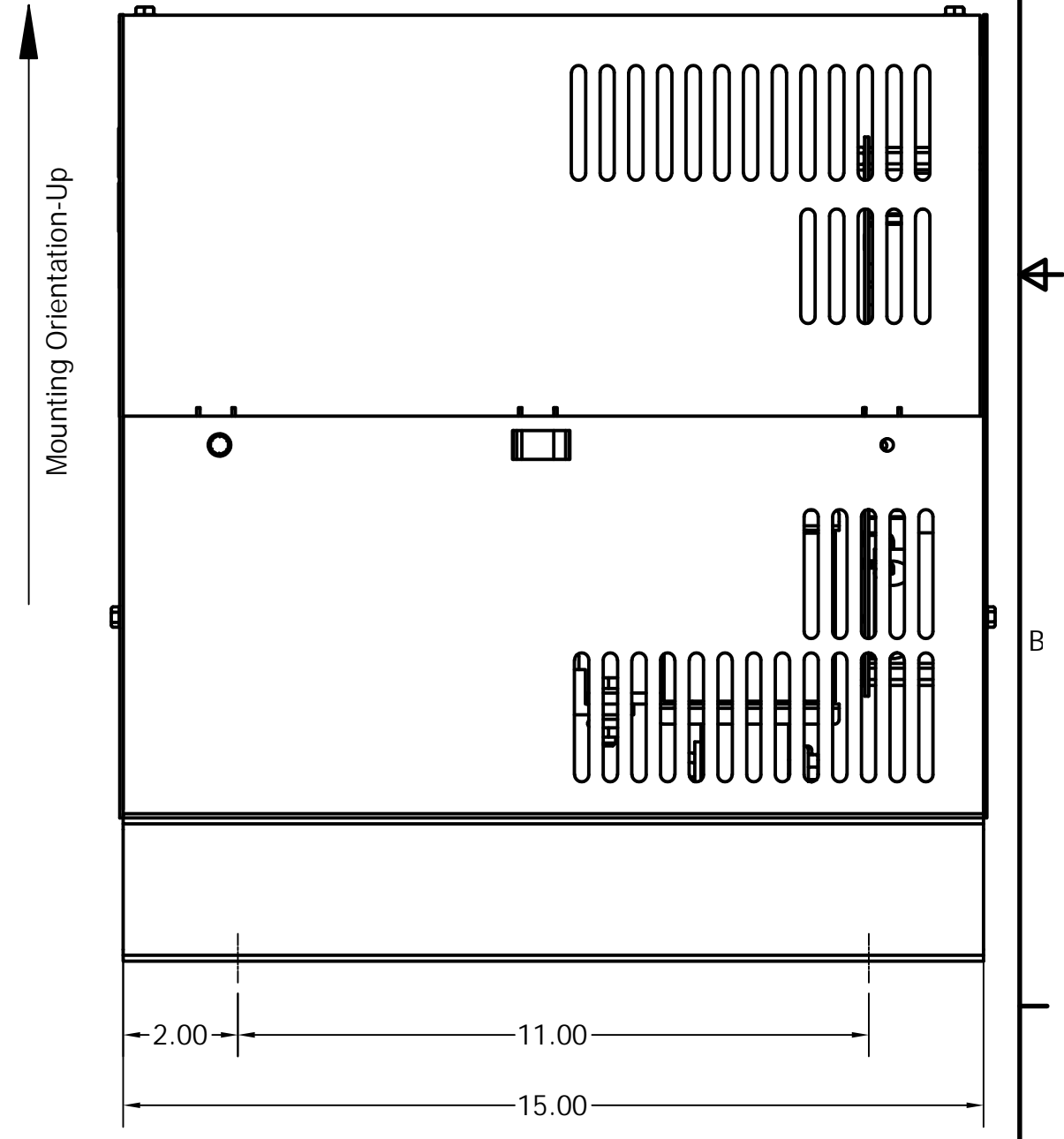
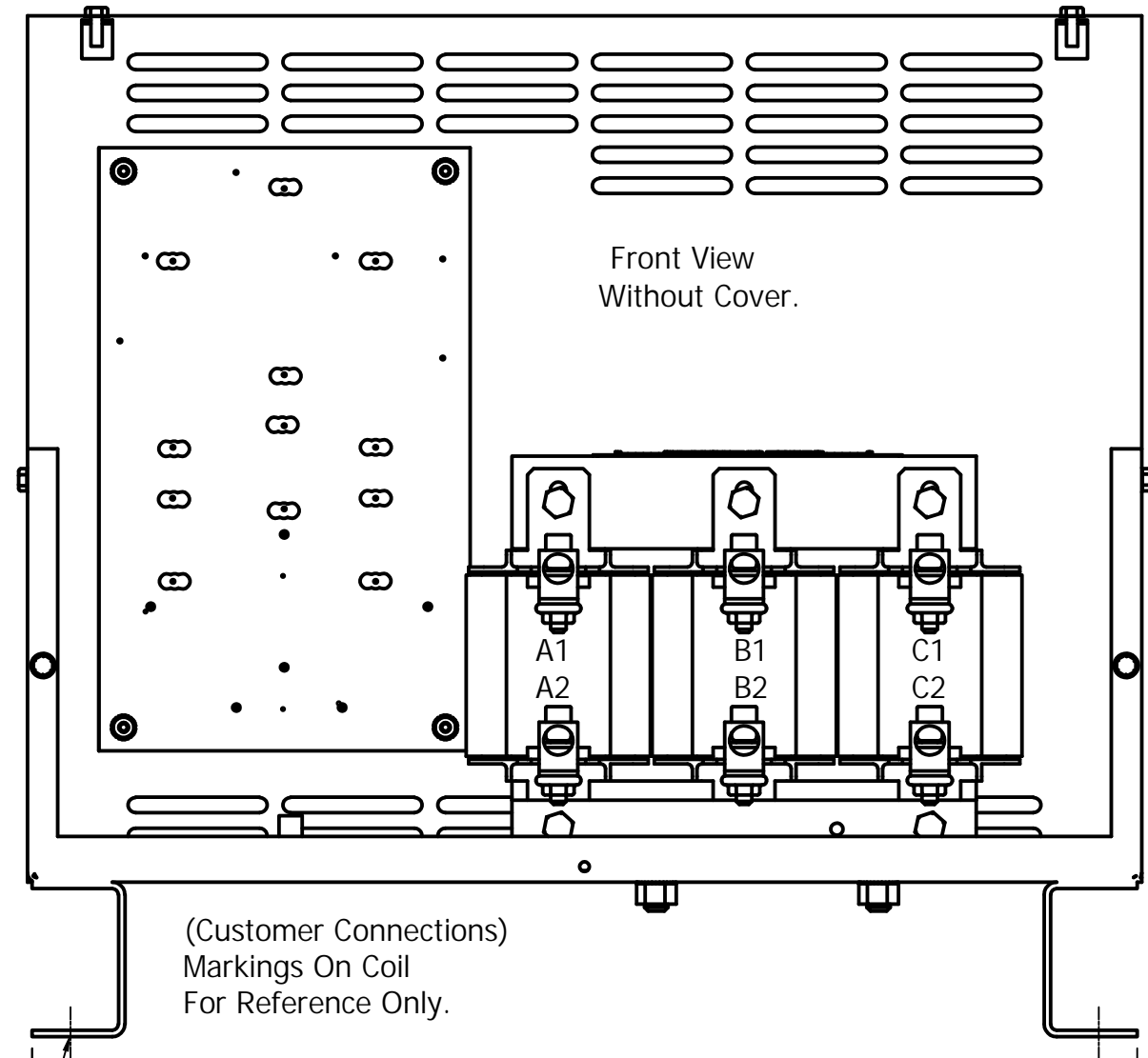
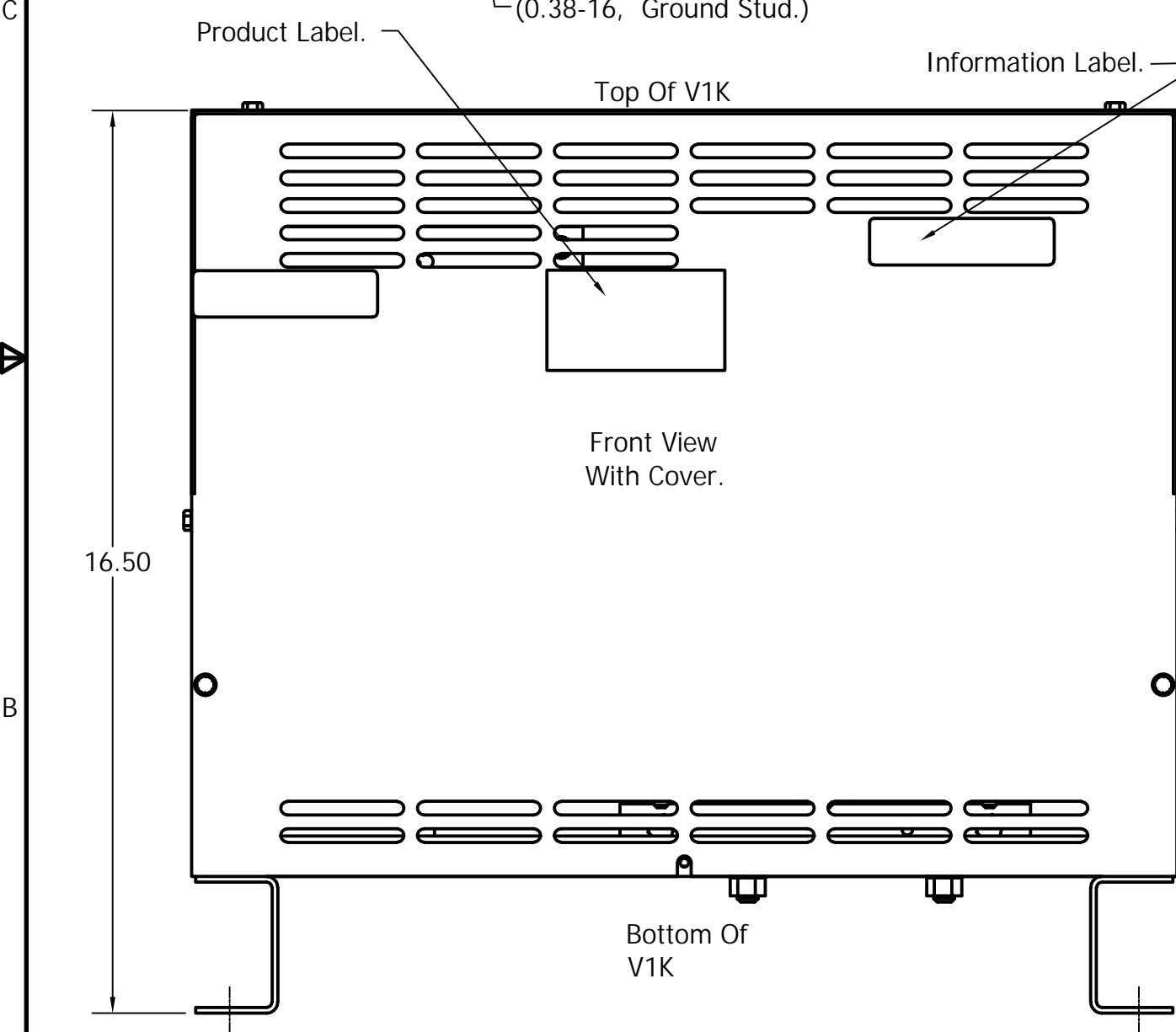
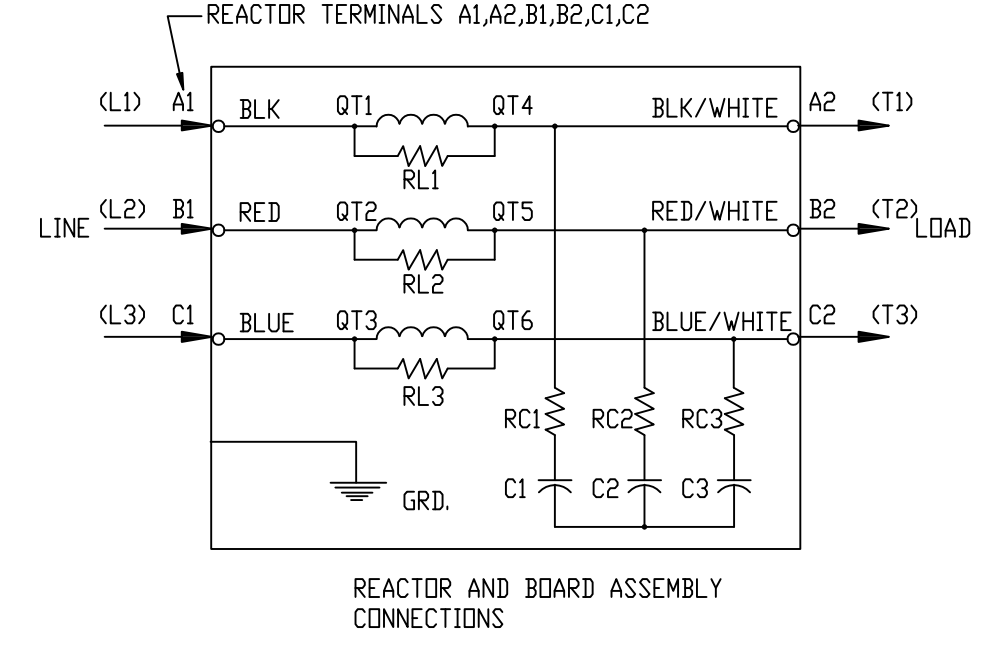


See V1K Installation Guide For Terminal Wire Size And Torque Information.  
 Note: Maintain Clearance of 3 Inches On All Sides To Other Equipment.

V1K Part Number	Rated Voltage	Amps	Phase	Weight (LBS)
V1K110A01	600	110	3	68
V1K110A01EX	600	110	3	68



Customer Is Responsible For Installation to Meet All National And Local Electrical Codes.

Material(s) Shall be RoHS Compliant

TCI, LLC CLAIMS PROPRIETARY RIGHTS IN THE MATERIAL HEREIN DISCLOSED. IT IS SUPPLIED WITHOUT PREJUDICE TO ANY PATENT RIGHTS OF TCI AND MAY NOT BE REPRODUCED OR USED TO MANUFACTURE ANYTHING SHOWN THEREIN WITHOUT WRITTEN PERMISSION FROM TCI.				TOLERANCES (EXCEPT AS NOTED)	W132 N10611 Grant Drive Germantown, WI 53022  <b>V1K, Enclosed</b> <b>110 Amps</b>  DRN BY: DSW DATE: 4/26/17 SCALE: TO FIT APRVD: SIZE: 102407DG C
				DECIMAL	
				.XX ± .25 .XXX ± .10	
				FRACTIONAL ± 1/16	
	G 4030, Combine, Update V1K Drawings	6/23/17		ANGULAR ± 1°	
	NO REVISION	DATE	BY		