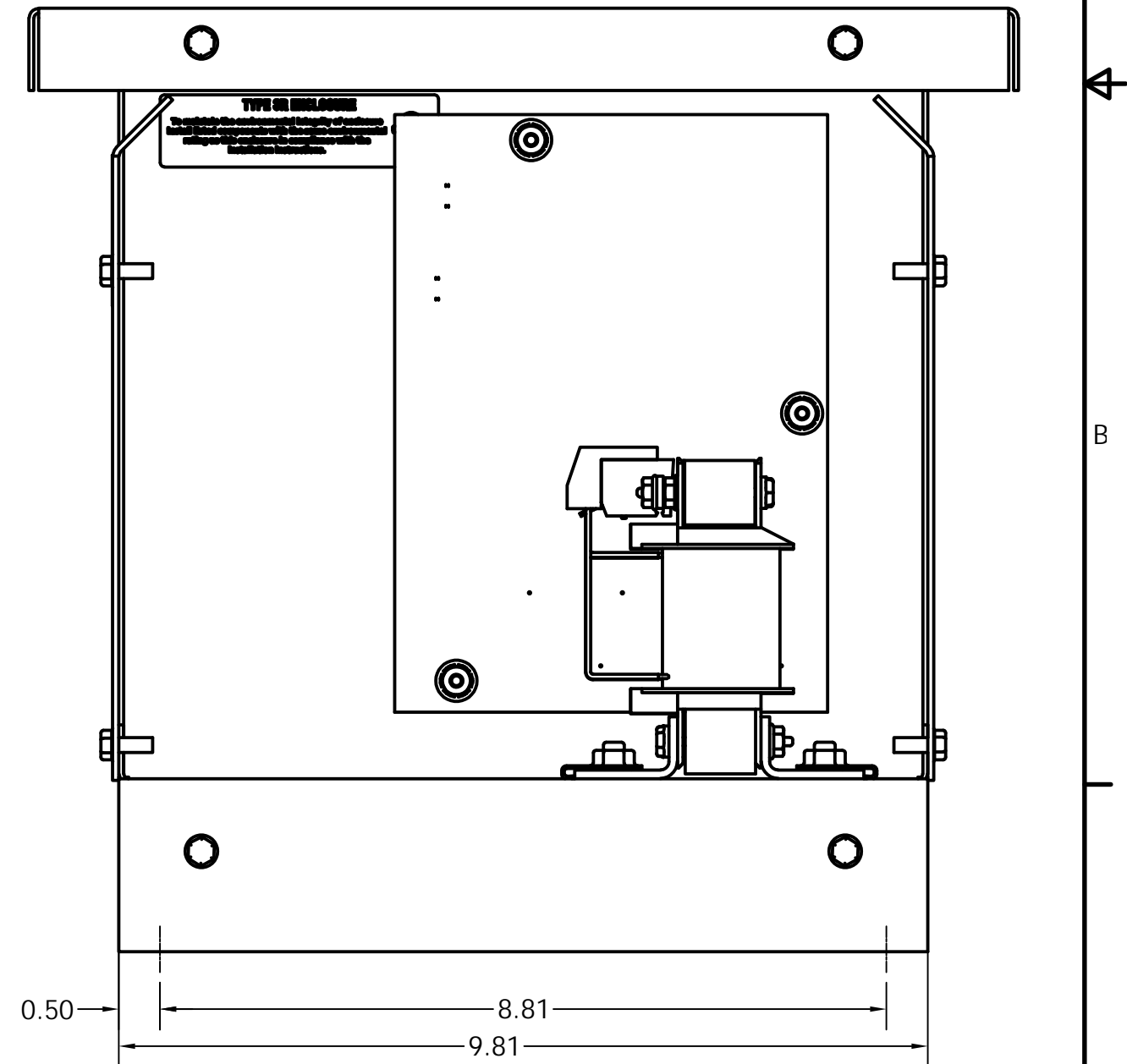
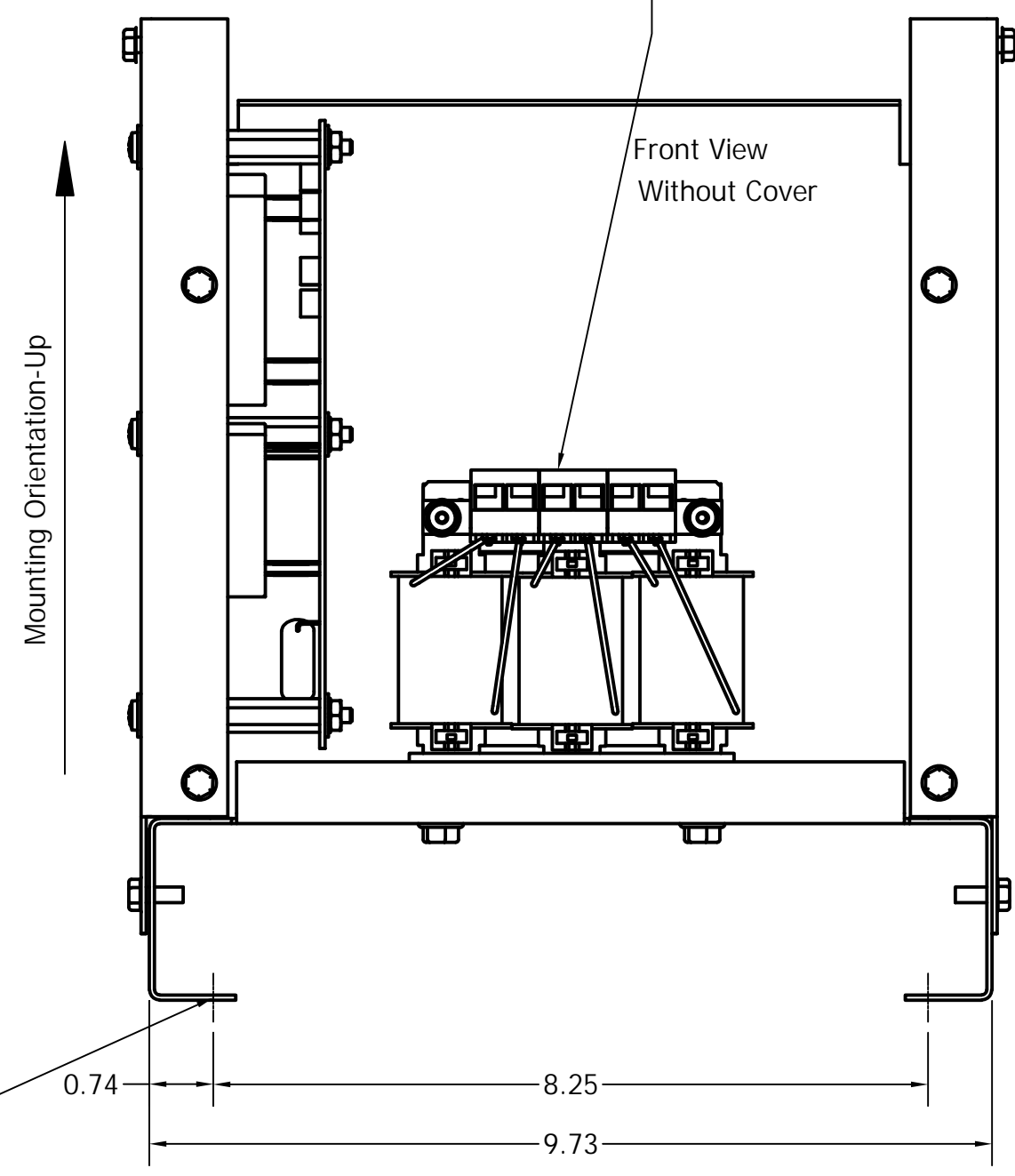
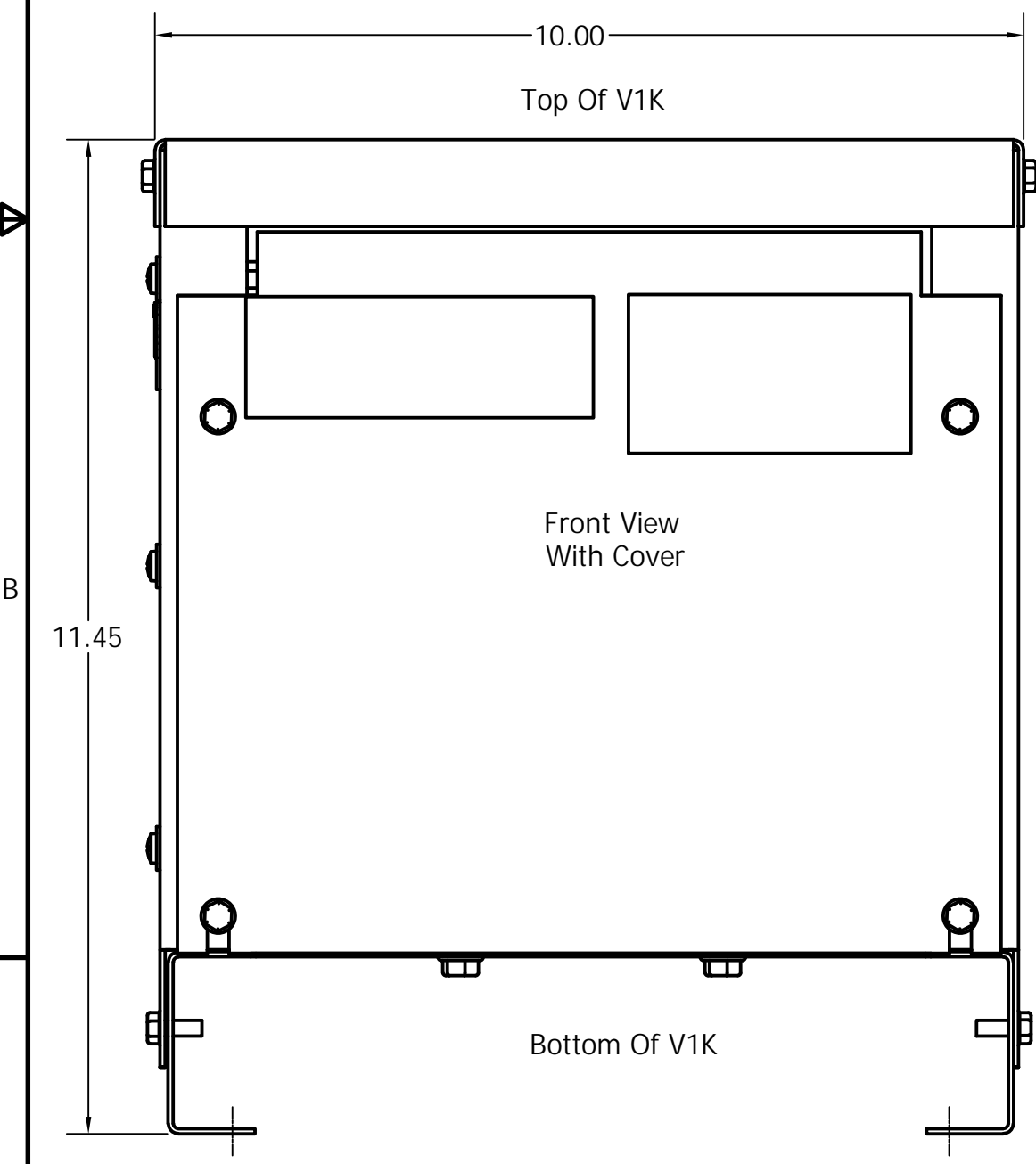
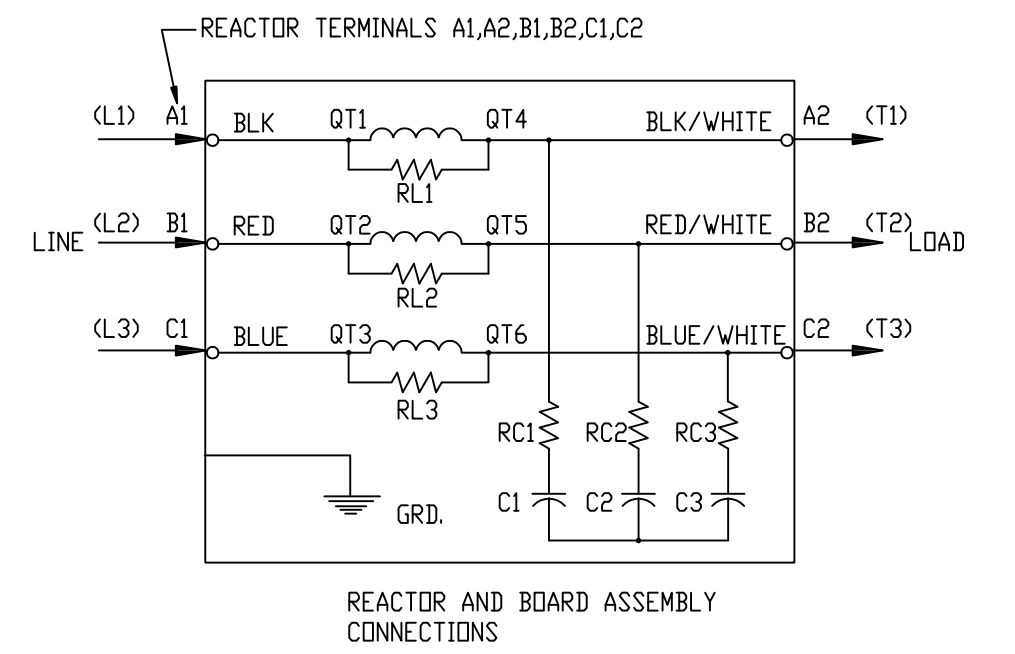
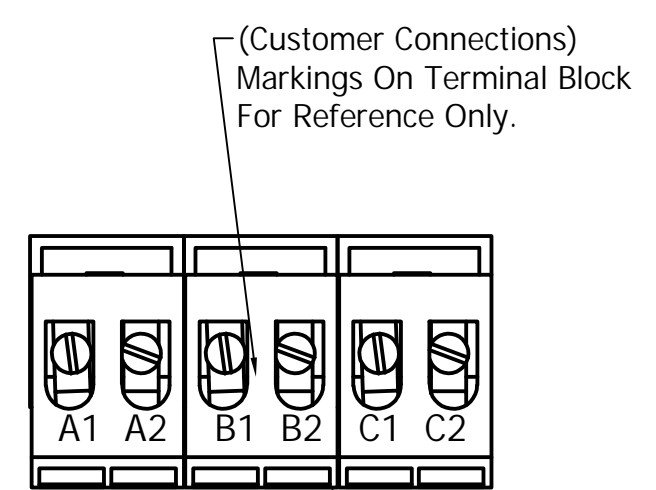


See V1K Installation Guide For Terminal Wire Size And Torque Information.
 Note: Maintain Clearance of 3 Inches On All Sides To Other Equipment.

V1K Part Number	Rated Voltage	Amps	Phase	Weight (LBS)
V1K2A03	600	2	3	25
V1K2A03EX	600	2	3	25
V1K3A03	600	3	3	25
V1K3A03EX	600	3	3	25
V1K4A03	600	4	3	25
V1K4A03EX	600	4	3	25
V1K6A03	600	6	3	25
V1K6A03EX	600	6	3	25
V1K8A03	600	8	3	25
V1K8A03EX	600	8	3	25
V1K12A03	600	12	3	25
V1K12A03EX	600	12	3	25

Suggested Customer Entry Side Of Enclosure.
 Suggested Customer Entry Bottom Of Enclosure.



0.27 Dia Mounting Holes
4 Places.

Mounting Orientation-Up

Material(s) Shall be RoHS Compliant

Customer Is Responsible For Installation to Meet All National And Local Electrical Codes.
 NOTE: USE ONLY HUBS OR FITTINGS THAT COMPLY WITH UL514B FOR TYPE 3R ENCLOSURES

TCI, LLC CLAIMS PROPRIETARY RIGHTS IN THE MATERIAL HEREIN DISCLOSED. IT IS SUPPLIED WITHOUT PREJUDICE TO ANY PATENT RIGHTS OF TCI AND MAY NOT BE REPRODUCED OR USED TO MANUFACTURE ANYTHING SHOWN THEREIN WITHOUT WRITTEN PERMISSION FROM TCI.	TOLERANCES (EXCEPT AS NOTED) DECIMAL .XX ± .25 .XXX ± .10			W132 N10611 Grant Drive Germantown, WI 53022		
	FRACTIONAL ± 1/16				V1K, TYPE 3R 2 Amps to 12 Amps	
	C 4030, V1K Drawing Update	6/23/17	DSW	DRN BY: DSW SCALE: TO FIT		DATE: 4/26/17 APRVD:
	NO REVISION	DATE	BY	ANGULAR ± 1°	1	1