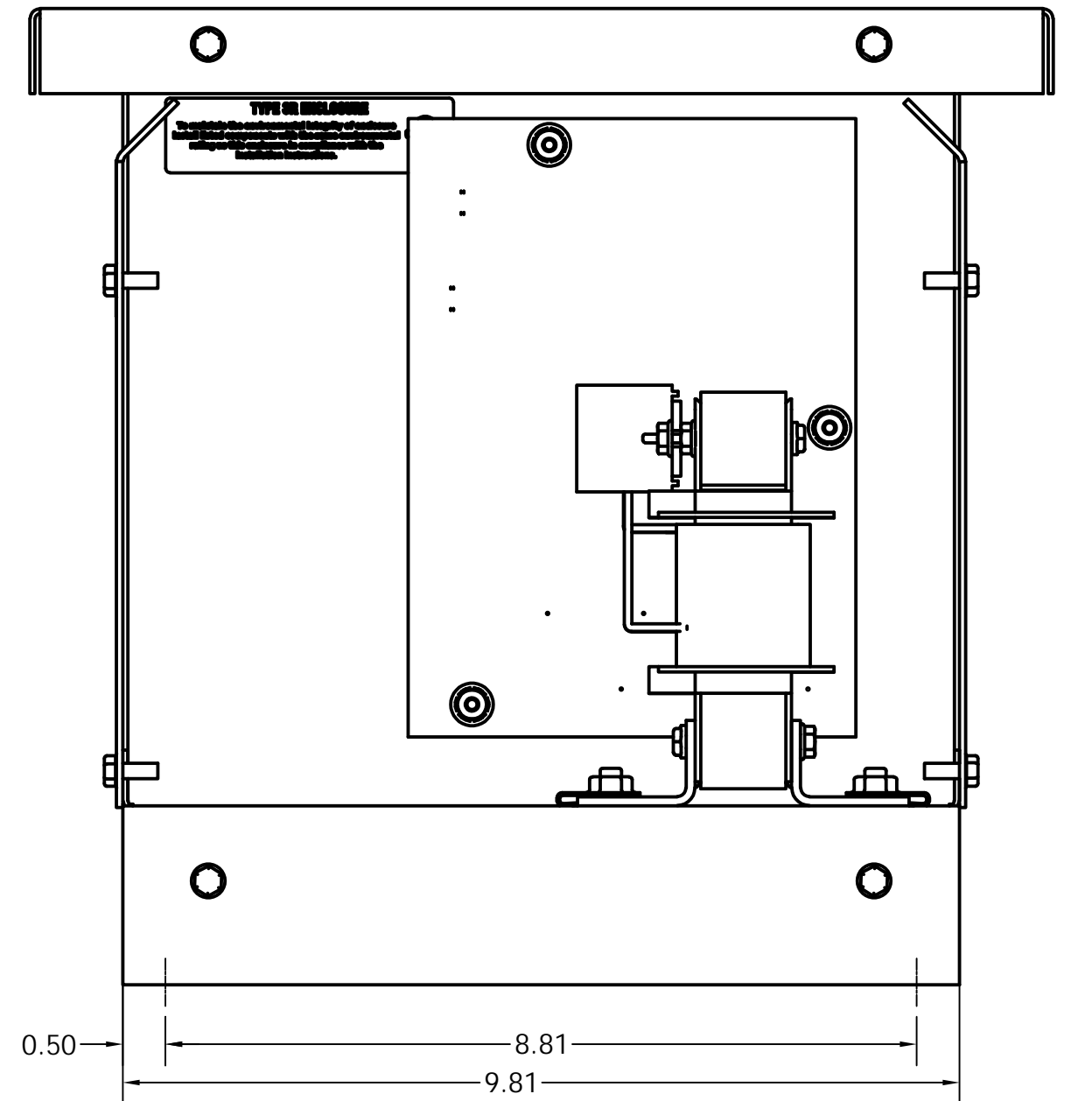
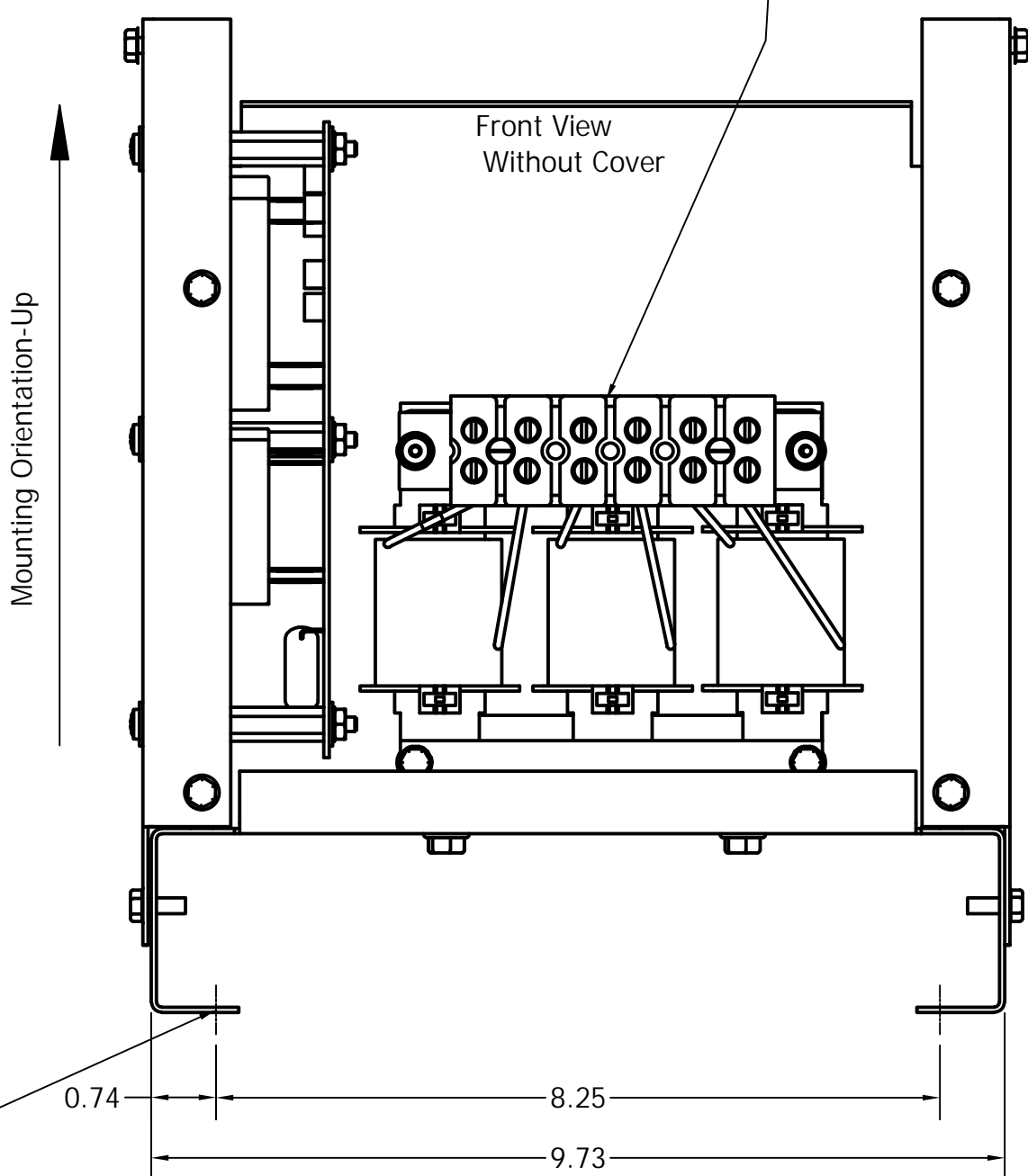
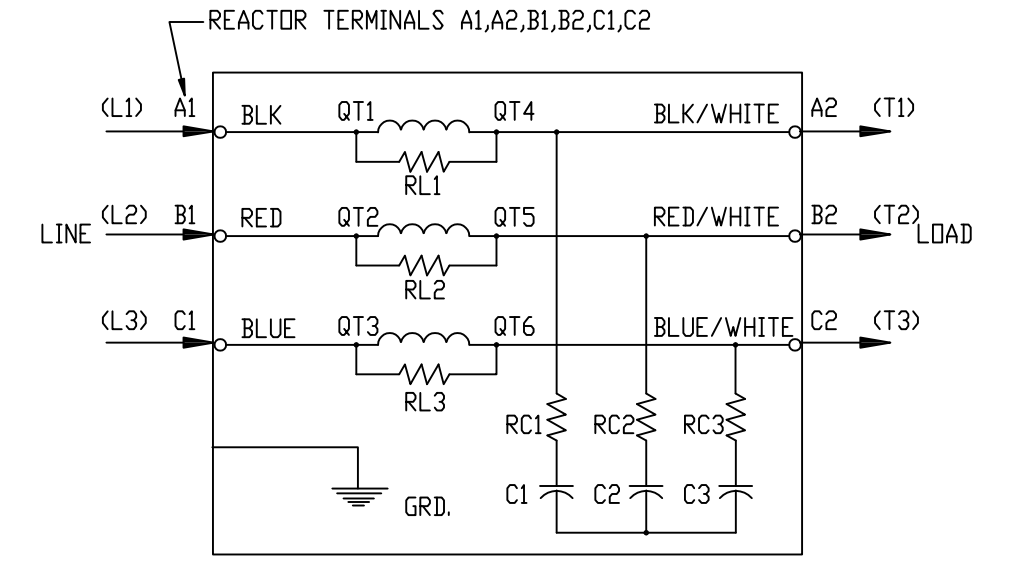
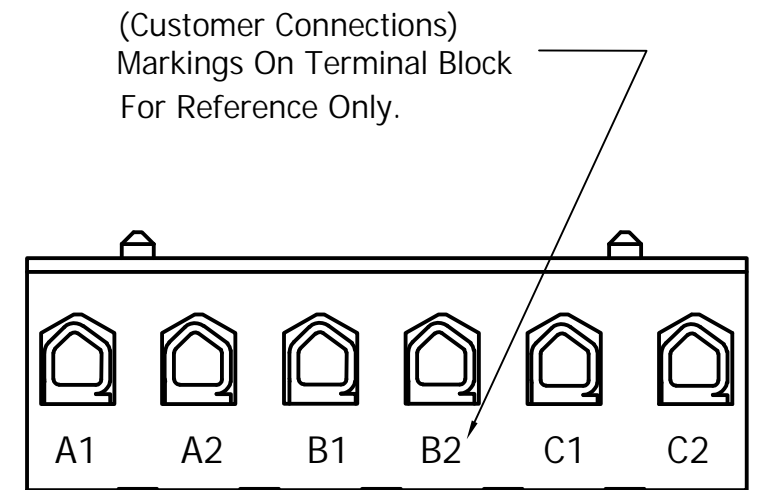
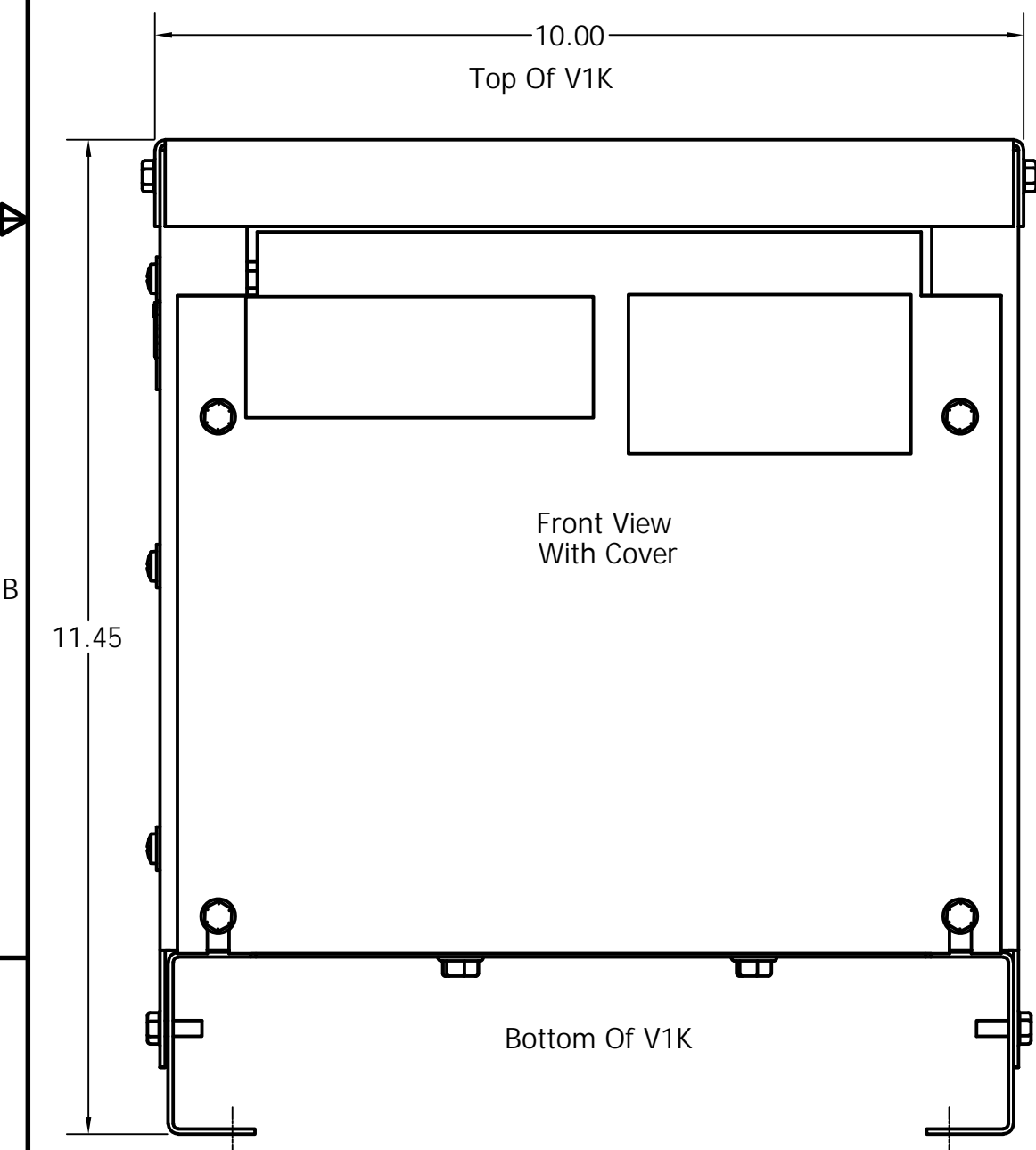
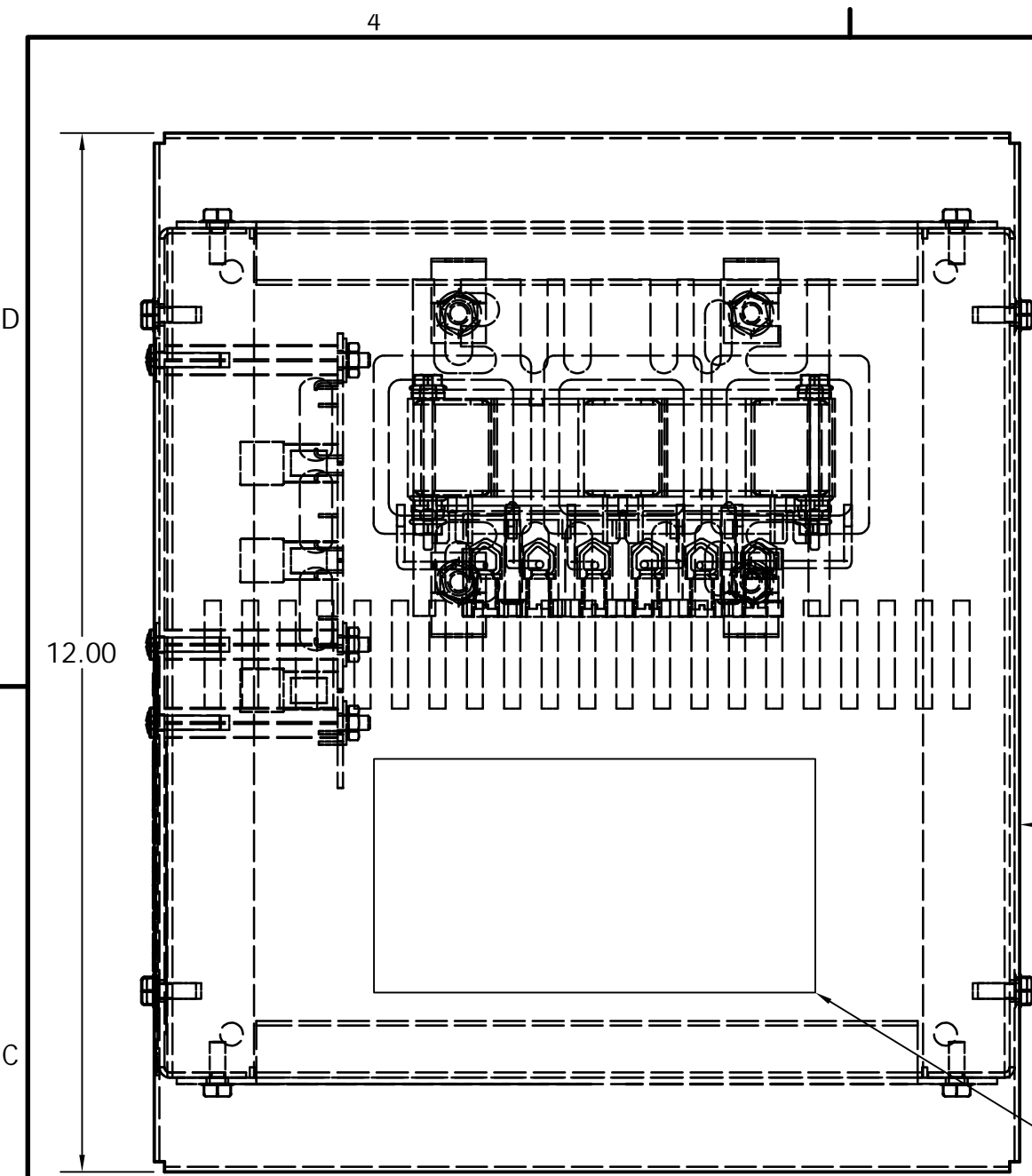


See V1K Installation Guide For Terminal Wire Size And Torque Information.
 Note: Maintain Clearance of 3 Inches On All Sides To Other Equipment.

V1K Part Number	Rated Voltage	Amps	Phase	Weight (LBS)
V1K16A03	600	16	3	29
V1K16A03EX	600	16	3	29
V1K18A03	600	18	3	29
V1K18A03EX	600	18	3	29
V1K21A03	600	21	3	29
V1K21A03EX	600	21	3	29
V1K27A03	600	27	3	29
V1K27A03EX	600	27	3	29



Material(s) Shall be RoHS Compliant

Customer Is Responsible For Installation to Meet All National And Local Electrical Codes.
 NOTE: USE ONLY HUBS OR FITTINGS THAT COMPLY WITH UL514B FOR TYPE 3R ENCLOSURES

TCL, LLC CLAIMS PROPRIETARY RIGHTS IN THE MATERIAL HEREIN DISCLOSED. IT IS SUPPLIED WITHOUT PREJUDICE TO ANY PATENT RIGHTS OF TCL AND MAY NOT BE REPRODUCED OR USED TO MANUFACTURE ANYTHING SHOWN THEREIN WITHOUT WRITTEN PERMISSION FROM TCL.				TOLERANCES (EXCEPT AS NOTED) DECIMAL .XX ± .25 .XXX ± .10 FRACTIONAL ± 1/16 ANGULAR ± 1°		W132 N10611 Grant Drive Germantown, WI 53022 V1K, TYPE 3R 16 Amps to 27 Amps DRN BY: DSW DATE: 4/26/17 SCALE: TO FIT APRVD: [Signature] SIZE: 104221DG SHT 1 OF 1	
C	4030, V1K DRAWING UPDATE	6/23/17	DSW				
NO	REVISION	DATE	BY				