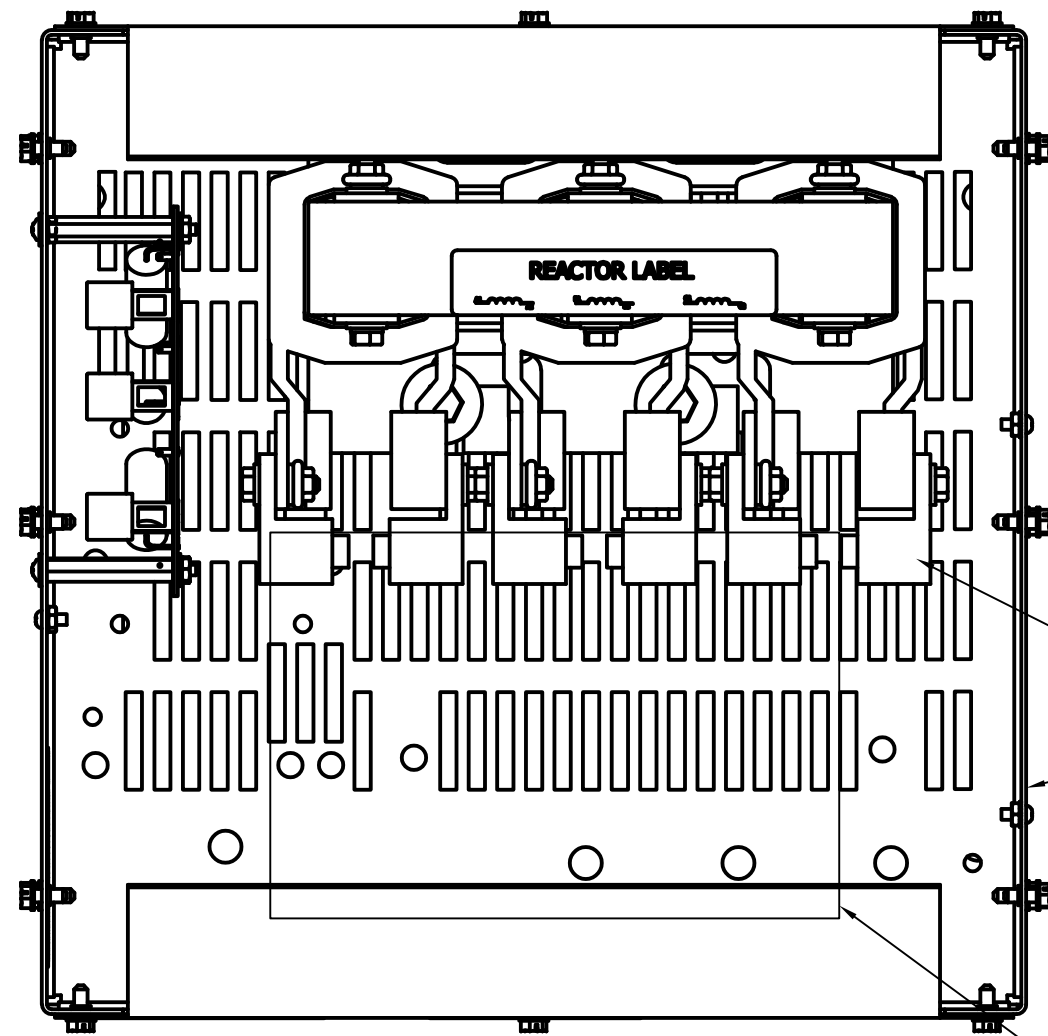


See V1K Installation Guide For Terminal Wire Size And Torque Information.

Note: Maintain Clearance of 3 Inches On All Sides To Other Equipment.

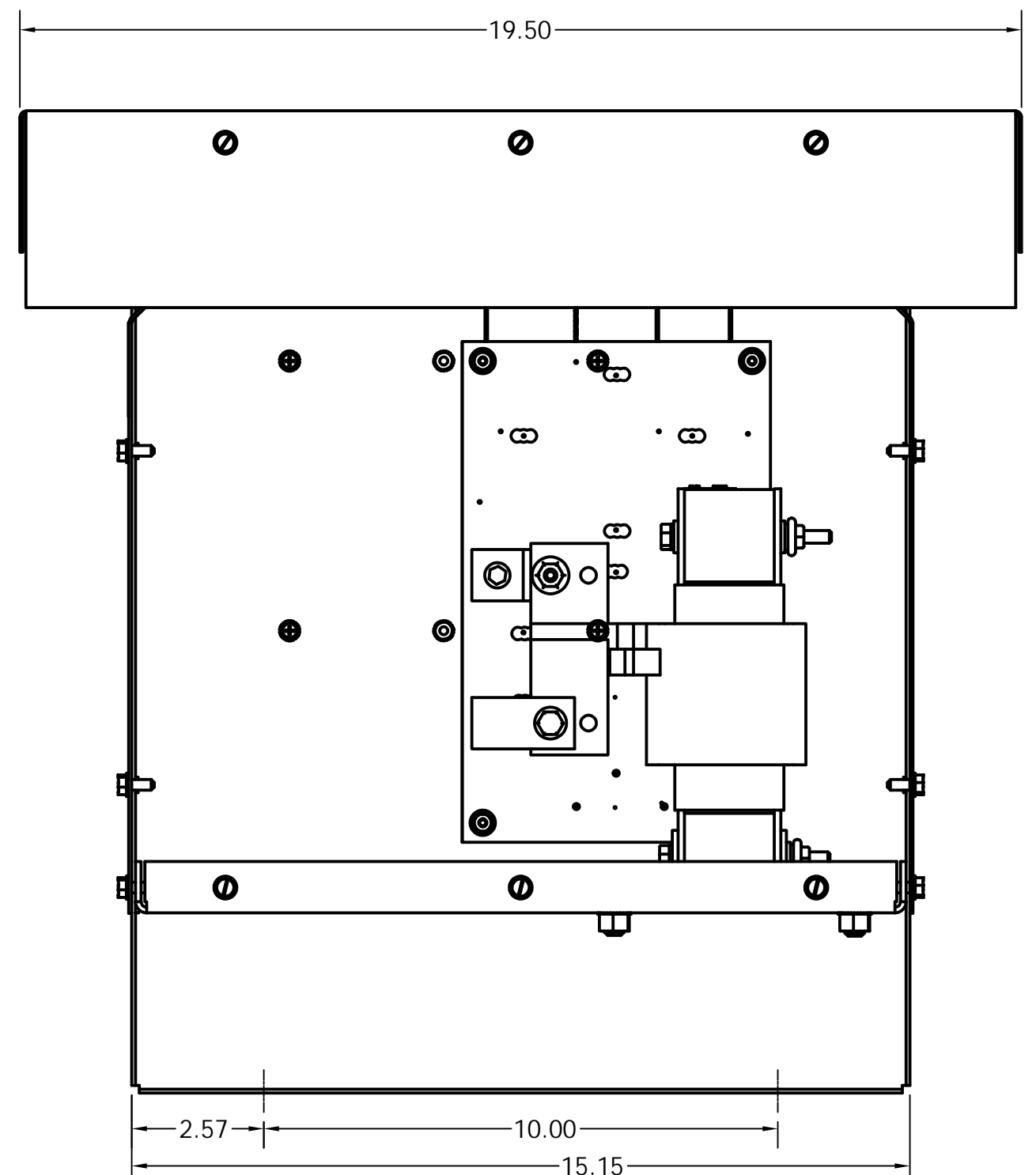
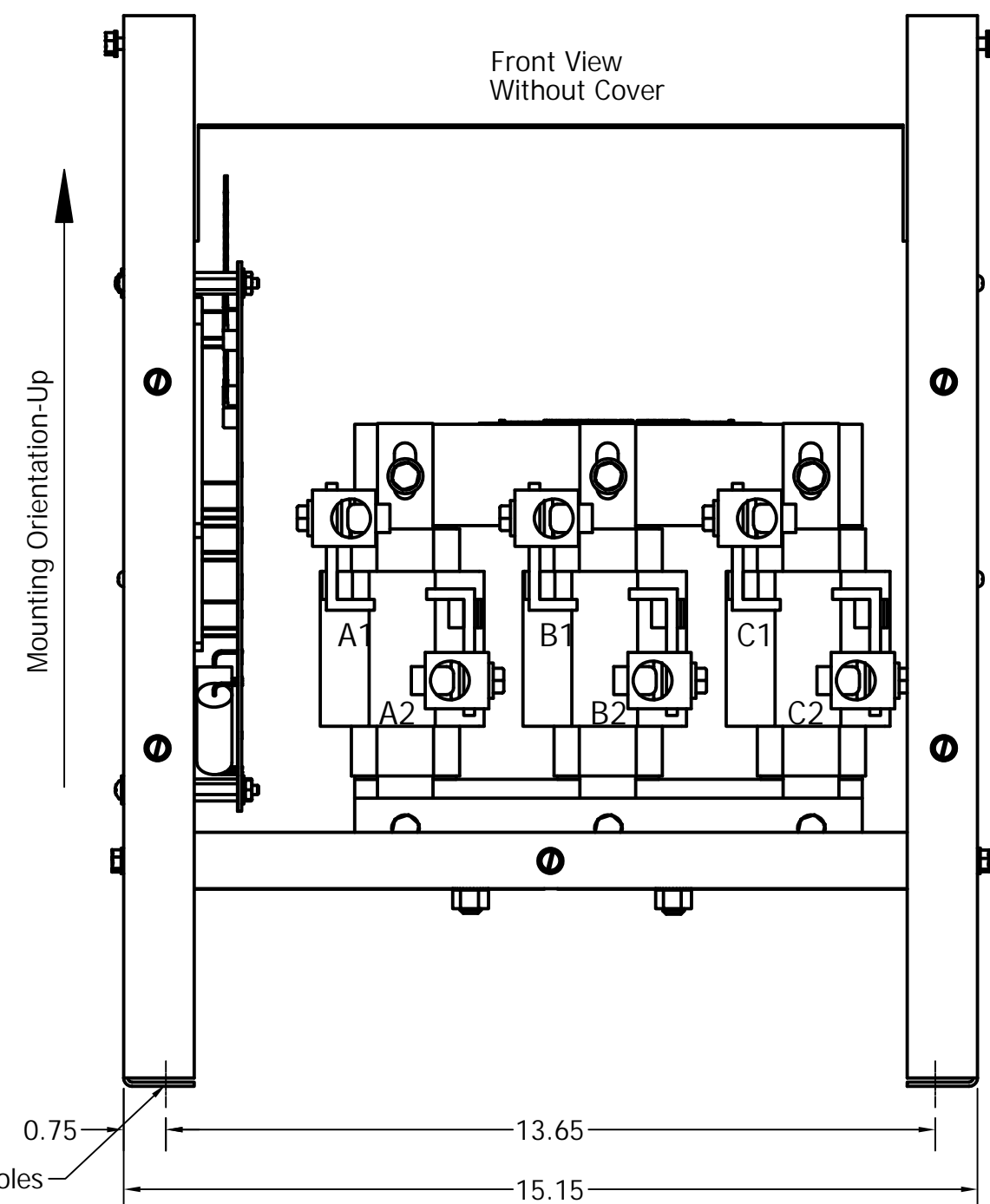
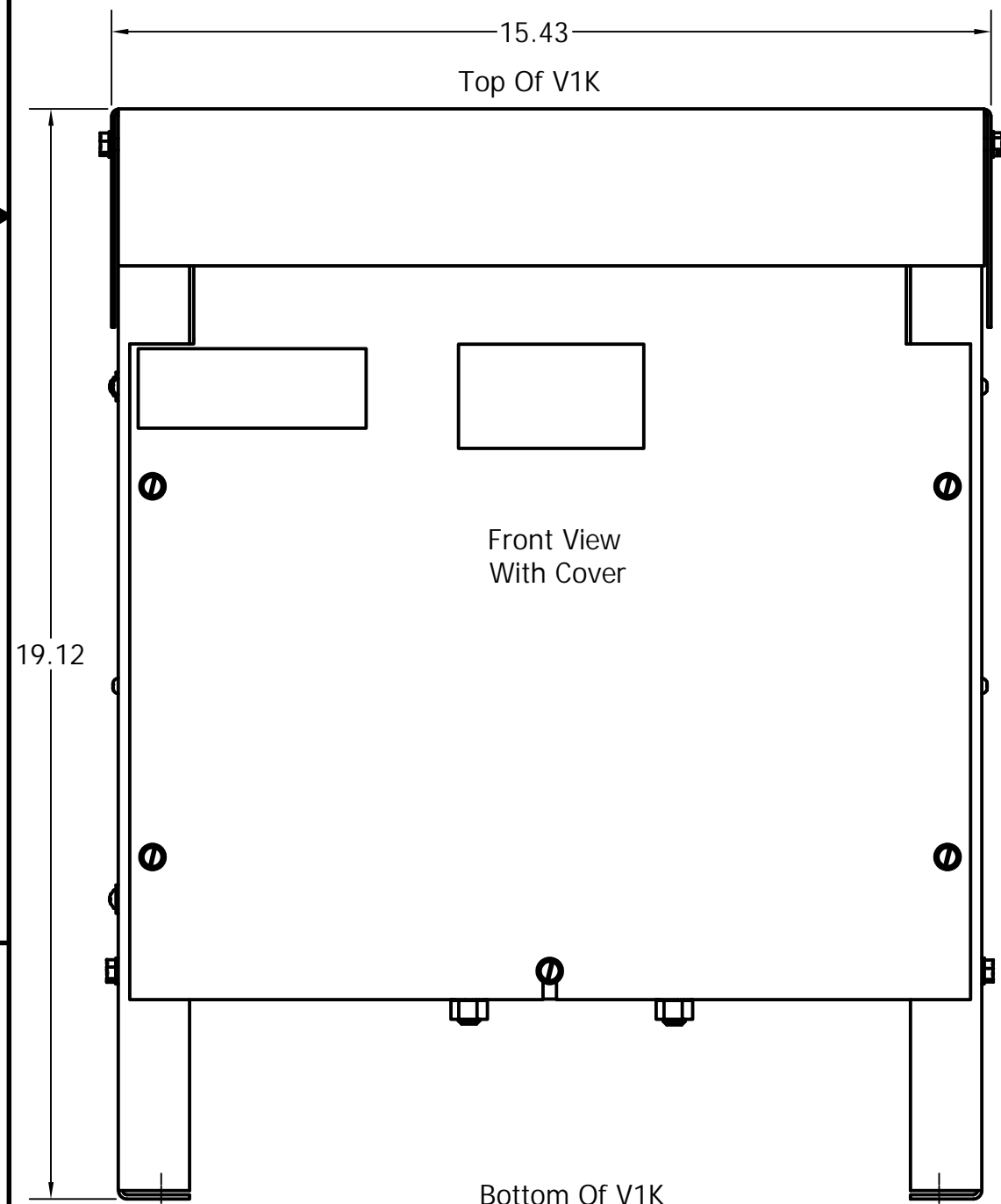
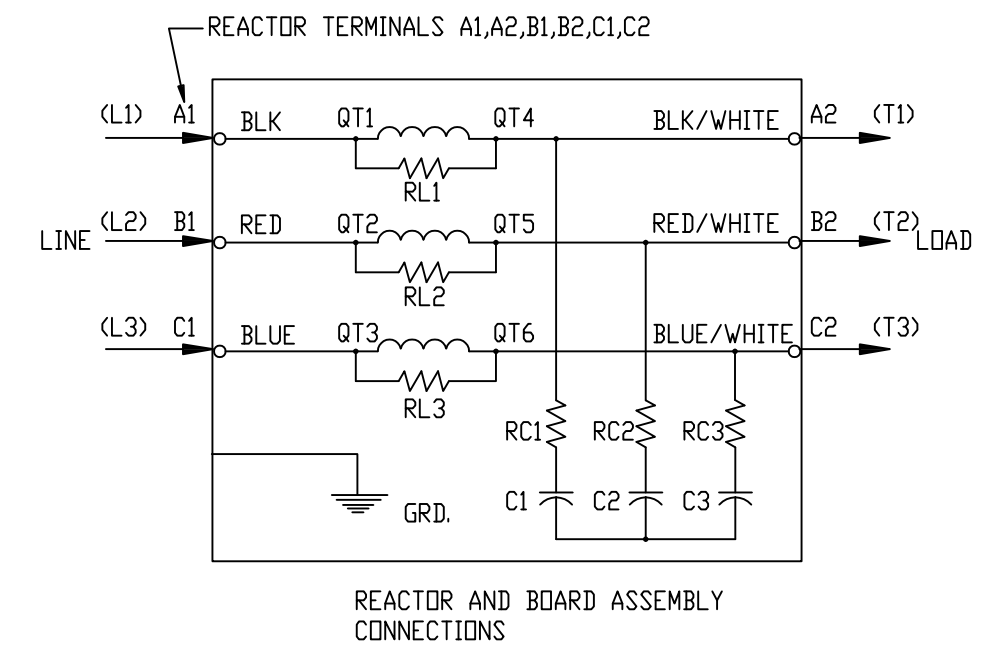
V1K Part Number	Rated Voltage	Amps	Phase	Weight (LBS)
V1K160A03	600	160	3	99
V1K160A03EX	600	160	3	99



(Customer Connections) Markings On Coil For Reference Only.

Suggested Customer Entry Side Of Enclosure.

Suggested Customer Entry Bottom Of Enclosure.



Material(s) Shall be RoHS Compliant

Customer Is Responsible For Installation to Meet All National And Local Electrical Codes.
NOTE: USE ONLY HUBS OR FITTINGS THAT COMPLY WITH UL514B FOR TYPE 3R ENCLOSURES

TCL, LLC CLAIMS PROPRIETARY RIGHTS IN THE MATERIAL HEREIN DISCLOSED. IT IS SUPPLIED WITHOUT PREJUDICE TO ANY PATENT RIGHTS OF TCL AND MAY NOT BE REPRODUCED OR USED TO MANUFACTURE ANYTHING SHOWN THEREIN WITHOUT WRITTEN PERMISSION FROM TCL.

NO	REVISION	DATE	BY	SCALE
D	4030, V1K DRAWING UPDATE	6/27/17	DSW	TO FIT
NO	REVISION	DATE	BY	SCALE

TOLERANCES (EXCEPT AS NOTED)
DECIMAL
.XX ± .25
.XXX ± .10
FRACTIONAL
± 1/16
ANGULAR
± 1°

TCL® W132 N10611 Grant Drive
Germantown, WI 53022

V1K, TYPE 3R
160 Amps

DRN BY: DSW DATE: 6/26/17
APRVD: [Signature] SIZE: 104232DG
SCALE: TO FIT SHT 1 OF 1