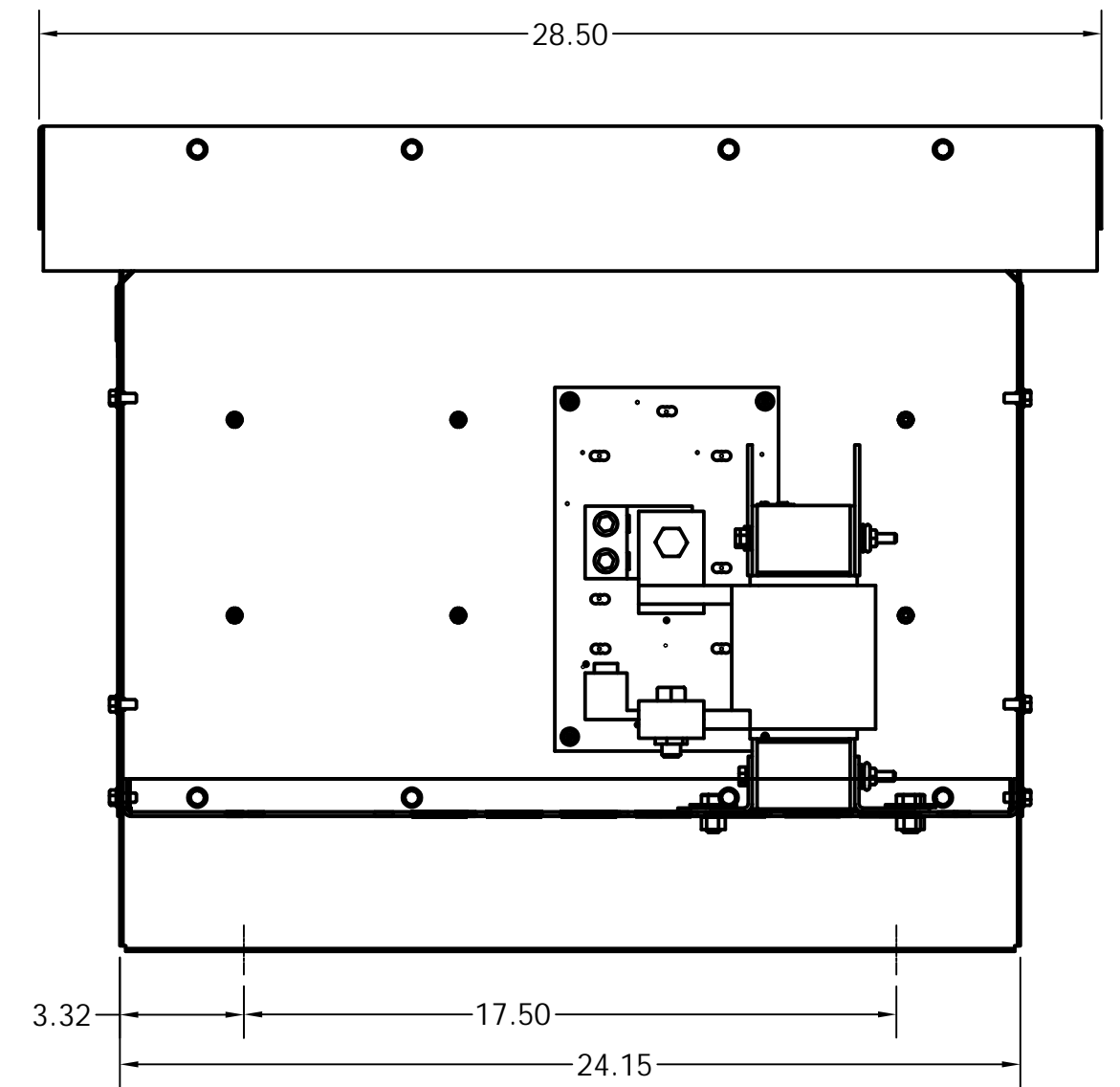
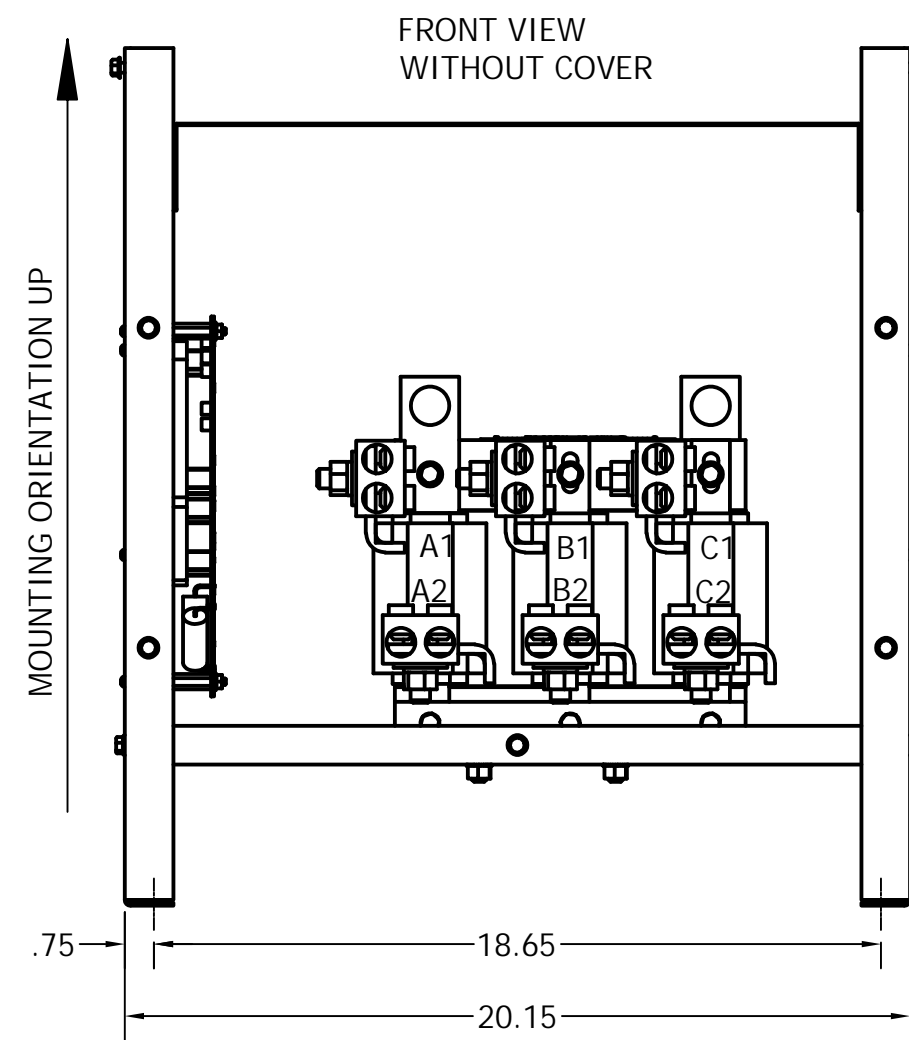
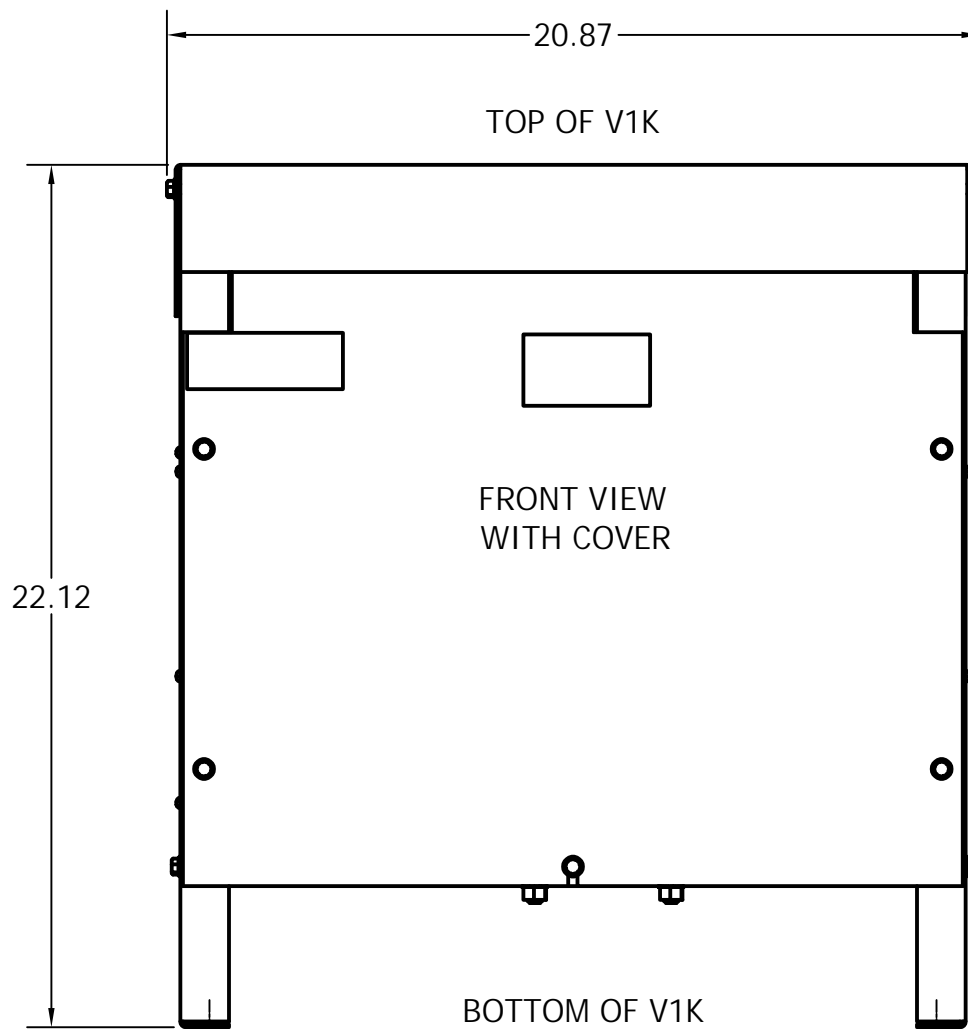
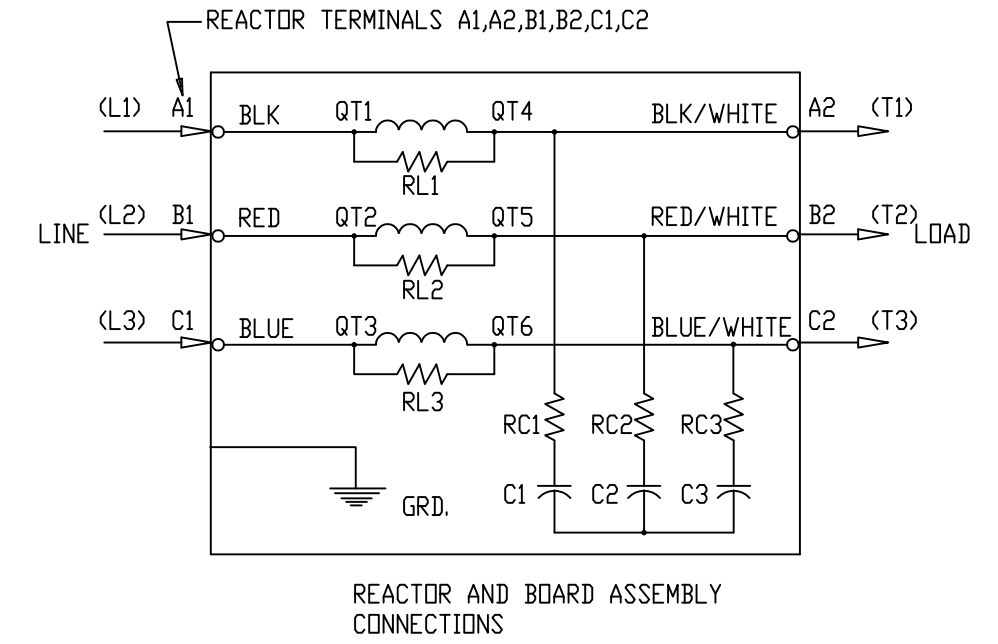
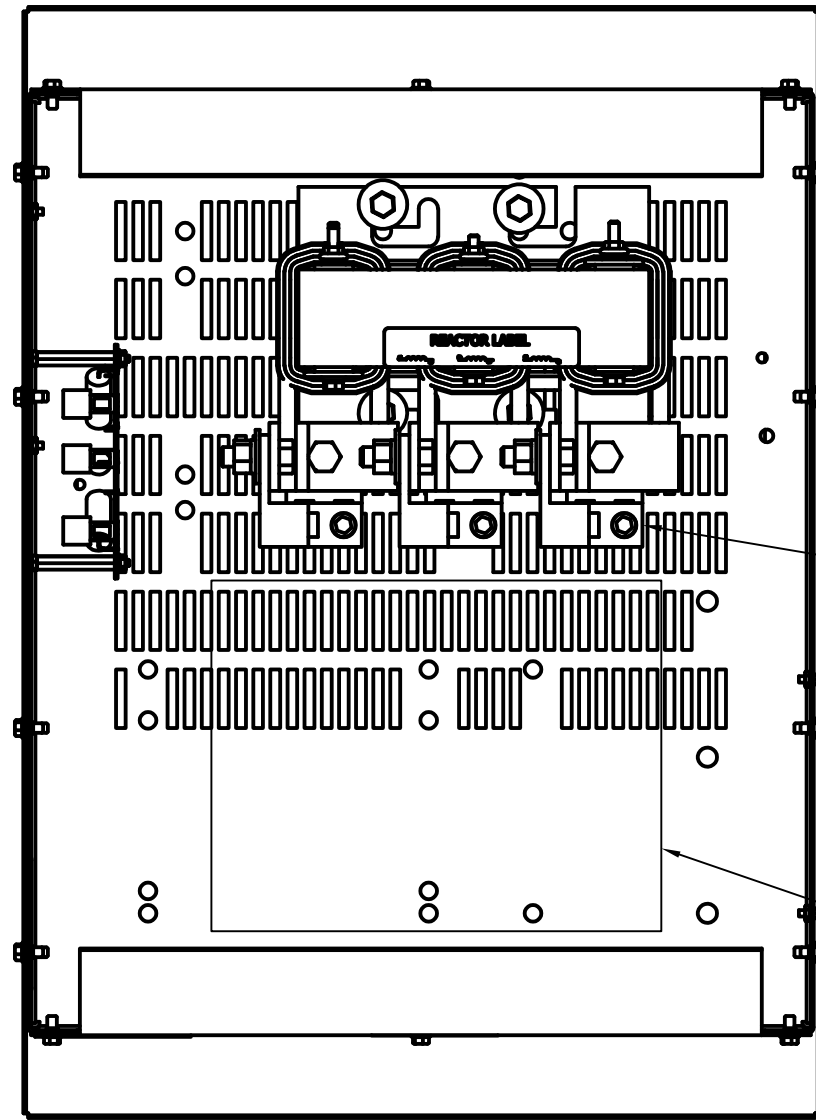


SEE V1K INSTALLATION GUIDE FOR TERMINAL WIRE SIZE AND TORQUE
 NOTE: MAINTAIN CLEARANCE OF 3 INCHES ON ALL SIDES TO OTHER EQUIPMENT

V1K Part Number	Rated Voltage	Amps	Phase	Weight (LBS)
V1K305A03	600	305	3	109
V1K305A03EX	600	305	3	109
V1K362A03	600	362	3	109
V1K362A03EX	600	362	3	109



.50 DIA MOUNTING HOLES
 4 PLACES

MATERIAL(S) SHALL BE RoHS COMPLIANT

NOTE: USE ONLY HUBS OR FITTINGS THAT COMPLY WITH UL514B FOR TYPE 3R ENCLOSURES

CUSTOMER IS RESPONSIBLE FOR INSTALLATION TO MEET ALL NATIONAL AND LOCAL ELECTRICAL CODES

TCL, LLC CLAIMS PROPRIETARY RIGHTS IN THE MATERIAL HEREIN DISCLOSED. IT IS SUPPLIED WITHOUT PREJUDICE TO ANY PATENT RIGHTS OF TCL AND MAY NOT BE REPRODUCED OR USED TO MANUFACTURE ANYTHING SHOWN THEREIN WITHOUT WRITTEN PERMISSION FROM TCL.

NO	REVISION	DATE	BY	TOLERANCES (EXCEPT AS NOTED)
E	4030 Drawing update	7/7/17	JSM	DECIMAL .XX ± .25 .XXX ± .10
NO				FRACTIONAL ± 1/16 ANGULAR ± 1°

TCL® W132 N10611 Grant Drive
 Germantown, WI 53022

V1K, TYPE 3R
 305 Amps, 362 Amps

DRN. BY: JSM DATE: 6/29/17
 SCALE: NONE APRVD: SIZE: C
 104235DG
 SHT. 1 OF 1