

480V.
60 HZ.
LINE

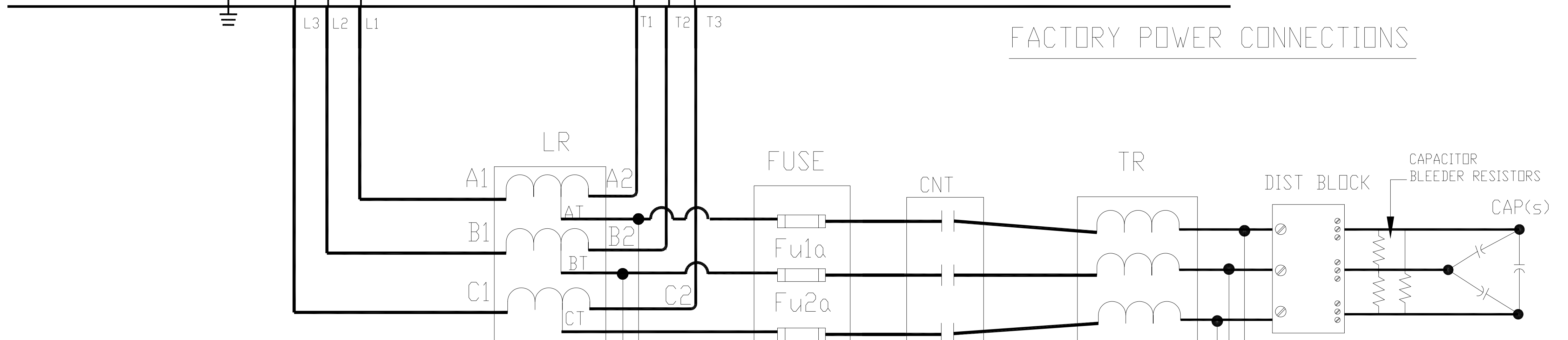
FUSED DISCONNECT
OR CIRCUIT BREAKER
(CUSTOMER SUPPLIED)

CUSTOMER CONNECTIONS

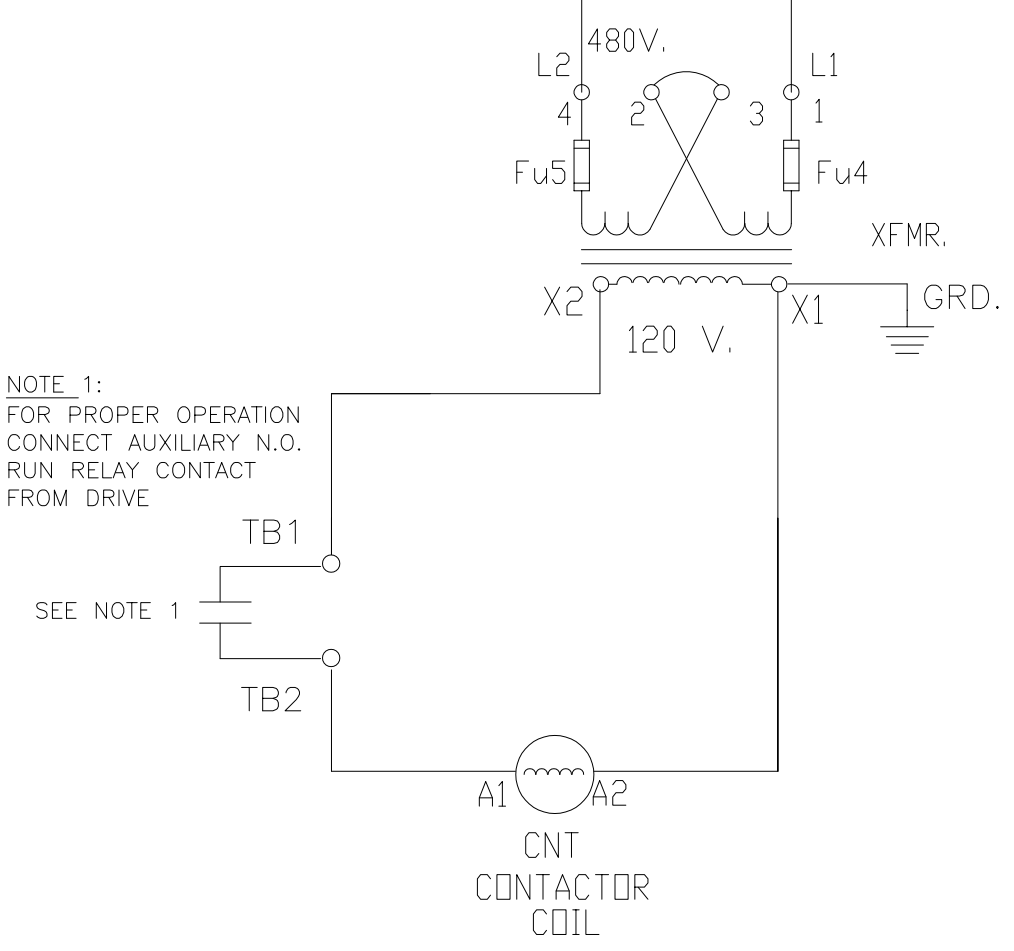
T1
T2 LOAD
T3

CUSTOMER CONNECTIONS
75 HP AND BELOW : USE MINIMUM 60°C COPPER WIRE
ABOVE 75 HP : USE MINIMUM 75°C COPPER WIRE

FACTORY POWER CONNECTIONS



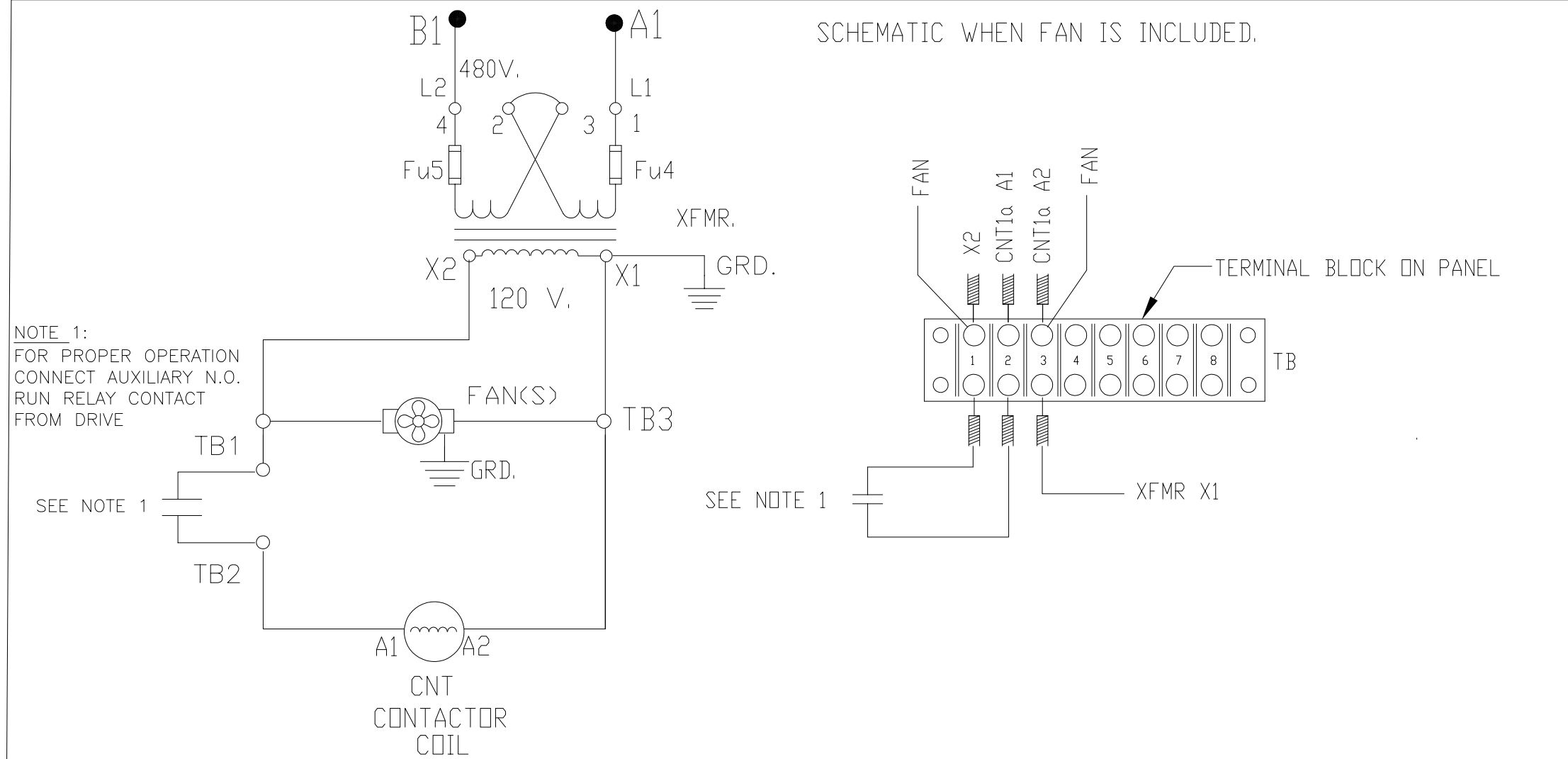
CONTROL CONNECTIONS



NOTE 1:
FOR PROPER OPERATION
CONNECT AUXILIARY N.O.
RUN RELAY CONTACT
FROM DRIVE

SEE NOTE 1

A1 A2
CNT
CONTACTOR
COIL



NOTE 1:
FOR PROPER OPERATION
CONNECT AUXILIARY N.O.
RUN RELAY CONTACT
FROM DRIVE

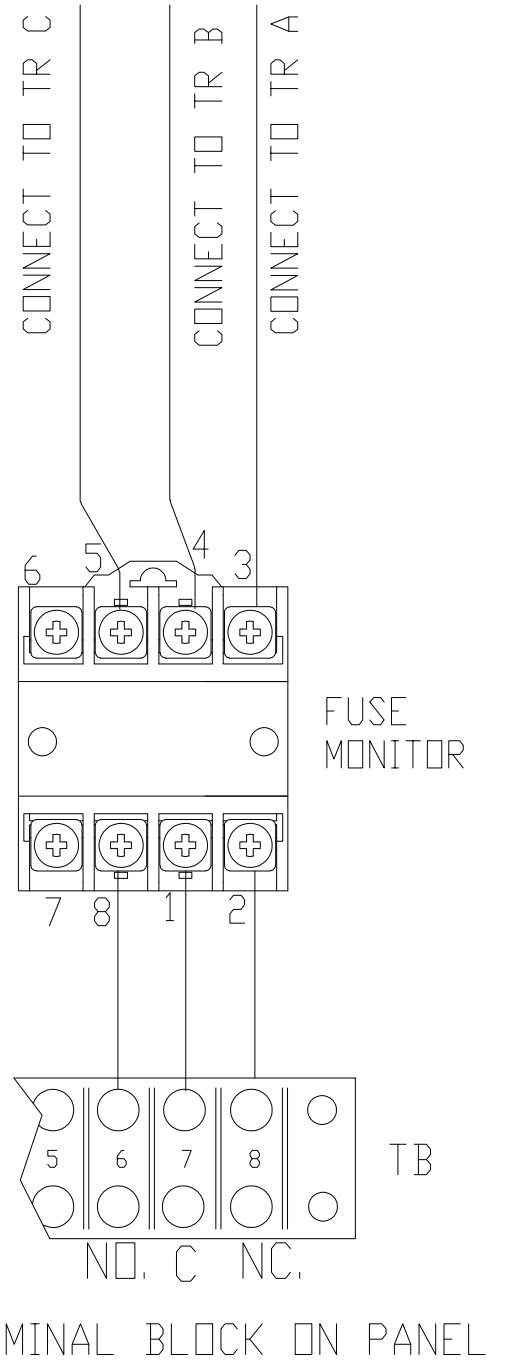
SEE NOTE 1

A1 A2
CNT
CONTACTOR
COIL

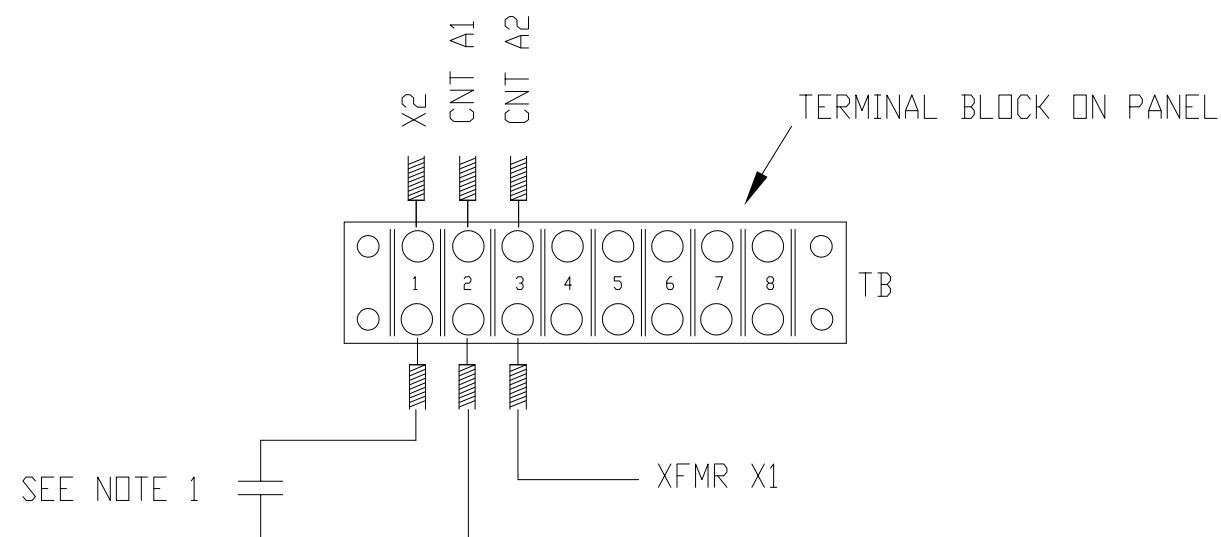
SCHEMATIC WHEN FAN IS INCLUDED.

CONNECTIONS FOR
FUSE MONITOR
OPTION

SCHEMATIC FOR FUSE MONITOR, OPTION



TERMINAL BLOCK ON PANEL



SEE NOTE 1

TCL, LLC CLAIMS PROPRIETARY RIGHTS IN THE MATERIAL HEREIN DISCLOSED. IT IS SUPPLIED WITHOUT PREJUDICE TO ANY PATENT RIGHTS OF TCL AND MAY NOT BE REPRODUCED OR USED TO MANUFACTURE ANYTHING SHOWN THEREIN WITHOUT WRITTEN PERMISSION FROM TCL.				TOLERANCES (EXCEPT AS NOTED) DECIMAL	W132 N10611 Grant Drive Germentown, WI 53022 Harmonicguard Passive 480V Schematic, Contactor Version 250HP to 400HP Open and Enclosed TRN. BY DSW DATE 9/12/2013 DWG. NO. 28697-1 SCALE NONE SIZE C SHT.1 OF1
				.XX ± N/A	
				.XXX ± N/A	
				FRACTIONAL ± N/A	
	F And Enclosed to Schematic	8/14/18	DSW	ANGULAR ± N/A	
NO	REVISION	DATE	BY		