

480V.
60 HZ.
LINE

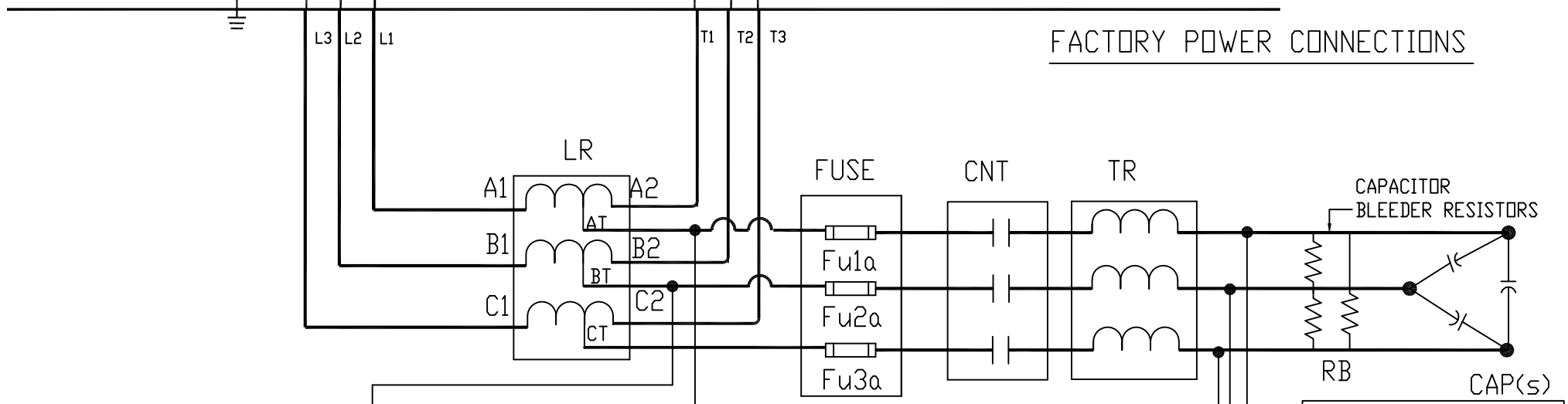
FUSED DISCONNECT
OR CIRCUIT BREAKER
(CUSTOMER SUPPLIED)

CUSTOMER CONNECTIONS

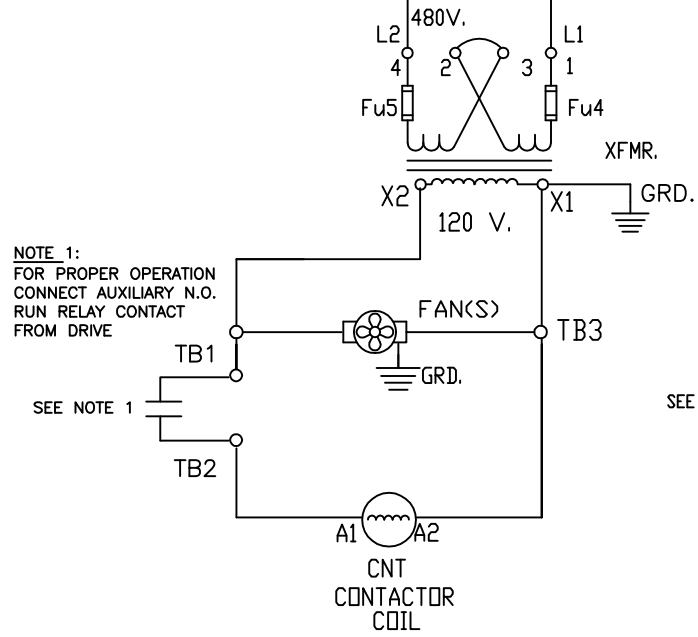
CUSTOMER CONNECTIONS

75 HP AND BELOW : USE MINIMUM 60°C COPPER WIRE
ABOVE 75 HP : USE MINIMUM 75°C COPPER WIRE

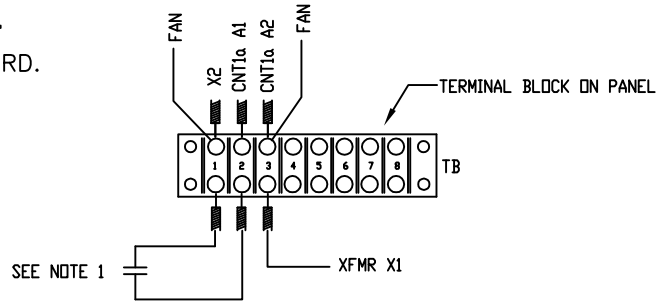
FACTORY POWER CONNECTIONS



CONTROL CONNECTIONS

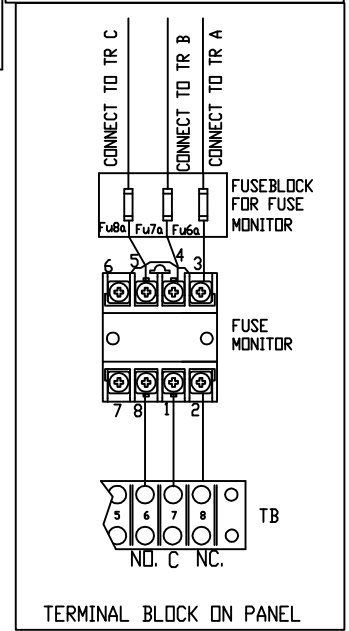


NOTE 1:
FOR PROPER OPERATION
CONNECT AUXILIARY N.O.
RUN RELAY CONTACT
FROM DRIVE



CONNECTIONS FOR
FUSE MONITOR
OPTION

SCHEMATIC FOR FUSE MONITOR, OPTION



TCL, LLC CLAIMS PROPRIETARY RIGHTS IN THE MATERIAL HEREIN DISCLOSED. IT IS SUPPLIED WITHOUT PREDJUDICE TO ANY PATENT RIGHTS OF TCI AND MAY NOT BE REPRODUCED OR USED TO MANUFACTURE ANYTHING SHOWN THEREIN WITHOUT WRITTEN PERMISSION FROM TCL.				TOLERANCES EXCEPT AS NOTED: DECIMAL .XX ± NA .XXX ± NA FRACTIONAL ± NA	
D	L1/L2 cntl. conn moved to AT/BT	6/2/16	MJS	ANGULAR	± NA
C	3178 MONITOR TO CAP SIDE OF TR	9/4/14	DSW	SCALE	NONE
NO	REVISION	DATE	BY	SCALE	± NA

TCL W132 N10611 GRANT DRIVE
GERMANTOWN, WI 53022

HARMONICGUARD PASSIVE
480V SCHEMATIC
CONTACTOR VERSION WITH FAN.

DRN BY DSW DATE 11/11/13 DWG NO 28697-4
SCALE NONE SIZE C

SHT.1 OF 1