

480V.
60 HZ.
LINE

FUSED DISCONNECT
OR CIRCUIT BREAKER
(CUSTOMER SUPPLIED)

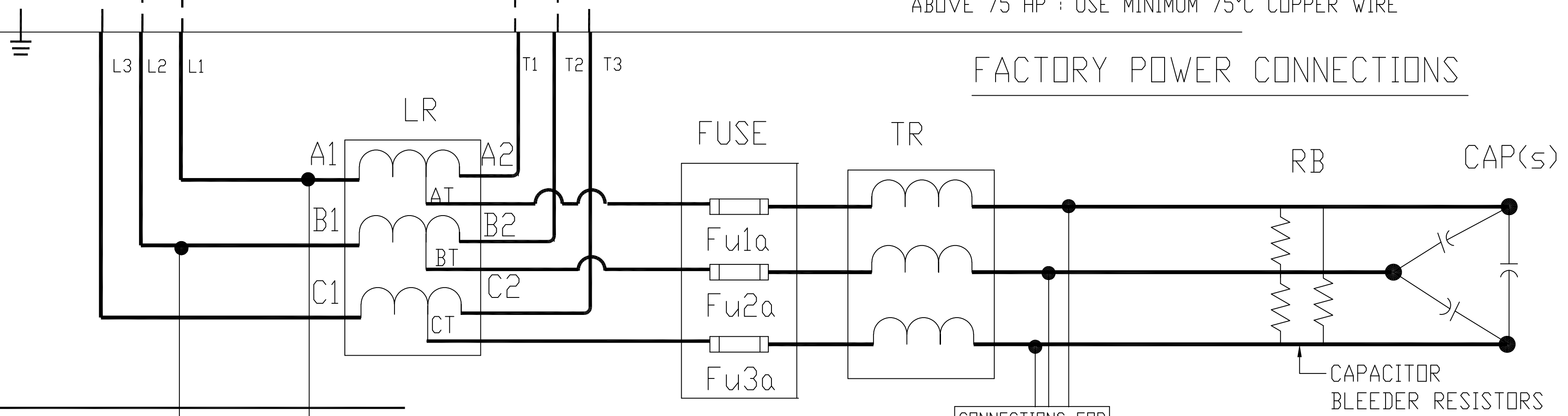
CUSTOMER CONNECTIONS

T1
T2 LOAD
T3

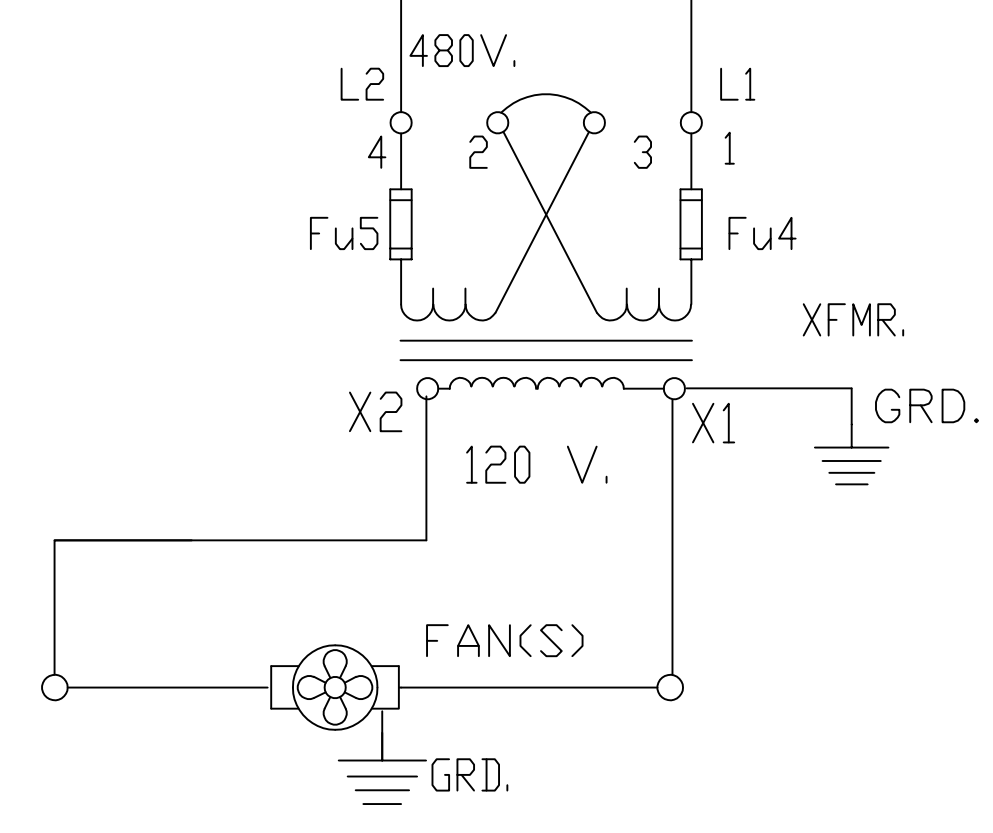
CUSTOMER CONNECTIONS

75 HP AND BELOW : USE MINIMUM 60°C COPPER WIRE
ABOVE 75 HP : USE MINIMUM 75°C COPPER WIRE

FACTORY POWER CONNECTIONS

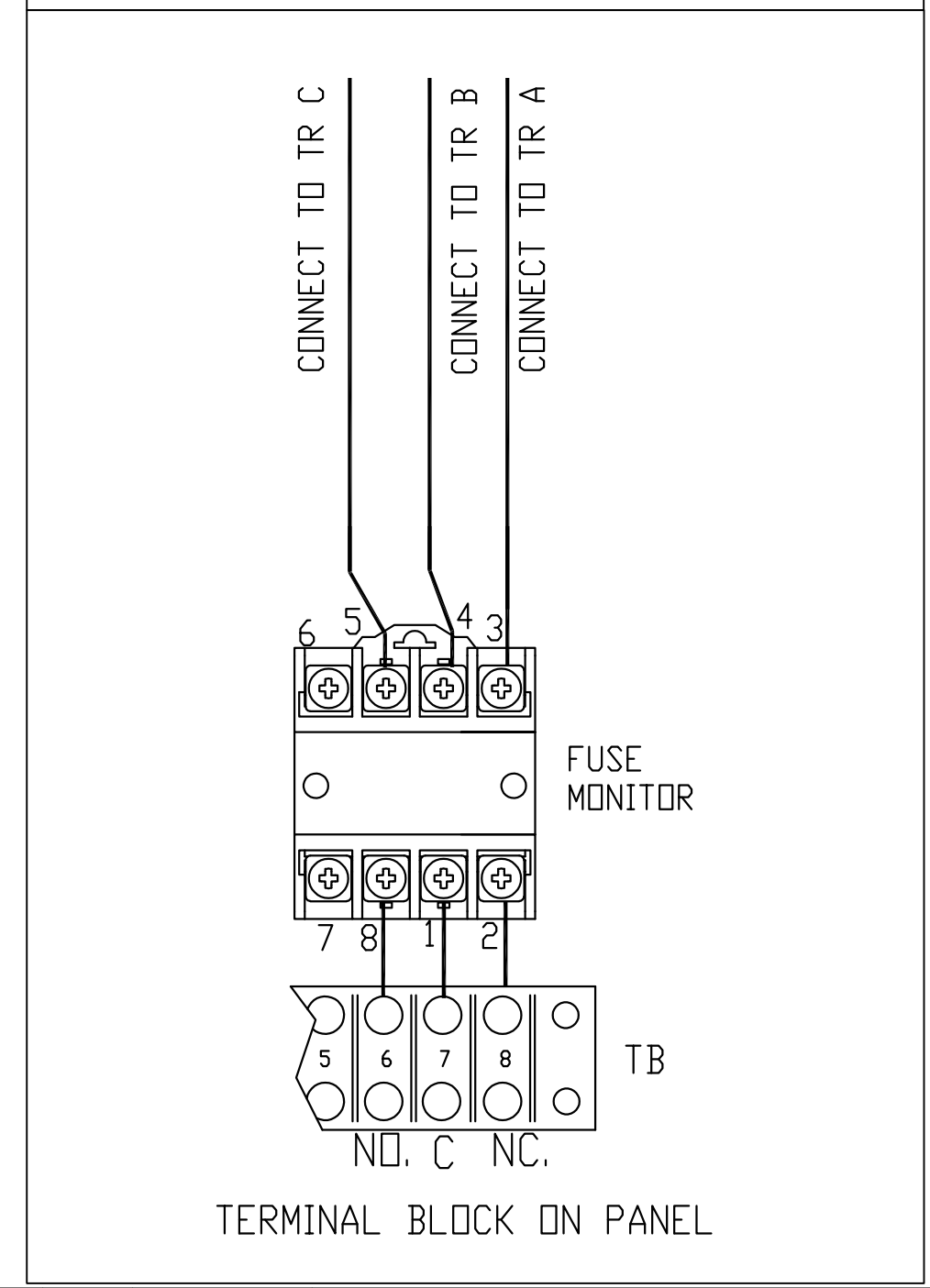


CONTROL CONNECTIONS



CONNECTIONS FOR
FUSE MONITOR
OPTION

SCHEMATIC FOR FUSE MONITOR, OPTION



TCI, LLC CLAIMS PROPRIETARY RIGHTS IN THE MATERIAL HEREIN DISCLOSED. IT IS SUPPLIED WITHOUT PREJUDICE TO ANY PATENT RIGHTS OF TCI AND MAY NOT BE REPRODUCED OR USED TO MANUFACTURE ANYTHING SHOWN THEREIN WITHOUT WRITTEN PERMISSION FROM TCI.					TOLERANCES (EXCEPT AS NOTED) DECIMAL	W132 N10611 GRANT DRIVE GERMANTOWN, WI 53022 HARMONICGUARD PASSIVE 480V SCHEMATIC STANDARD VERSION, WITH FAN	
	E	4894 Remove TB1 Connection	09/20/19	JRN	.XX ± NA		DRN. BY DSW
	D	update fuse monitor thru TB	6/5/17	MJS	.XXX ± NA		DATE 11/11/13
	C	3178 MONITOR TO CAP SIDE OF TR	9/4/14	DSW	FRACTIONAL ± NA		SCALE NONE
	NO	REVISION	DATE	BY	ANGULAR ± NA		SIZE C
						DWG. NO. 28697-4S SHT. 1 of 1	