

480V.
60 HZ.
LINE

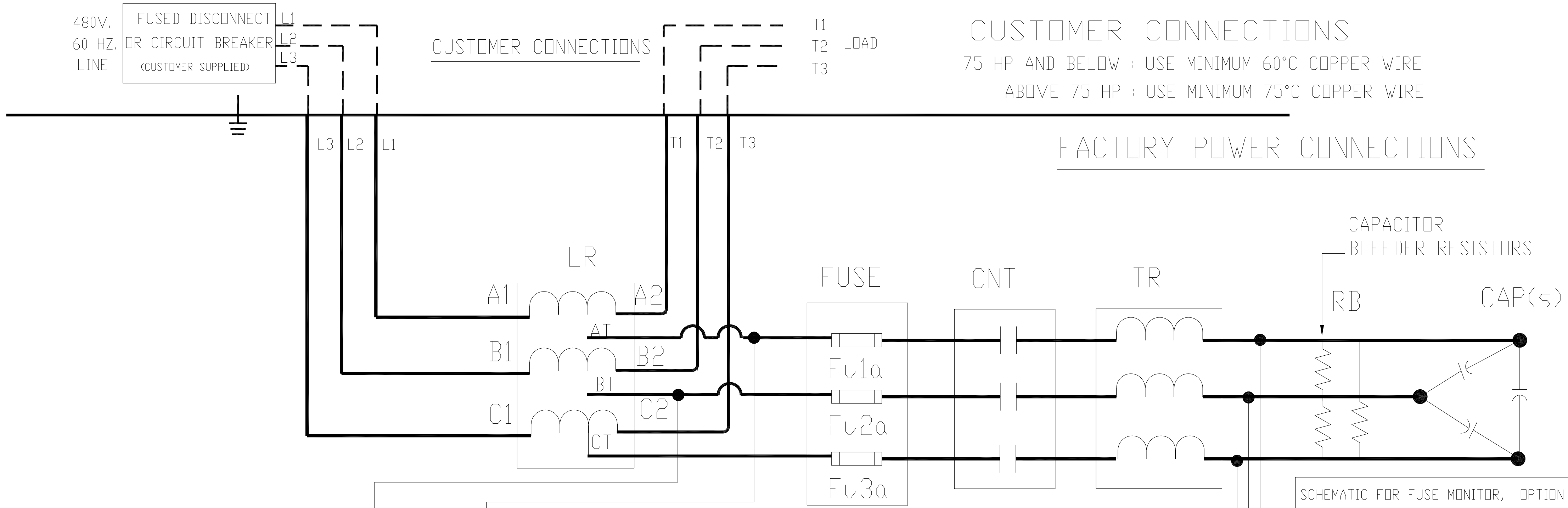
FUSED DISCONNECT
OR CIRCUIT BREAKER
(CUSTOMER SUPPLIED)

CUSTOMER CONNECTIONS

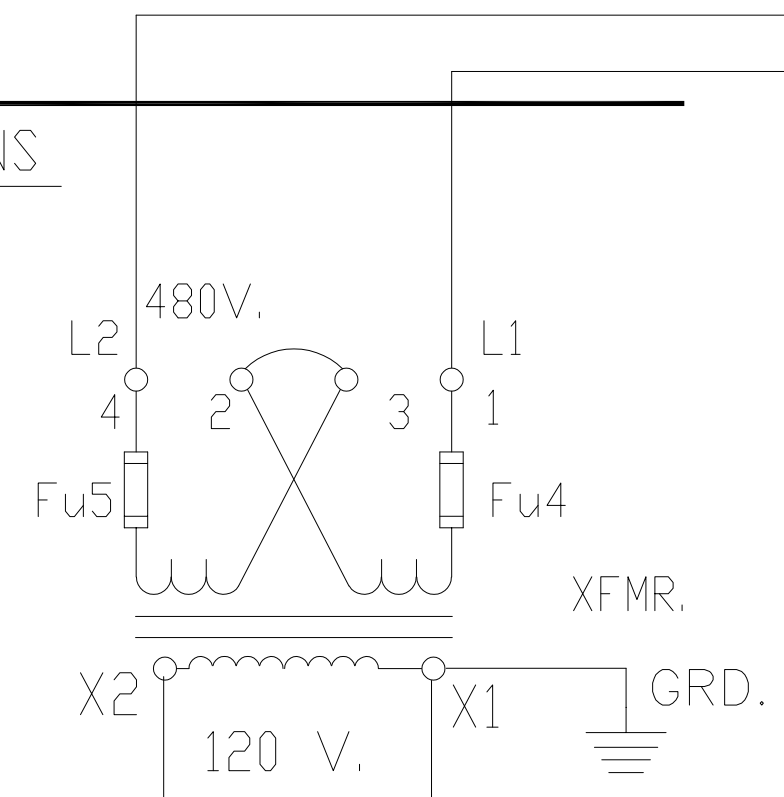
CUSTOMER CONNECTIONS

75 HP AND BELOW : USE MINIMUM 60°C COPPER WIRE
ABOVE 75 HP : USE MINIMUM 75°C COPPER WIRE

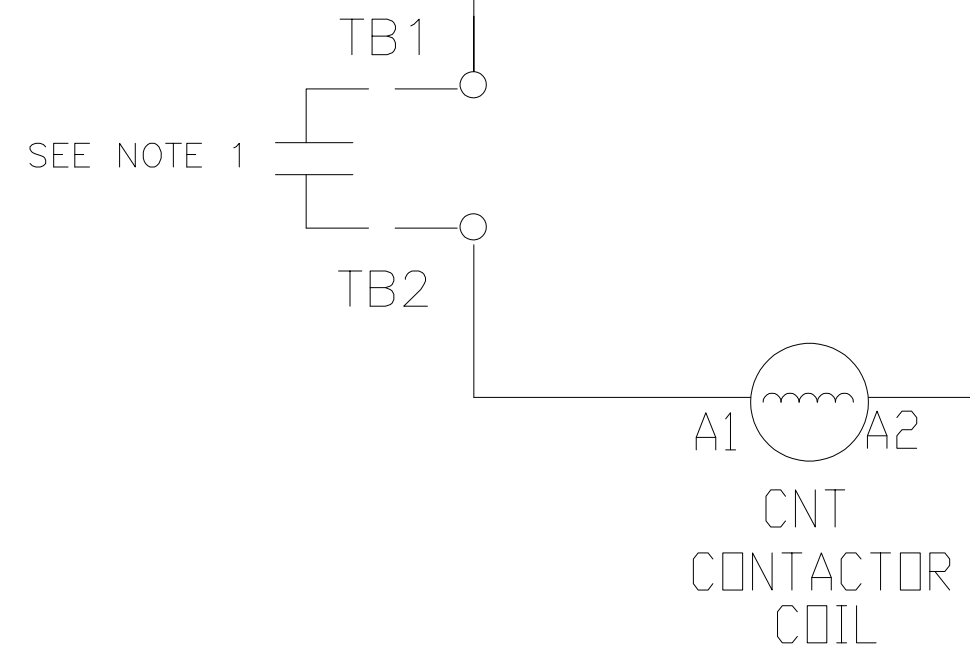
FACTORY POWER CONNECTIONS



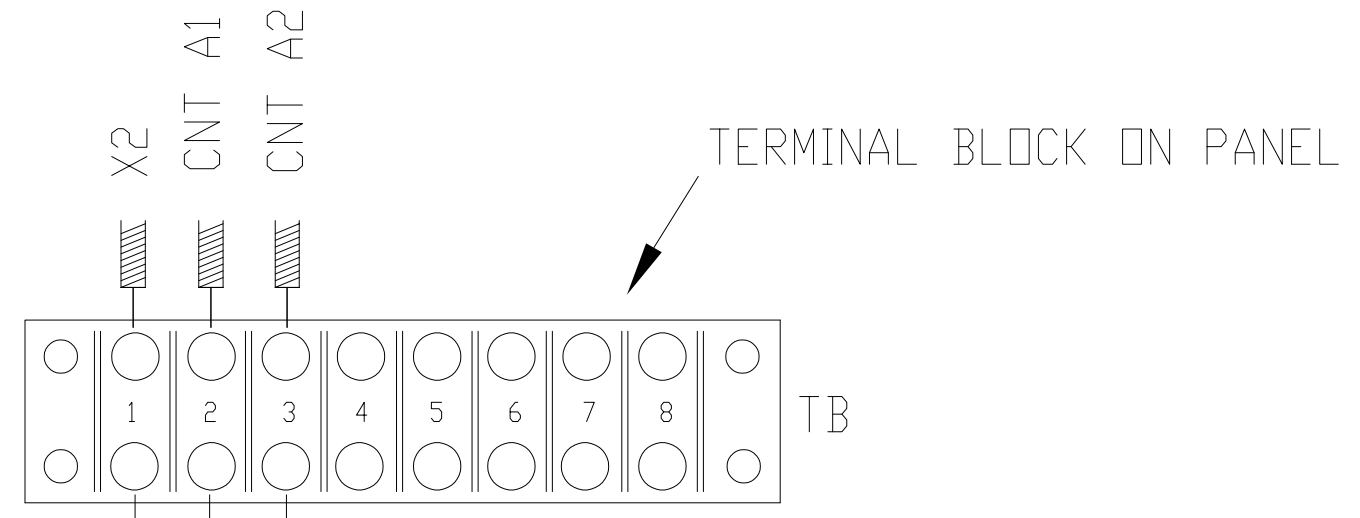
CONTROL CONNECTIONS



NOTE 1:
FOR PROPER OPERATION
CONNECT AUXILIARY N.O.
RUN RELAY CONTACT
FROM DRIVE



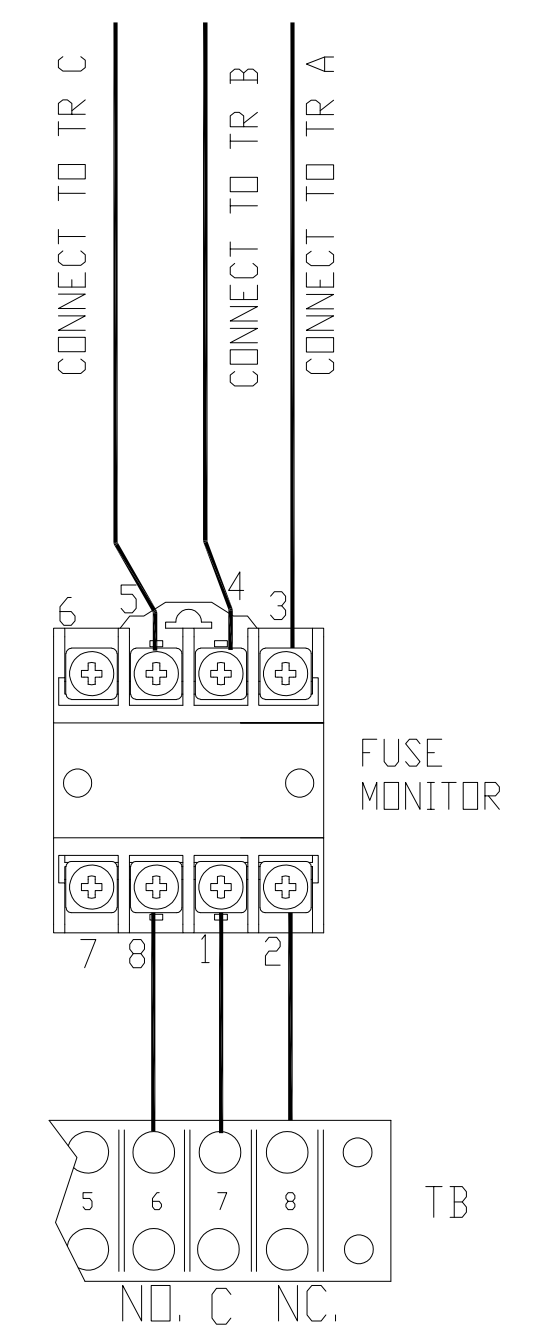
SEE NOTE 1



TERMINAL BLOCK ON PANEL

SCHEMATIC FOR FUSE MONITOR, OPTION

CONNECTIONS FOR
FUSE MONITOR
OPTION



TERMINAL BLOCK ON PANEL

TCL, LLC CLAIMS
PROPRIETARY RIGHTS IN
THE MATERIAL HEREIN
DISCLOSED. IT IS
SUPPLIED WITHOUT
PREJUDICE TO ANY
PATENT RIGHTS OF TCL
AND MAY NOT BE
REPRODUCED OR USED
TO MANUFACTURE
ANYTHING SHOWN
THEREIN WITHOUT
WRITTEN PERMISSION
FROM TCL.

NO	REVISION	DATE	BY	TOLERANCES (EXCEPT AS NOTED)
				DECIMAL
				.XX ± NA
D	MONITOR FUSING NOT NEEDED	1/10/17	DSW	.XXX ± NA
C	3178 MONITOR TO CAP SIDE OF TR	9/8/14	DSW	FRACTIONAL ± NA
B	3088 MONITOR UPDATE	4/25/14	DSW	ANGULAR ± NA

TCL W132 N10611 GRANT DRIVE
GERMANTOWN, WI 53022

HARMONIC GUARD PASSIVE

480V SCHEMATIC
15HP TO 200HP OPEN AND ENCLOSED TYPE1,

DRN. BY DSW DATE 9/12/13 DWG. NO. 28697
SCALE NONE SIZE C SHT. 1 OF 1