

600V.
60 HZ.
LINE

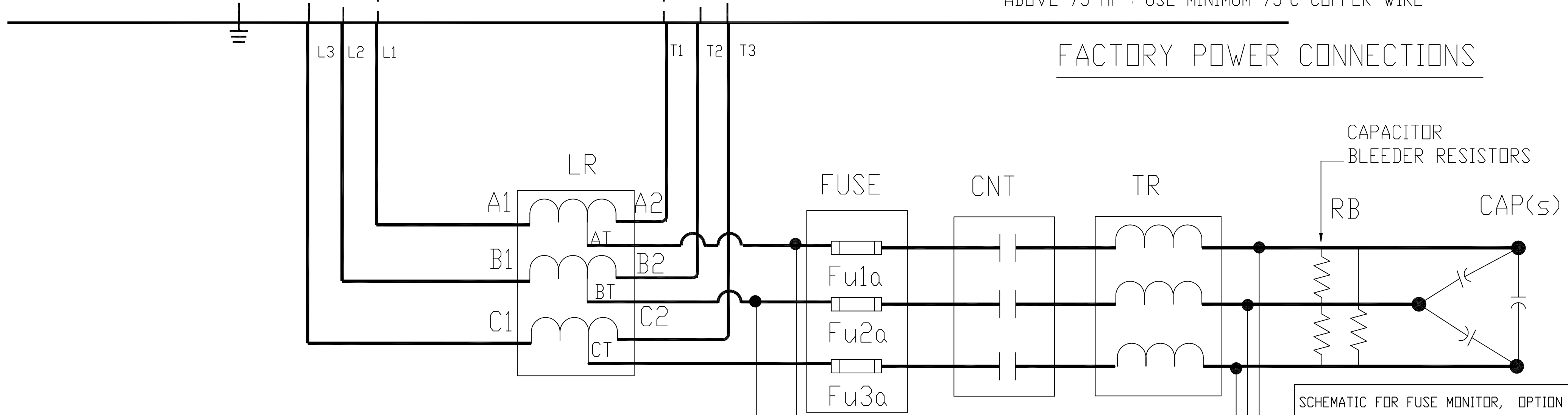
FUSED DISCONNECT
OR CIRCUIT BREAKER
(CUSTOMER SUPPLIED)

CUSTOMER CONNECTIONS

CUSTOMER CONNECTIONS

75 HP AND BELOW : USE MINIMUM 60°C COPPER WIRE
ABOVE 75 HP : USE MINIMUM 75°C COPPER WIRE

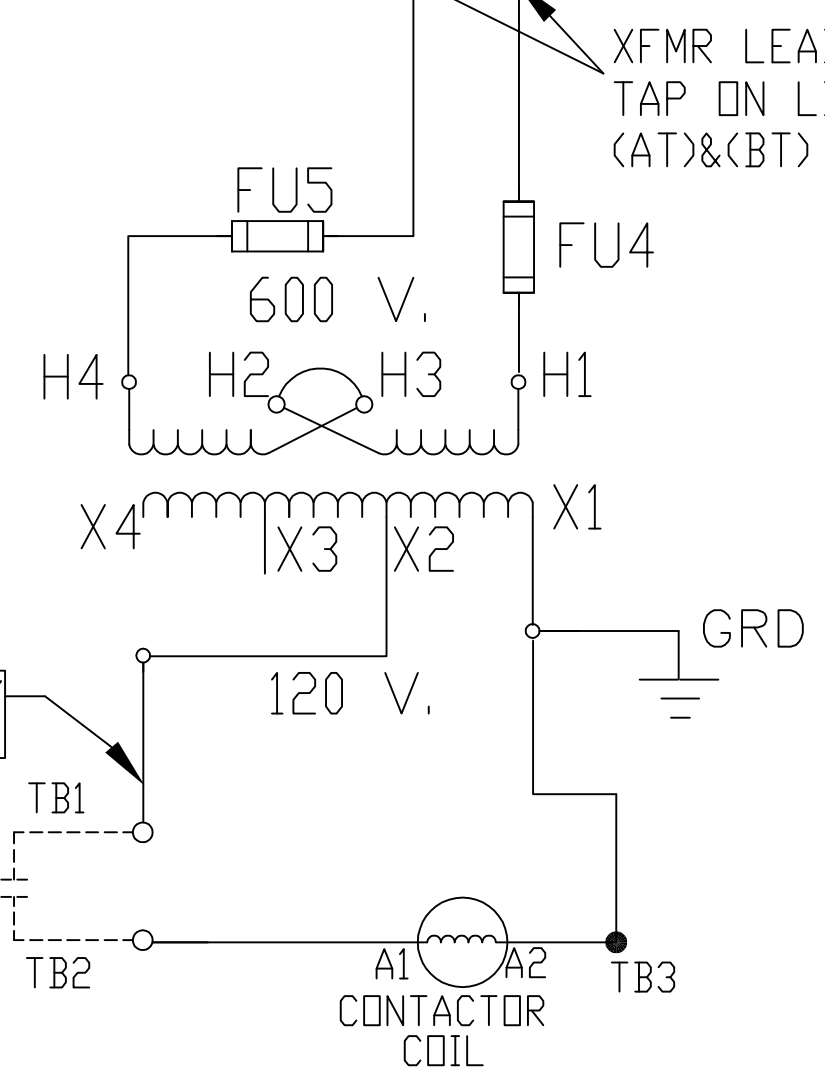
FACTORY POWER CONNECTIONS



SCHEMATIC FOR FUSE MONITOR, OPTION

CONTROL CONNECTIONS

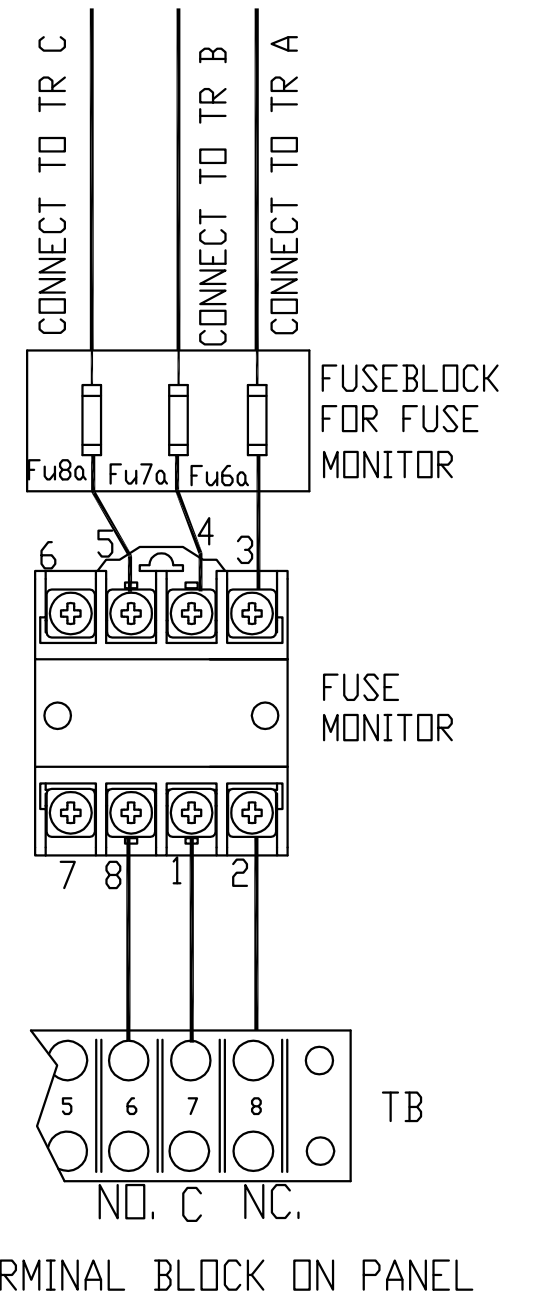
CONNECTIONS FOR FUSE MONITOR OPTION



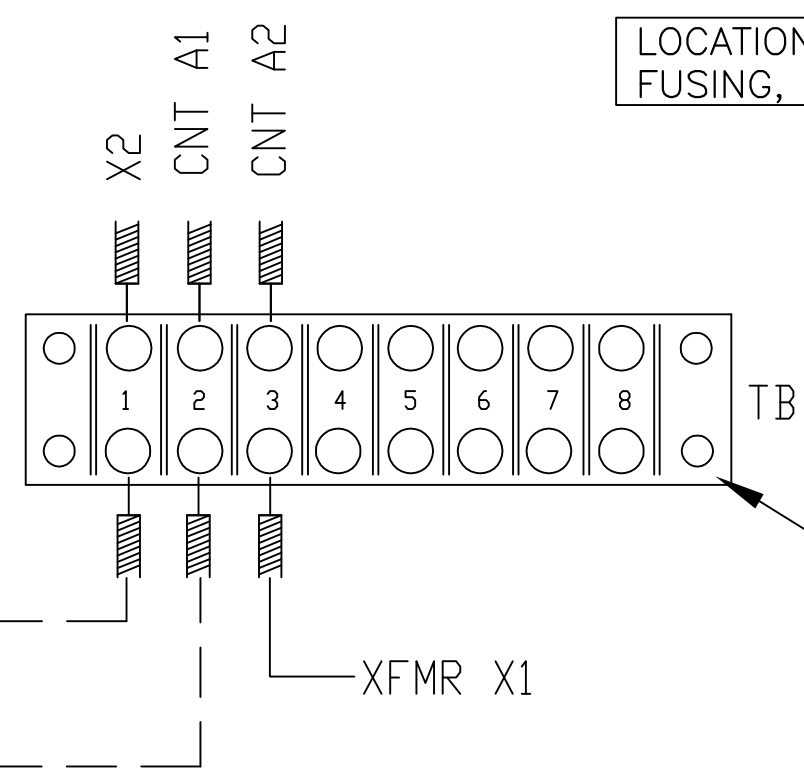
NOTE 1:
FOR PROPER OPERATION
CONNECT AUXILIARY N.O.
RUN RELAY CONTACT
FROM DRIVE

LOCATION OF SECONDARY
FUSING, IF PROVIDED.

SEE NOTE 1



TERMINAL BLOCK ON PANEL



TERMINAL BLOCK ON PANEL

SEE NOTE 1

TCI, LLC CLAIMS PROPRIETARY RIGHTS IN THE MATERIAL HEREIN DISCLOSED. IT IS SUPPLIED WITHOUT PREJUDICE TO ANY PATENT RIGHTS OF TCI AND MAY NOT BE REPRODUCED OR USED TO MANUFACTURE ANYTHING SHOWN THEREIN WITHOUT WRITTEN PERMISSION FROM TCI.	NO	REVISION	DATE	BY	TOLERANCES (EXCEPT AS NOTED)	<p>W132 N10611 GRANT DRIVE GERMANTOWN, WI 53022</p> <p>HARMONICGUARD PASSIVE</p> <p>600V SCHEMATIC</p> <p>15HP, 30HP TO 150HP, OPEN WITH CONTACTOR</p> <p>15HP, 30HP TO 150HP, TYPE1 WITH CONTACTOR</p>	
	A	3610 UPDATE TRTRANSFORMER CONNECTION	5/12/16	DSW	DECIMAL		.XX ± NA
							.XXX ± NA
							FRACTIONAL ± NA
					ANGULAR ± NA	DRN BY DSW DATE 3/17/15 DWG. NO. 29474-1	
					SCALE NONE SIZE C	SHT.1 of 1	