

600V.
60 HZ.
LINE

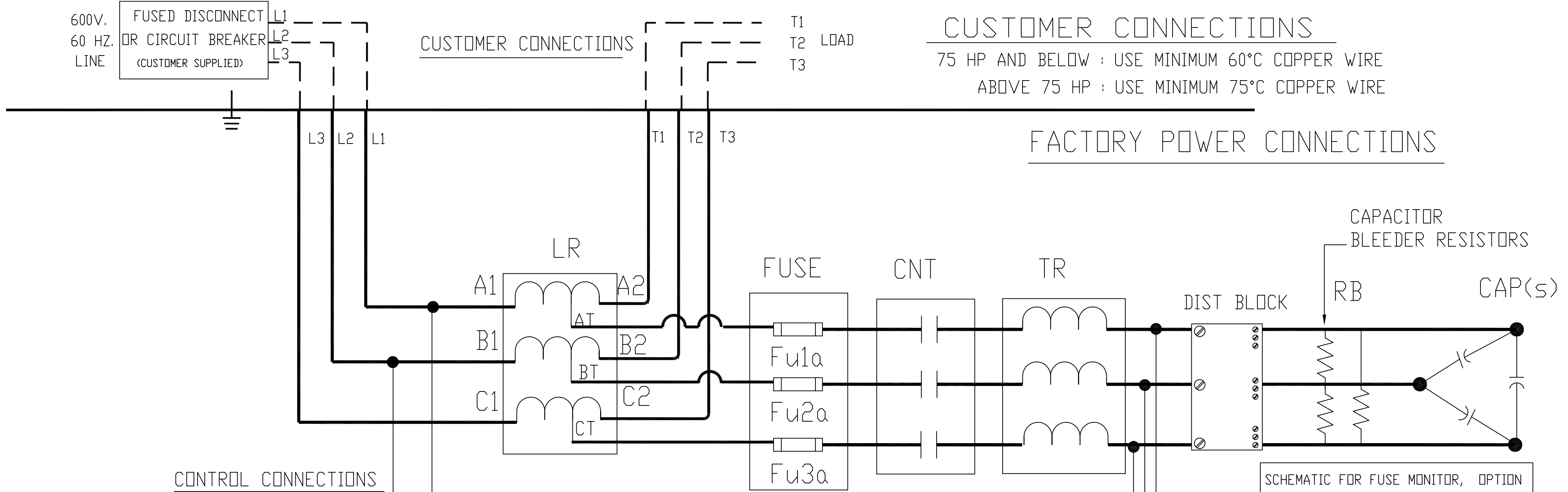
FUSED DISCONNECT
OR CIRCUIT BREAKER
(CUSTOMER SUPPLIED)

CUSTOMER CONNECTIONS

CUSTOMER CONNECTIONS

75 HP AND BELOW : USE MINIMUM 60°C COPPER WIRE
ABOVE 75 HP : USE MINIMUM 75°C COPPER WIRE

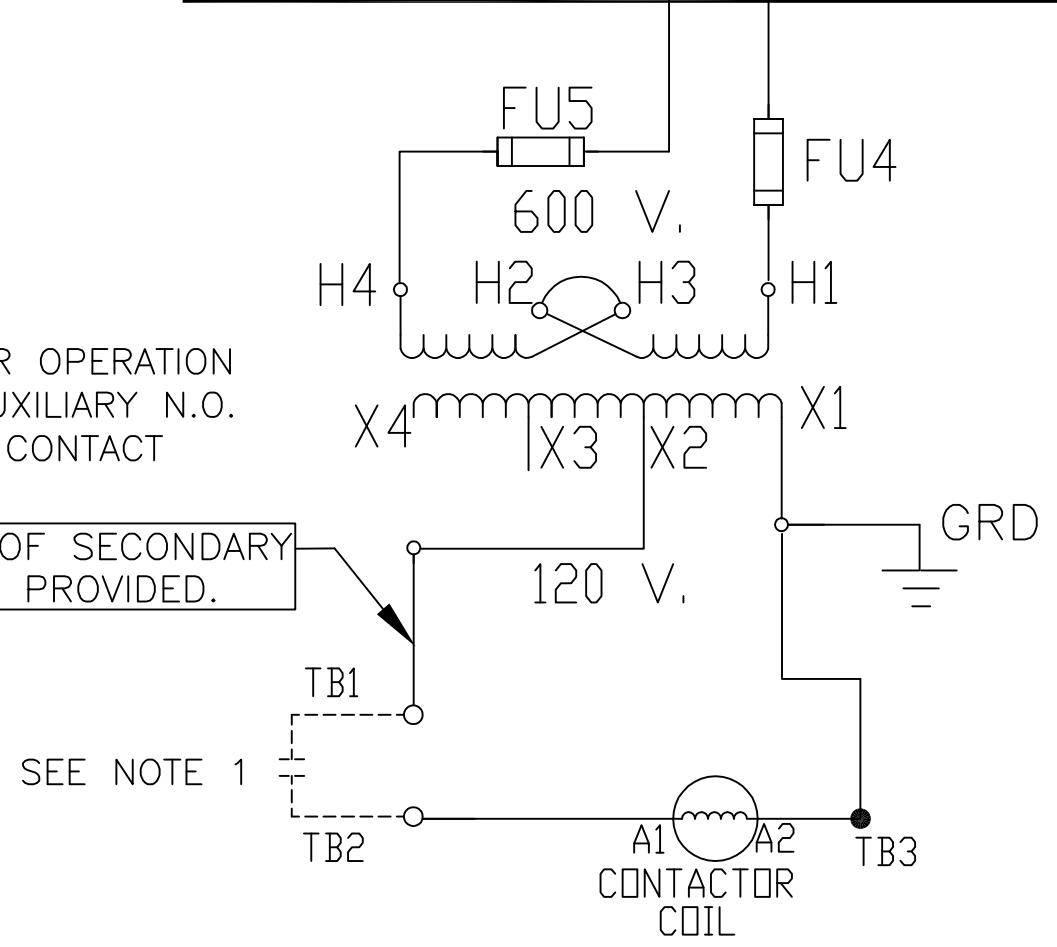
FACTORY POWER CONNECTIONS



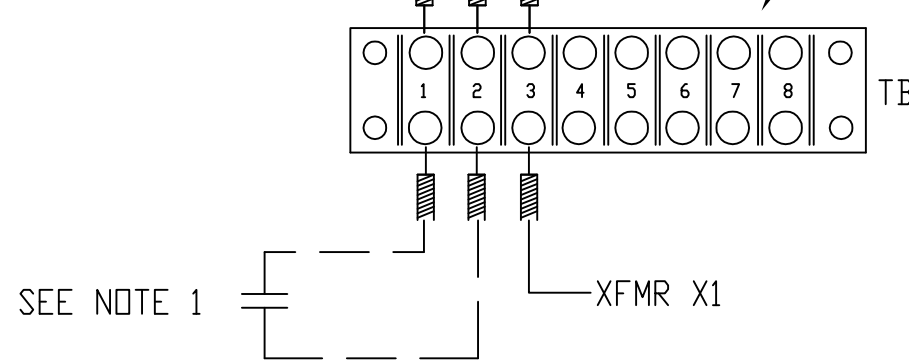
CONTROL CONNECTIONS

NOTE 1:
FOR PROPER OPERATION
CONNECT AUXILIARY N.O.
RUN RELAY CONTACT
FROM DRIVE

LOCATION OF SECONDARY
FUSING, IF PROVIDED.

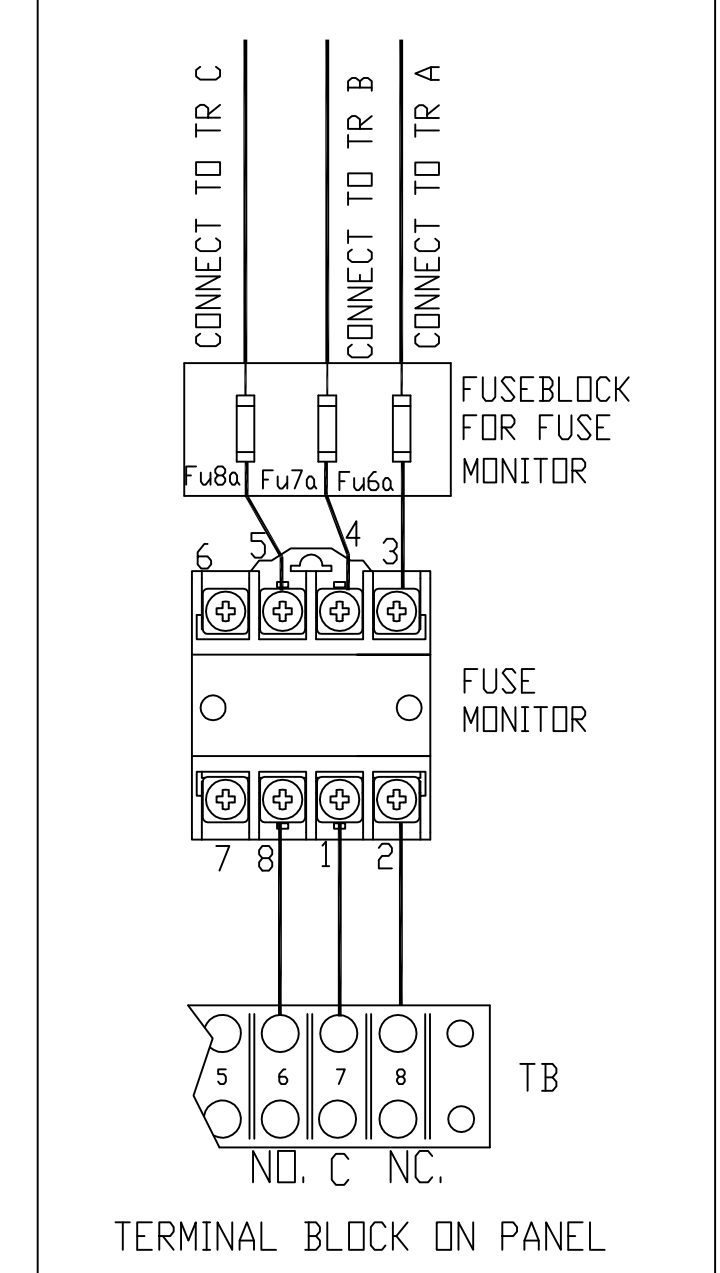


TERMINAL BLOCK ON PANEL



CONNECTIONS FOR
FUSE MONITOR
OPTION

SCHEMATIC FOR FUSE MONITOR, OPTION

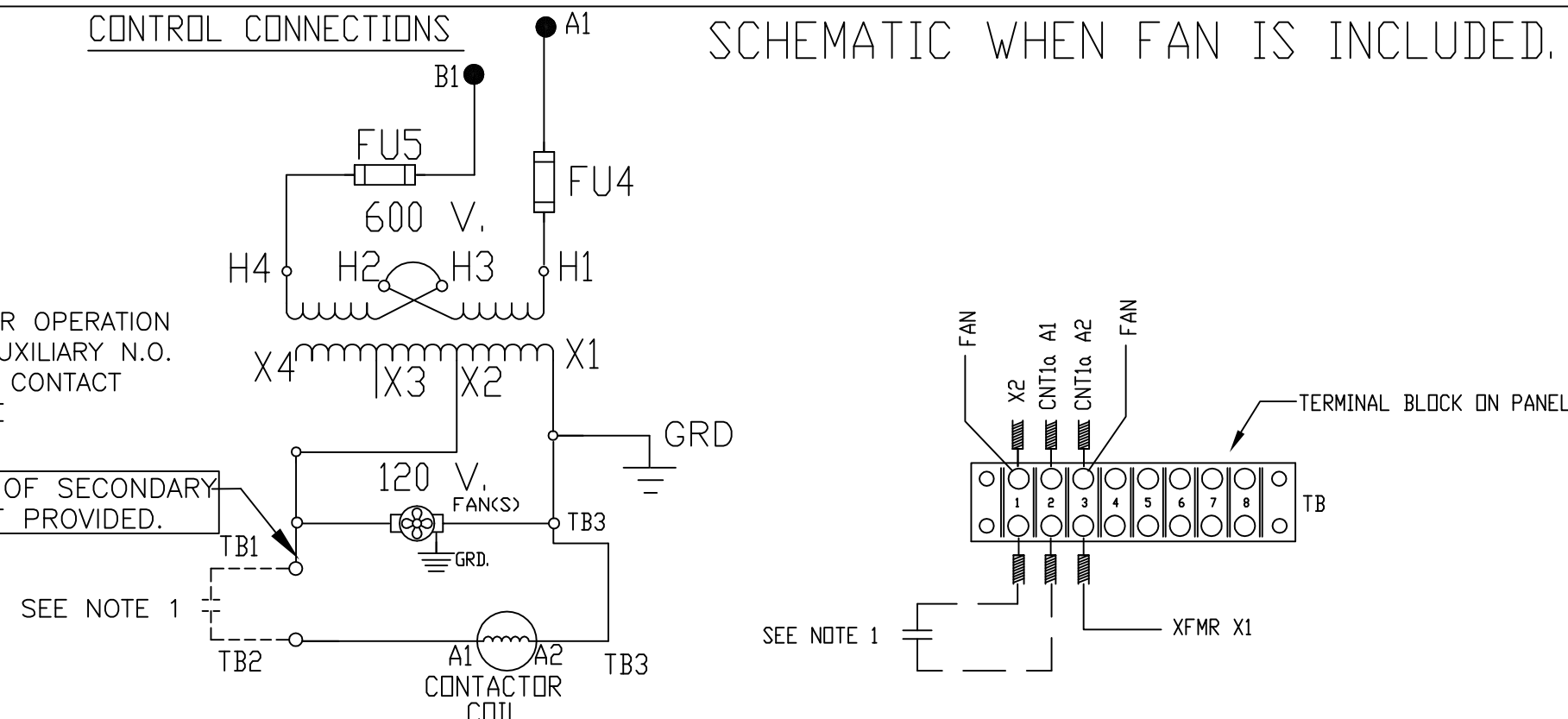


CONTROL CONNECTIONS

SCHEMATIC WHEN FAN IS INCLUDED.

NOTE 1:
FOR PROPER OPERATION
CONNECT AUXILIARY N.O.
RUN RELAY CONTACT
FROM DRIVE

LOCATION OF SECONDARY
FUSING, IF PROVIDED.



TERMINAL BLOCK ON PANEL

SEE NOTE 1

<p>TCI, LLC CLAIMS PROPRIETARY RIGHTS IN THE MATERIAL HEREIN DISCLOSED. IT IS SUPPLIED WITHOUT PREJUDICE TO ANY PATENT RIGHTS OF TCI AND MAY NOT BE REPRODUCED OR USED TO MANUFACTURE ANYTHING SHOWN THEREIN WITHOUT WRITTEN PERMISSION FROM TCI.</p>	NO	REVISION	DATE	BY	TOLERANCES (EXCEPT AS NOTED)	<p>TCI W132 N10611 GRANT DRIVE GERMANTOWN, WI 53022</p> <p>HARMONICGUARD PASSIVE 600V SCHEMATIC 200HP TO 900HP, OPEN WITH CONTACTOR 200HP TO 900HP, TYPE1 WITH CONTACTOR</p> <p>DRN. BY: DSW DATE: 3/17/15 DWG. NO.: 29474-2</p> <p>SCALE: NONE SIZE: C</p>
					DECIMAL	
					.XX ± NA	
					.XXX ± NA	
					FRACTIONAL ± NA	
				ANGULAR ± NA		