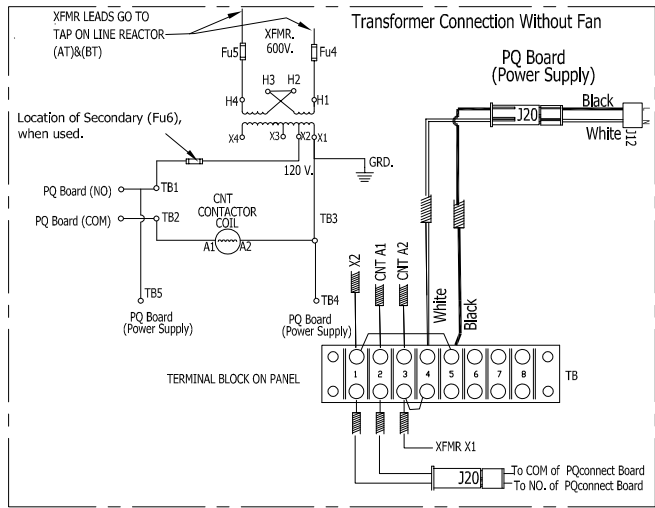
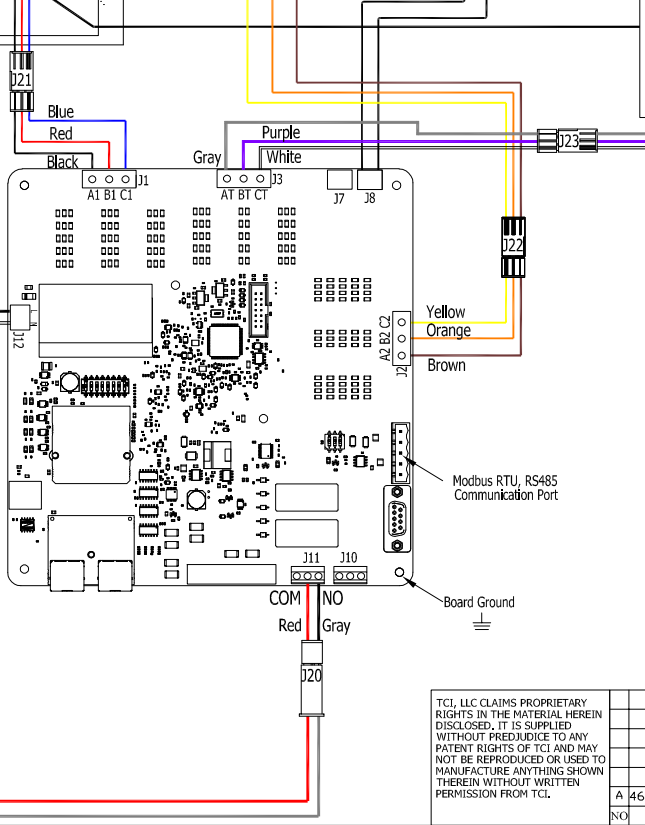
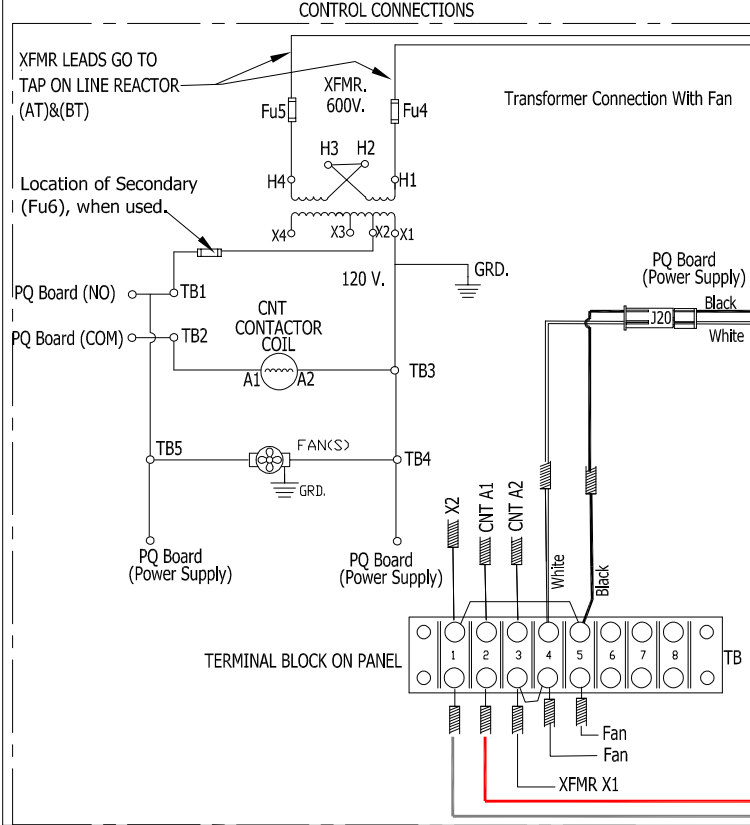
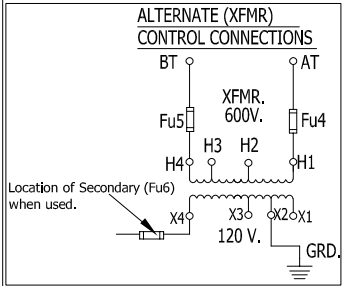
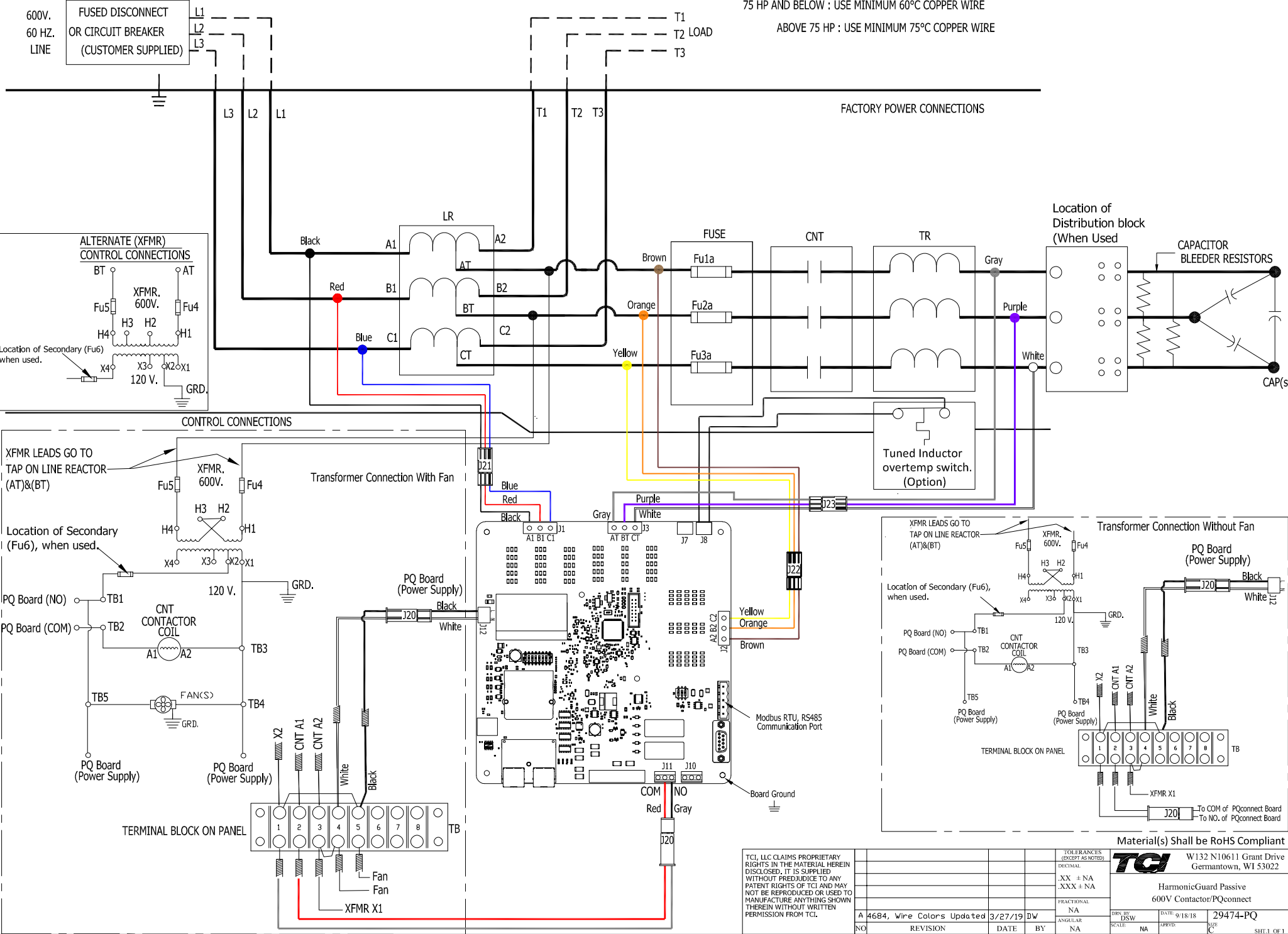


CUSTOMER CONNECTIONS

75 HP AND BELOW : USE MINIMUM 60°C COPPER WIRE
 ABOVE 75 HP : USE MINIMUM 75°C COPPER WIRE



Material(s) Shall be RoHS Compliant

TCI, LLC CLAIMS PROPRIETARY RIGHTS IN THE MATERIAL HEREIN DISCLOSED. IT IS SUPPLIED WITHOUT PREJUDICE TO ANY PATENT RIGHTS OF TCI AND MAY NOT BE REPRODUCED OR USED TO MANUFACTURE ANYTHING SHOWN THEREIN WITHOUT WRITTEN PERMISSION FROM TCI.				TOLERANCES (EXCEPT AS NOTED)			W132 N10611 Grant Drive Germantown, WI 53022	
				DECIMAL	XX + NA		HarmonicGuard Passive 600V Contactor/PQconnect	
A 4684, Wire Colors Updated 3/27/19 DW				FRACTIONAL	NA	DRY, I.D.S.W.	DATE 9/18/18	29474-PQ
NO REVISION				ANGULAR	NA	SCALE NA	APPROVED	SIZE C
								SH1.1 OF 1