

480V.
60 HZ.
LINE

FUSED DISCONNECT
OR CIRCUIT BREAKER
(CUSTOMER SUPPLIED)

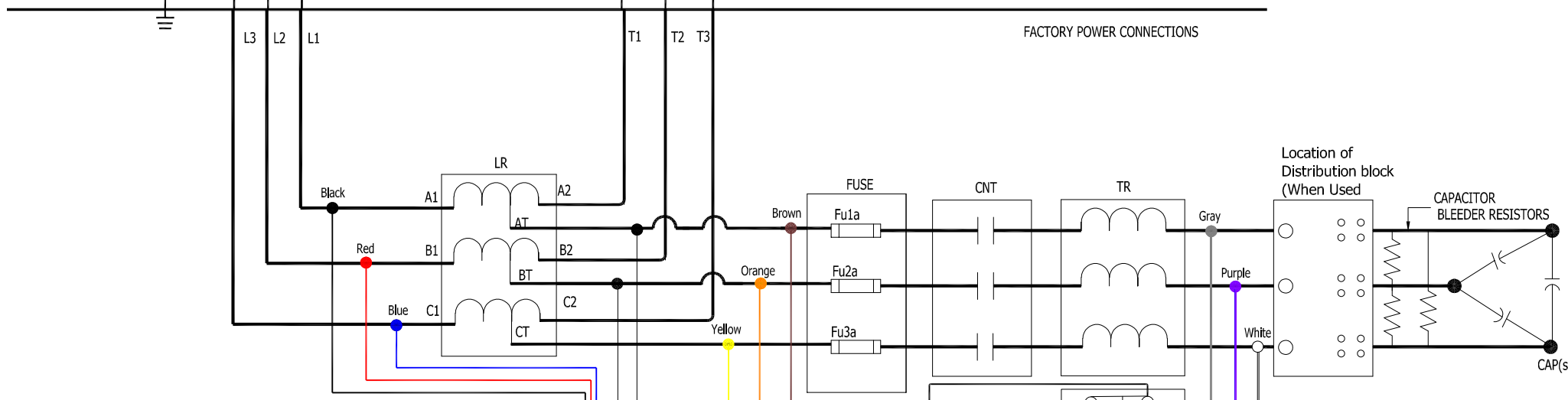
L1
L2
L3

CUSTOMER CONNECTIONS

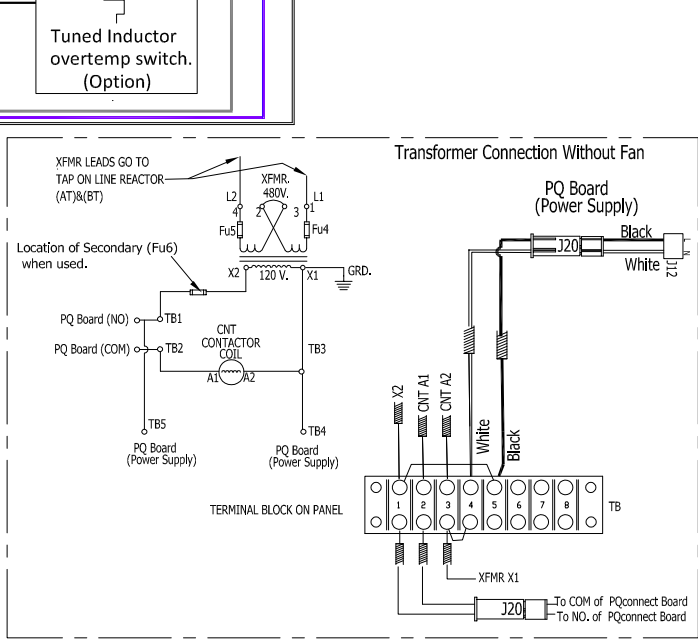
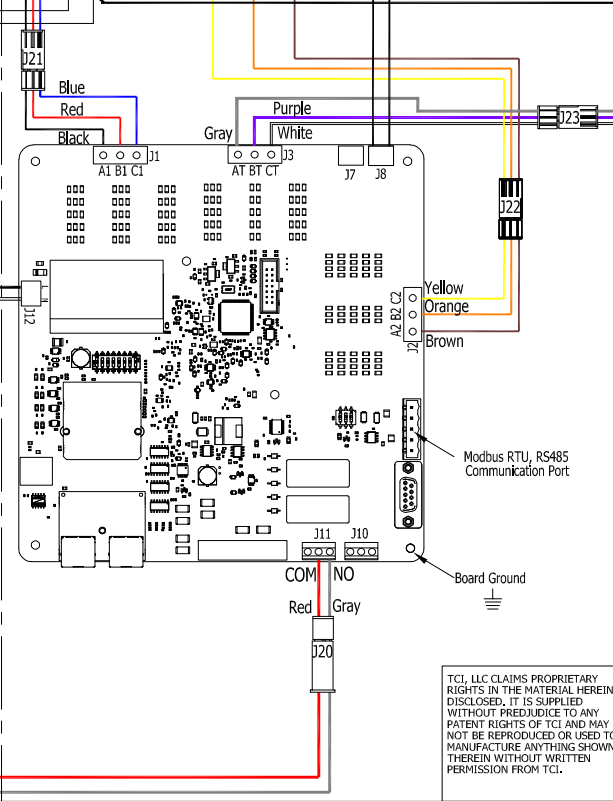
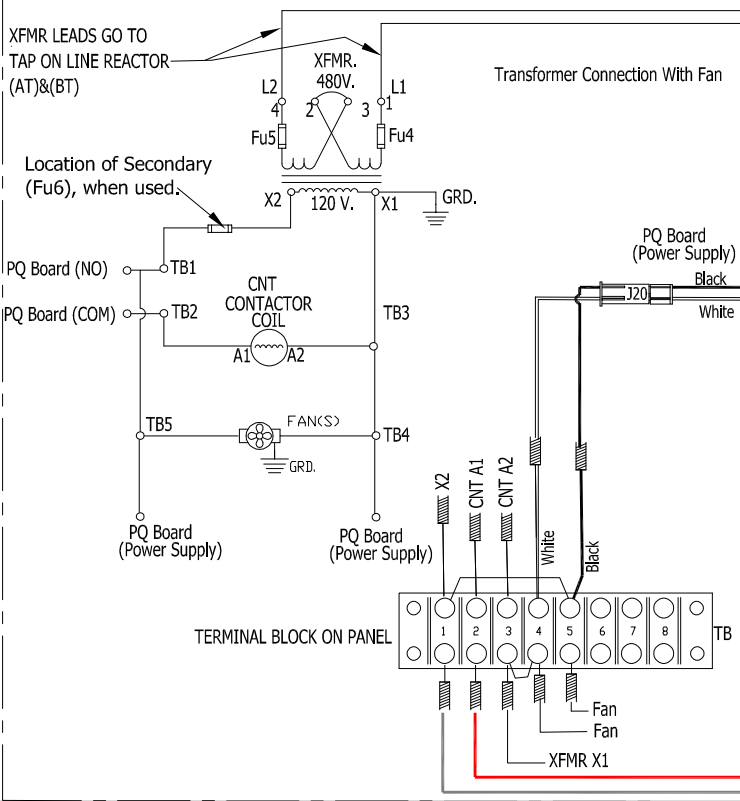
75 HP AND BELOW : USE MINIMUM 60°C COPPER WIRE
ABOVE 75 HP : USE MINIMUM 75°C COPPER WIRE

T1
T2 LOAD
T3

FACTORY POWER CONNECTIONS



CONTROL CONNECTIONS



TCL, LLC CLAIMS PROPRIETARY RIGHTS IN THE MATERIAL HEREIN DISCLOSED. IT IS SUPPLIED WITHOUT PREJUDICE TO ANY PATENT RIGHTS OF TCL AND MAY NOT BE REPRODUCED OR USED TO MANUFACTURE ANYTHING SHOWN THEREIN WITHOUT WRITTEN PERMISSION FROM TCL.

REV. BY	DATE	BY	SCALE	APPROVED	SIZE
A	3/27/19	DW			C
NO	REVISION	DATE	BY	SCALE	SIZE

Material(s) Shall be RoHS Compliant

TOLERANCES (EXCEPT AS NOTED)
DECIMAL
.XX + NA
.XXX + NA

FRACATIONAL
NA

DRY BY DSJ
SCALE NA

DATE 6/1/18
APPROVED

W132 N10611 Grant Drive
Germantown, WI 53022

HarmonicGuard Passive
480V Contactor/PQconnect

29597-PQ

SHT.1 OF 1