

480V.
60 HZ.
LINE

FUSED DISCONNECT
OR CIRCUIT BREAKER
(CUSTOMER SUPPLIED)

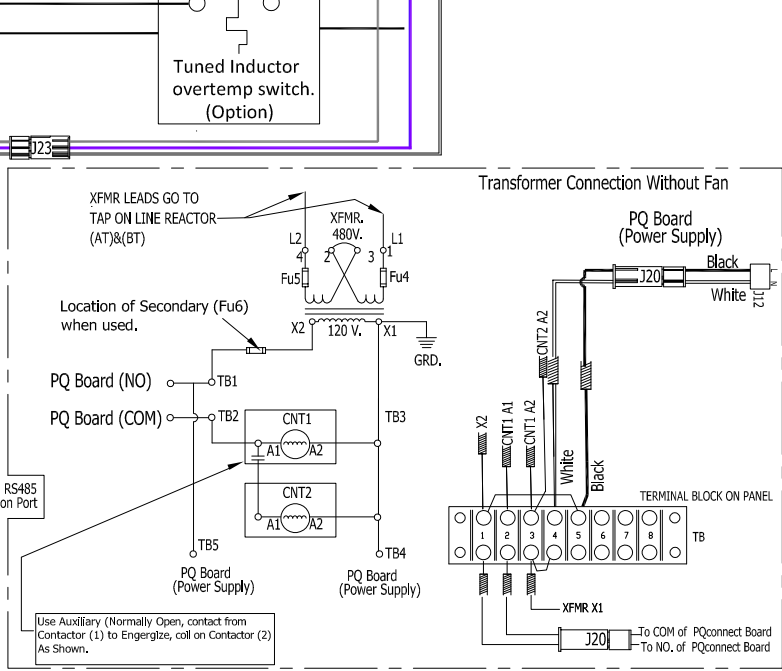
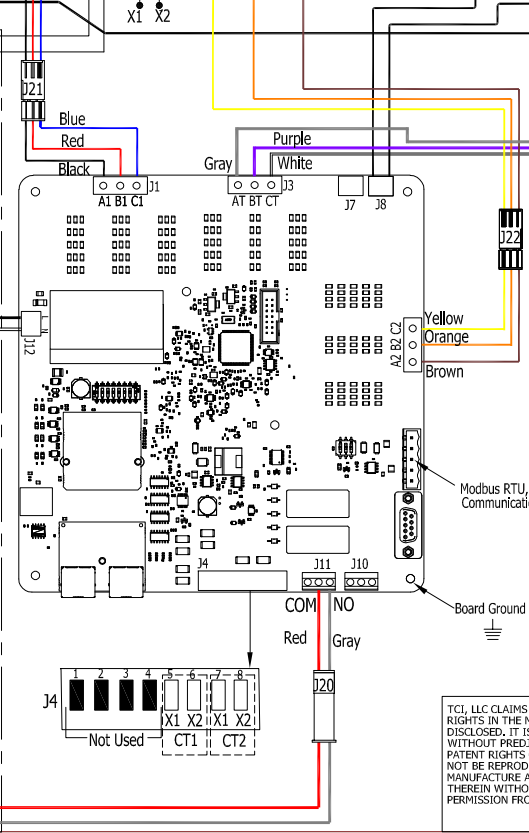
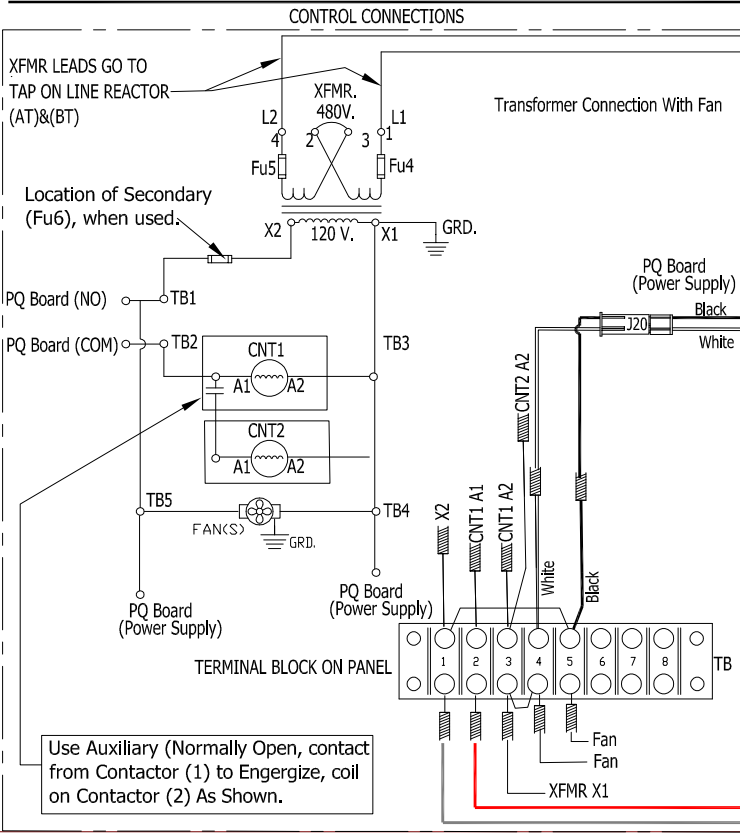
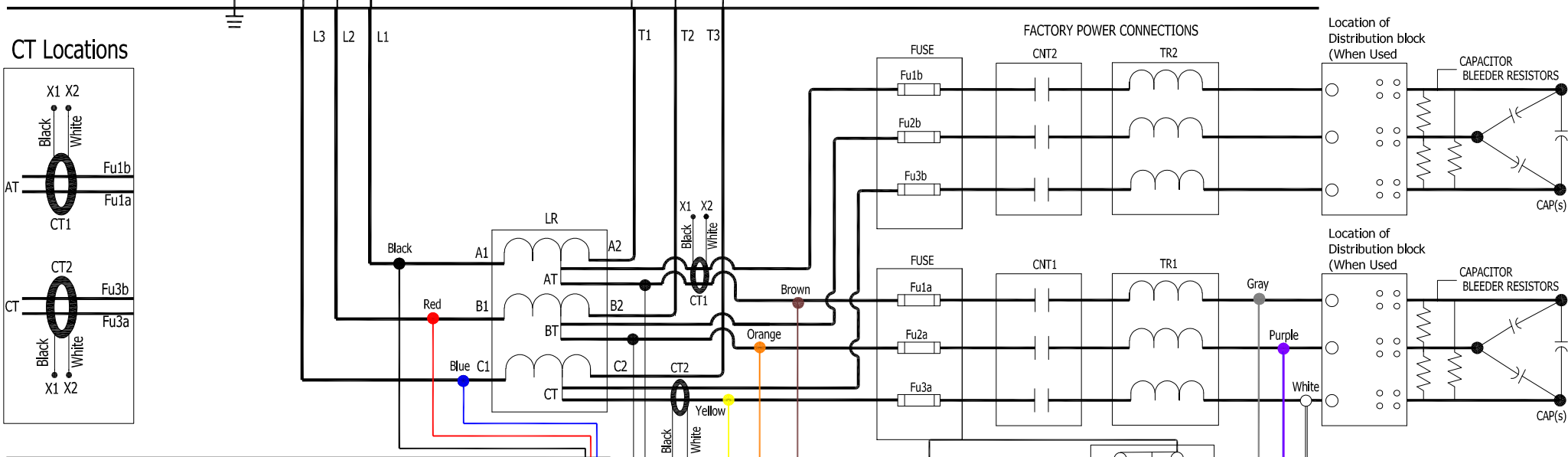
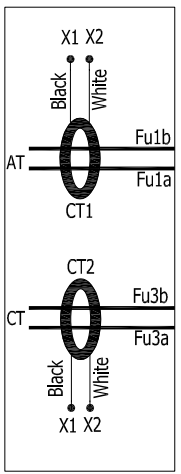
L1
L2
L3

T1
T2 LOAD
T3

CUSTOMER CONNECTIONS

75 HP AND BELOW : USE MINIMUM 60°C COPPER WIRE
ABOVE 75 HP : USE MINIMUM 75°C COPPER WIRE

CT Locations



TCL, LLC CLAIMS PROPRIETARY RIGHTS IN THE MATERIAL HEREIN DISCLOSED. IT IS SUPPLIED WITHOUT PREJUDICE TO ANY PATENT RIGHTS OF TCL AND MAY NOT BE REPRODUCED OR USED TO MANUFACTURE ANYTHING SHOWN THEREIN WITHOUT WRITTEN PERMISSION FROM TCL.

A 4684, Wire Colors Updated	3/27/19	DW	
NO	REVISION	DATE	BY

Material(s) Shall be RoHS Compliant

TOLERANCES (EXCEPT AS NOTED)		TCL	
DECIMAL		W132 N10611 Grant Drive Germantown, WI 53022	
.XX ± NA .XXX ± NA		HarmonicGuard Passive	
FRACTIONAL		480V, Two Trap Circuits Contactor/PQconnect	
NA	ANGULAR	REV. BY	DATE
NA	NA	DSW	6/1/18
SCALE	APPROV	SIZE	29597-PQ4
NA	NA	C	