

480V.
60 HZ.
LINE

FUSED DISCONNECT
OR CIRCUIT BREAKER
(CUSTOMER SUPPLIED)

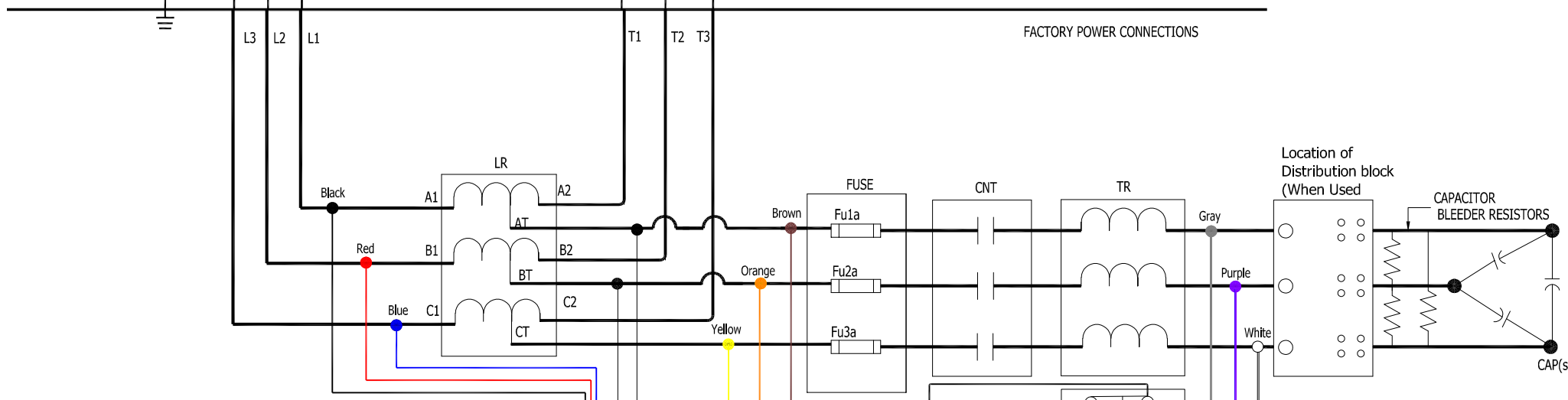
L1
L2
L3

CUSTOMER CONNECTIONS

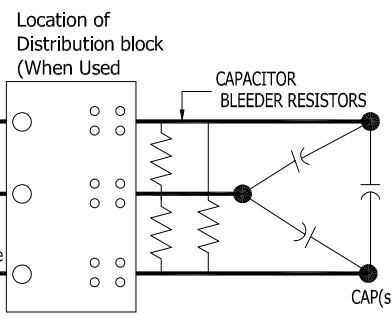
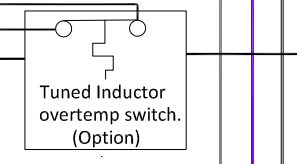
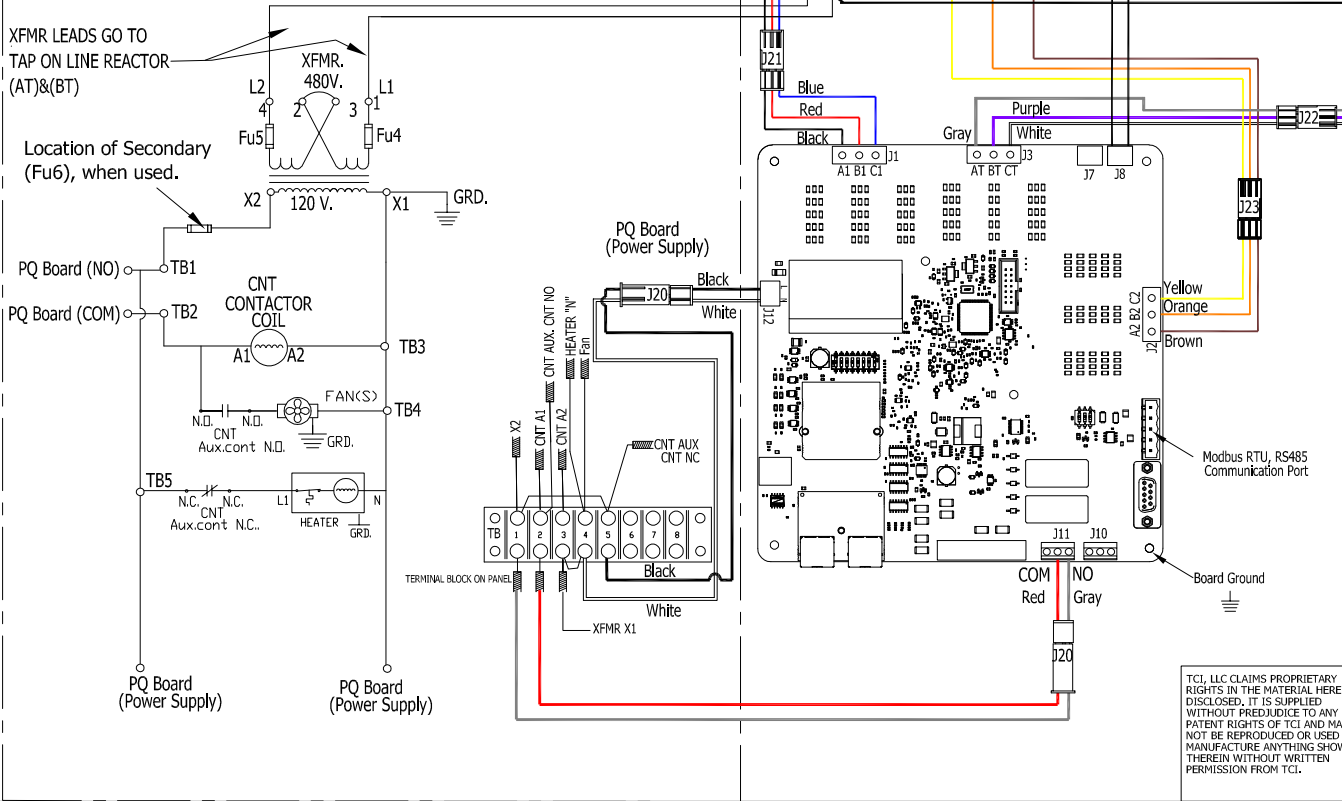
75 HP AND BELOW : USE MINIMUM 60°C COPPER WIRE
ABOVE 75 HP : USE MINIMUM 75°C COPPER WIRE

T1
T2 LOAD
T3

FACTORY POWER CONNECTIONS



CONTROL CONNECTIONS



TCI, LLC CLAIMS PROPRIETARY RIGHTS IN THE MATERIAL HEREIN DISCLOSED. IT IS SUPPLIED WITHOUT PREJUDICE TO ANY PATENT RIGHTS OF TCI AND MAY NOT BE REPRODUCED OR USED TO MANUFACTURE ANYTHING SHOWN THEREIN WITHOUT WRITTEN PERMISSION FROM TCI.				TOLERANCES (EXCEPT AS NOTED)				Material(s) Shall be RoHS Compliant			
				DECIMAL				W132 N10611 Grant Drive Germantown, WI 53022			
				.XX + NA .XXX + NA				HarmonicGuard Passive 480V Contactor/PQconnect/Heater			
B 4904_Aux CNT Updated				9/26/19 DW				FRACATIONAL			
A 4684, Wire Colors Updated				3/27/19 DW				NA			
NO				REVISION				DATE			
				DATE				BY			
				DATE				APPROVED			
				SCALE				NA			
				DATE				9/18/18			
				DATE				29597-PQH			
				DATE				C			
				DATE				SHT.1 OF 1			