

600V.
60 HZ.
LINE

FUSED DISCONNECT
OR CIRCUIT BREAKER
(CUSTOMER SUPPLIED)

CUSTOMER CONNECTIONS

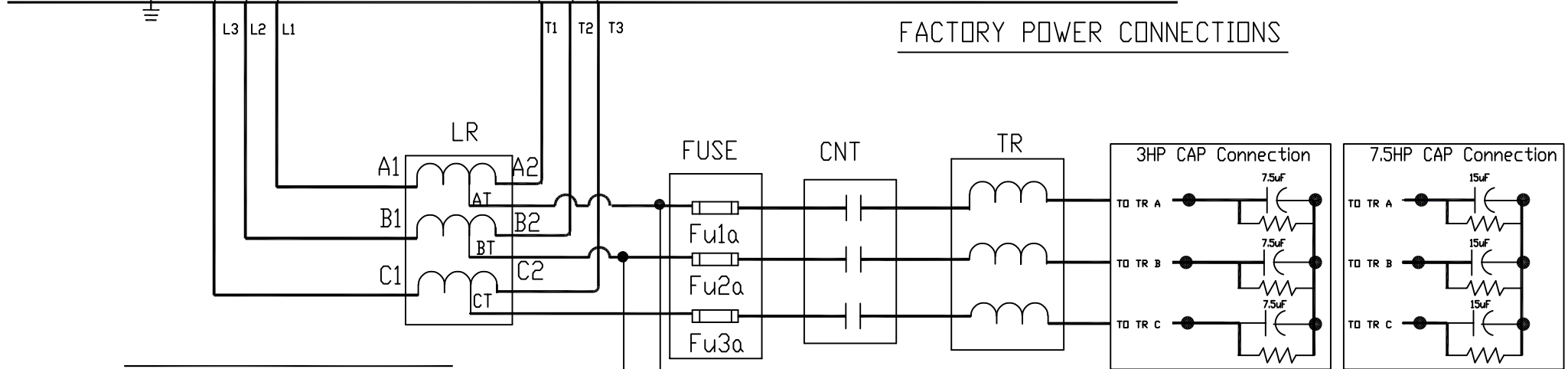
L1
L2
L3

T1
T2 LOAD
T3

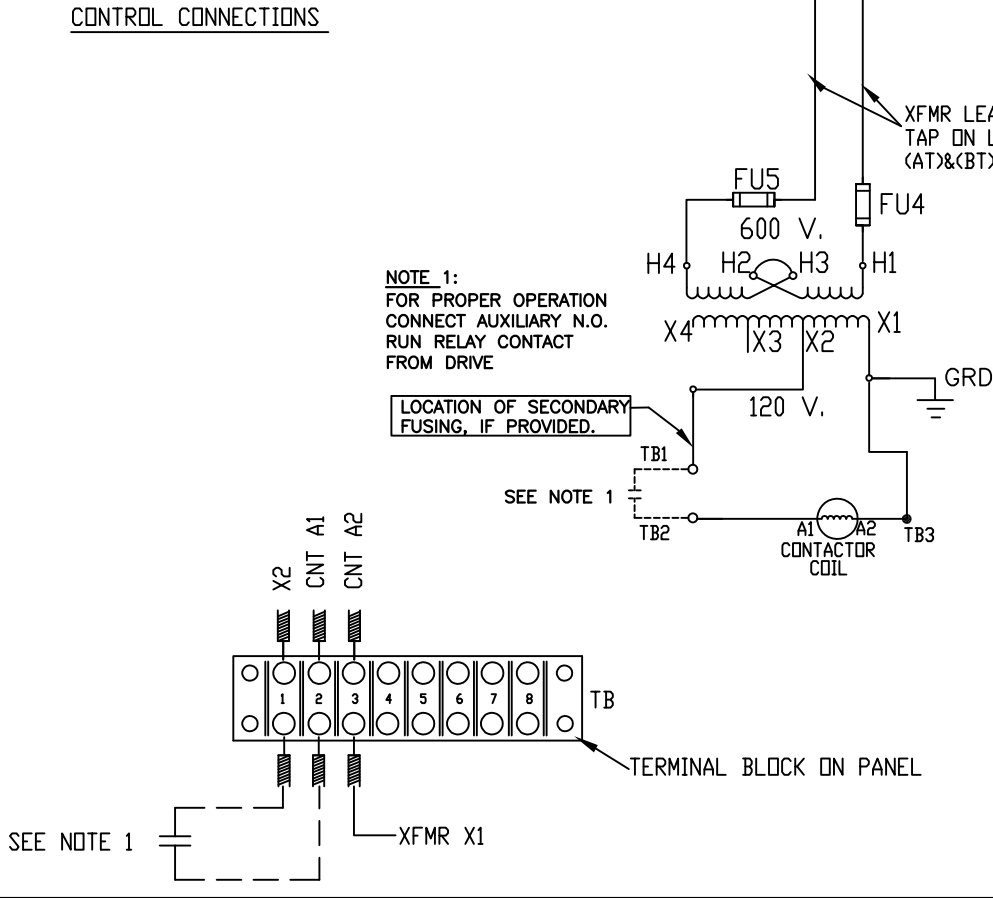
CUSTOMER CONNECTIONS

75 HP AND BELOW : USE MINIMUM 60°C COPPER WIRE
ABOVE 75 HP : USE MINIMUM 75°C COPPER WIRE

FACTORY POWER CONNECTIONS



CONTROL CONNECTIONS

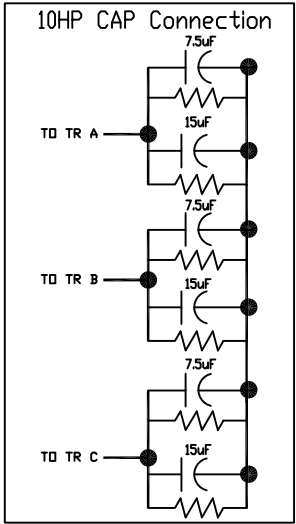
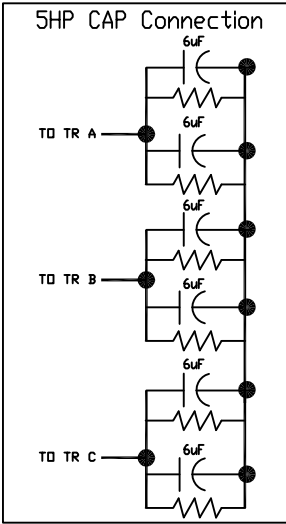
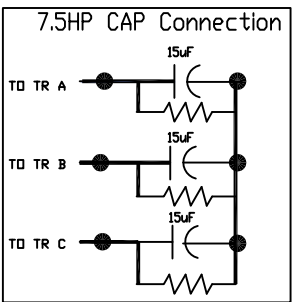
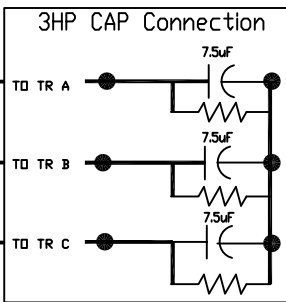


NOTE 1:
FOR PROPER OPERATION
CONNECT AUXILIARY N.O.
RUN RELAY CONTACT
FROM DRIVE

LOCATION OF SECONDARY
FUSING, IF PROVIDED.

SEE NOTE 1

XFMR LEADS GO TO
TAP ON LINE REACTOR
(AT)&(BT)



SEE NOTE 1

TERMINAL BLOCK ON PANEL

TCL, LLC CLAIMS PROPRIETARY RIGHTS IN THE MATERIAL HEREIN DISCLOSED, IT IS SUPPLIED WITHOUT PREJUDICE TO ANY PATENT RIGHTS OF TCL AND MAY NOT BE REPRODUCED OR USED TO MANUFACTURE ANYTHING SHOWN THEREIN WITHOUT WRITTEN PERMISSION FROM TCL.				TOLERANCES EXCEPT AS NOTED BELOW	W132 N10611 GRANT DRIVE GERMANTOWN, WI 53022 HARMONICGUARD PASSIVE 600V SCHEMATIC 3HP TO 10HP OPEN/Type 1 WITH CONTACTOR DWS BY DSW DATE 6/26/19 DWG NO 31663-1 SCALE NONE SIZE C SHT.1 OF 1
				.XX ± NA	
				.XXX ± NA	
				FRACTIONAL ± NA ANGULAR ± NA	
	A	As Designed	6/26/19	DSW	
	NO	REVISION	DATE	BY	